
National Plumbing Code of Canada 2005

**Issued by the
Canadian Commission on Building and Fire Codes
National Research Council of Canada**

First Edition 1970
Second Edition 1975
Third Edition 1977
Fourth Edition 1980
Fifth Edition 1985
Sixth Edition 1990
Seventh Edition 1995
Eighth Edition 2005

ISBN 0-660-19430-9
NR24-7/2-2005E

NRCC 47668

© National Research Council of Canada 2005
Ottawa
World Rights Reserved

Printed in Canada

Third Printing
Includes revisions and errata released on December 1, 2007
and June 20, 2008

2 4 6 8 10 9 7 5 3 1

Aussi disponible en français :
Code national de la plomberie – Canada 2005
CNRC 47668F
ISBN 0-660-97029-5

Table of Contents

Preface

Relationship of the NPC to Standards Development and Conformity Assessment

Canadian Commission on Building and Fire Codes and Standing Committees

Revisions and Errata

Division A Compliance, Objectives and Functional Statements

- Part 1 Compliance
- Part 2 Objectives
- Part 3 Functional Statements
- Appendix A Explanatory Material

Division B Acceptable Solutions

- Part 1 General
- Part 2 Plumbing Systems
- Appendix A Explanatory Material

Division C Administrative Provisions

- Part 1 General
- Part 2 Administrative Provisions
- Appendix A Explanatory Material

Index

Preface

The National Plumbing Code of Canada 2005, together with the National Building Code of Canada 2005 and the National Fire Code of Canada 2005, is an objective-based National Model Code that can be adopted by provincial and territorial governments.

In Canada, provincial and territorial governments have the authority to enact legislation that regulates the design and installation of plumbing systems within their jurisdictions. This legislation may include the adoption of the National Plumbing Code (NPC) without change or with modifications to suit local needs, and the enactment of other laws and regulations regarding plumbing system design and installation, including the requirements for professional involvement.

The NPC is a model code that helps promote consistency among provincial and territorial plumbing codes. Persons involved in the design or installation of plumbing systems should consult the provincial or territorial government concerned to find out which plumbing code is applicable.

This edition of the NPC succeeds the 1995 edition.

National Plumbing Code of Canada 2005

The National Plumbing Code (NPC) sets out technical provisions for the design and installation of new plumbing systems. It also applies to the extension, alteration, renewal and repair of existing plumbing systems.

The NPC establishes provisions to address the following three objectives, which are fully described in Division A of the Code:

- safety
- health
- protection of buildings and facilities from water and sewage damage

Code provisions do not necessarily address all the characteristics of buildings and facilities that might be considered to have a bearing on the Code's objectives. Through the extensive consensus process used to develop and maintain the National Model Codes (see the section entitled Development of the National Model Codes), the code-user community has decided which characteristics should be regulated through the NPC.

Because the NPC is a model code, its provisions can be considered as the minimum acceptable measures required to adequately achieve the above-listed objectives, as recommended by the Canadian Commission on Building and Fire Codes. They become minimum acceptable provisions once they are adopted and passed into law or regulation by an authority having jurisdiction: i.e. the provisions represent the minimum level of performance required to achieve the objectives that is acceptable to the adopting authority.

Plumbing code users are also involved in the development of the NPC and they help determine the content. The code development process is described in the section entitled Development of the National Model Codes.

The NPC is a model code that, when adopted or adapted by a province or territory, becomes a regulation. It is not a textbook on plumbing system design or installation. The design of a technically sound plumbing system depends upon many factors beyond simple

compliance with plumbing regulations. Such factors include the availability of knowledgeable practitioners who have received appropriate education, training and experience and have some degree of familiarity with the principles of good plumbing practice and experience using textbooks, reference manuals and technical guides.

The NPC does not list acceptable proprietary plumbing products. It establishes the criteria that plumbing materials, products and assemblies must meet. Some of these criteria are explicitly stated in the NPC while others are incorporated by reference to material or product standards published by standards development organizations. Only those portions of the standards related to the objectives of this Code are mandatory parts of the NPC.

Code Development

Development of the National Model Codes

The Canadian Commission on Building and Fire Codes (CCBFC) is responsible for the content of the National Model Codes. The CCBFC is an independent body made up of volunteers from across the country and from all facets of the code-user community. Members of the CCBFC and its standing committees include builders, engineers, architects, building owners, building operators, fire and building officials, manufacturers and representatives of general interests.

The CCBFC is advised on scope, policy and technical issues pertaining to the Codes by the Provincial/Territorial Policy Advisory Committee on Codes (PTPACC), which is a committee of senior representatives from provincial/territorial ministries responsible for the regulation of buildings, fire safety and plumbing in their jurisdictions. The PTPACC was created by the provinces and territories, with provision of guidance to the CCBFC as one of its main functions. Through the PTPACC and its subcommittees on building, fire and plumbing regulation, the provinces and territories are engaged in every phase of the model code development process.

The Canadian Codes Centre of the National Research Council's Institute for Research in Construction provides technical and administrative support to the CCBFC and its standing committees. The National Research Council publishes the National Model Codes and periodic revisions to the Codes to address pressing issues.

The broader code-user community also makes a significant contribution to the model code development process by submitting requests for changes or additions to the Codes and by commenting on the collected proposed changes during the public consultations that precede each new edition.

The CCBFC takes into consideration the advice received from the provinces and territories as well as code users' comments at each stage of code development. The scope and content of the Model Codes are determined on a consensus basis, which involves the review of technical, policy and practical concerns and debate on the implications of these concerns.

More information on the code development process is available on the Internet at www.nationalcodes.ca. Printed copies of this information may also be requested from the Secretary of the CCBFC, whose address is provided at the end of this Preface.

Code Provisions

Every NPC provision must address at least one of the Code's three stated objectives, namely:

- safety
- health
- protection of buildings and facilities from water and sewage damage

In dealing with proposed changes or additions to any of the National Model Codes, the CCBFC considers many issues such as the following:

- Does the proposed provision provide the minimum level of performance—and no more than the minimum—needed to achieve the Code’s objectives?
- Will persons responsible for code compliance be able to act on or implement the provision using commonly accepted practices?
- Will enforcement agencies be able to enforce the provision?
- Are the costs of implementing the provision justifiable?
- Have the potential policy implications of the provision been identified and addressed?
- Is there broad consensus on this provision among code users representing all facets of the plumbing system design and construction industries, as well as among provincial and territorial governments?

Guidelines for requesting changes to the NPC are available on the Internet at www.nationalcodes.ca. Printed copies of the guidelines may also be requested from the Secretary of the CCBFC, whose address is provided at the end of this Preface.

Objective-Based Code Format

The National Plumbing Code (NPC) is published in an objective-based code format for the first time in the 2005 edition. This is the result of ten years of work on an initiative that arose out of the strategic plan adopted by the Canadian Commission on Building and Fire Codes (CCBFC) in 1995.

The objective-based code format organizes the NPC into three Divisions:

- Division A, which defines the scope of the Code and contains the objectives, the functional statements and the conditions necessary to achieve compliance;
- Division B, which contains acceptable solutions (formerly referred to as “technical requirements”) deemed to satisfy the objectives and functional statements listed in Division A; and
- Division C, which contains administrative provisions.

A more complete description of this division-based structure is included in the section entitled Structure of Objective-Based Codes.

Apart from the inclusion of changes resulting from the normal code development process, the provisions in Division B are essentially the same as the technical provisions found in the 1995 edition of the NPC. However, in the 2005 NPC, most provisions in Division B are linked to:

- one or more objectives (such as safety or health) that individual provisions help to address, and
- one or more functional statements (statements on the functions of the plumbing system that a particular provision helps to achieve).

In addition, each Code provision is linked to two new types of explanatory material:

- intent statements (detailed statements of the specific intent of the provision), and
- application statements (detailed statements of what the provision applies to).

Objectives

The NPC’s objectives are fully defined in Section 2.2. of Division A. Most of the top-level objectives have two levels of sub-objectives.

The objectives describe, in very broad terms, the overall goals that the NPC’s provisions are intended to achieve. They serve to define the boundaries of the subject areas the Code addresses. However, the Code does not deal with all the issues that might be considered to fall within those boundaries.

The objectives describe undesirable situations and their consequences, which the Code aims to avoid occurring in plumbing systems. The wording of the definitions of the objectives includes two key phrases: “limit the probability” and “unacceptable risk.” The phrase “limit the probability” is used to acknowledge that the NPC cannot entirely prevent those undesirable situations from happening. The phrase “unacceptable risk”

acknowledges that the NPC cannot eliminate all risk: the “acceptable risk” is the risk remaining once compliance with the Code has been achieved.

The objectives are entirely qualitative and are not intended to be used on their own in the design and approval processes.

Functional Statements

The NPC’s functional statements are listed in Section 3.2. of Division A.

The functional statements are more detailed than the objectives: they describe conditions in the plumbing system that help satisfy the objectives. The functional statements and the objectives are interconnected: there may be several functional statements related to any one objective and a given functional statement may describe a function of the plumbing system that serves to achieve more than one objective. There is a table at the end of Part 2 in Division B listing the sets of functional statements and objectives that have been attributed to provisions or portions of provisions in that Part.

Like objectives, functional statements are entirely qualitative and are not intended to be used on their own in the design and approval processes.

Intent Statements

Intent statements explain, in plain language, the basic thinking behind each Code provision contained in Division B. Each intent statement, which is unique to the provision with which it is associated, explains how that provision helps to achieve its attributed objectives and functional statements. Like the objectives, the intent statements are expressed in terms of risk avoidance. They offer insight into the views of the responsible standing committees on what the Code provisions are intended to achieve.

The intent statements serve explanatory purposes only and do not form an integral part of the Code provisions: as such, they are similar in function to appendix notes. Due to the sheer volume of intent statements—hundreds for the NPC alone—they are only published in the electronic version of the Code as well as in a separate document entitled “User’s Guide – NPC 2005, Application and Intent Statements,” which is only available on CD-ROM.

Application Statements

Application statements summarize what each Code provision does and does not apply to. They provide greater detail than the application information found in the body of the Code.

The application statements serve explanatory purposes only and do not form an integral part of the Code provisions: as such, they are similar in function to appendix notes. Due to the sheer volume of application statements—hundreds for the NPC alone—they are only published in the electronic version of the Code as well as in a separate document entitled “User’s Guide – NPC 2005, Application and Intent Statements,” which is only available on CD-ROM.

All this additional information—objectives and functional, intent and application statements—is intended to facilitate the implementation of the Code in three ways:

- **Clarity of intent:** The objectives, functional statements and intent statements linked to a Code provision clarify the reasoning behind that provision and facilitate understanding of what must be done to satisfy that provision. This added information may also help avoid disputes between practitioners and officials over these types of issues.
- **Clarity of application:** The application statement of a provision helps clarify whether the provision applies in a given situation.
- **Flexibility:** The additional information allows for flexibility in Code compliance. A person seeking to propose a new method or material not described or covered in the

Code will be able to use the added information to understand the expected level of performance that their alternative solution must achieve to satisfy the Code.

Structure of Objective-Based Codes

The National Plumbing Code (NPC) is organized into three Divisions.

Division A: Compliance, Objectives and Functional Statements

Division A defines the scope of the NPC and presents the objectives that the Code addresses and the functions the plumbing system must perform to help to satisfy those objectives.

Division A cannot be used on its own as a basis for designing and installing a plumbing system or for evaluating a plumbing system's compliance with the Code.

Division B: Acceptable Solutions

The term "requirements," which was used to describe the technical provisions contained in the 1995 National Plumbing Code, has been replaced with the term "acceptable solutions" in the 2005 National Plumbing Code. The change in terminology reflects the principle that plumbing codes establish an acceptable level of risk and underlines the fact that a code cannot describe all possible valid design and installation options. The new term provokes the question "To whom are these solutions considered acceptable?" As indicated previously in this Preface, the acceptable solutions represent the minimum level of performance that will satisfy the NPC's objectives and that is acceptable to an authority that adopts the NPC into law or regulation.

Division B of the 2005 NPC contains most of the provisions from the 1995 NPC, which code users are familiar with, together with the changes and additions resulting from the normal updating process. Compliance with the acceptable solutions is deemed to automatically satisfy the linked Division A objectives and functional statements.

Most provisions in Division B—now acceptable solutions—are linked to at least one objective and functional statement found in Division A. These linkages play an important role in allowing objective-based codes to accommodate innovation.

It is expected that the majority of Code users will primarily follow the acceptable solutions given in Division B and that they will consult Division A only in cases where it may serve to clarify the application of Division B's provisions to a particular situation or when they are considering an alternative solution.

Division C: Administrative Provisions

Division C includes the administrative provisions formerly found in Section 1 of the 1995 National Plumbing Code as well as some new administrative provisions. Many provinces and territories establish their own administrative provisions upon adopting or adapting the NPC; therefore having all the administrative provisions in one Division facilitates their customization to suit jurisdictional needs.

Relationship between Division A and Division B

Sentence 1.2.1.1.(1) of Division A is a very important new sentence: it is a precise statement of the relationship between Divisions A and B and is central to the concept of objective-based codes.

- 1)** Compliance with this Code shall be achieved by
 - a) complying with the applicable acceptable solutions in Division B (see Appendix A), or
 - b) using alternative solutions that will achieve at least the minimum level of performance required by Division B in the areas defined by the objectives and functional statements attributed to the applicable acceptable solutions (see Appendix A).

Clause (a) makes it clear that the acceptable solutions in Division B are automatically deemed to satisfy the linked objectives and functional statements of Division A.

Clause (b) introduces the new term “alternative solutions,” which echoes the concept of “equivalents” described in the 1995 NPC. This Clause makes it clear that alternative solutions can be used in lieu of compliance with the acceptable solutions. However, to do something different from the acceptable solutions described in Division B, a proponent must show that their proposed alternative solution will perform at least as well as the acceptable solution(s) it is replacing. The objectives and functional statements attributed to the acceptable solution(s) identify the areas of performance where this equivalence must be demonstrated.

Additional Information

Numbering System

A consistent numbering system has been used throughout the National Model Codes⁽¹⁾. The first number indicates the Part of the Code; the second, the Section in the Part; the third, the Subsection; and the fourth, the Article in the Subsection. The detailed provisions are found at the Sentence level (indicated by numbers in brackets), and Sentences may be broken down into Clauses and Subclauses. This structure is illustrated as follows:

3	Part
3.5.	Section
3.5.2.	Subsection
3.5.2.1.	Article
3.5.2.1.(2)	Sentence
3.5.2.1.(2)(a)	Clause
3.5.2.1.(2)(a)(i)	Subclause

Change Indication

Where a technical change or addition has been made relative to the 1995 edition, a vertical line has been added in the margin next to the affected provision. No change indication has been provided in cases where provisions have been renumbered or deleted.

Administration

A separate CCBFC document entitled Administrative Requirements for Use with the National Building Code of Canada 1985 is also published by the National Research Council. It is automatically adopted as per Article 2.2.1.1. of Division C if the adopting authority does not provide other administrative requirements.

(1) Prior to the 2005 edition, the NPC’s numbering system started at the Section level rather than at the Part level; Subsections therefore had only two numbers and Articles had only three.

Metric Conversion

All values in the NPC, other than nominal sizes, are given in metric units. A conversion table of imperial equivalents for the most common units used in plumbing system design and installation is located at the end of the Code.

Commercial Rights to Reproduce the National Plumbing Code

Copyright for the National Plumbing Code is owned by the National Research Council of Canada (NRC). All rights are reserved. Reproduction by any means of NRC's copyright material is prohibited without the written consent of NRC. Request for permission to reproduce the National Plumbing Code must be sent to codes@nrc-cnrc.gc.ca, or to the following address:

Manager
Codes Production and Marketing
Institute for Research in Construction
National Research Council of Canada
Ottawa, Ontario K1A 0R6

Contact Information

The CCBFC welcomes comments and suggestions for improvements to the National Plumbing Code. Persons interested in requesting a change to a technical provision of the NPC should refer to the guidelines available on the Internet at www.nationalcodes.ca, where additional information is also presented.

Comments, suggestions and requests for printed copies of Internet material referred to in this Preface should be sent to:

The Secretary
Canadian Commission on Building and Fire Codes
Institute for Research in Construction
National Research Council of Canada
Ottawa, Ontario K1A 0R6

Relationship of the NPC to Standards Development and Conformity Assessment

The development of many provisions in the National Plumbing Code (NPC) and the assessment of conformity to those provisions are supported by several of the member organizations of Canada's National Standards System (NSS).

The NSS is a federation of accredited organizations concerned with standards development, certification, testing, inspection, personnel and management systems registration that is established under the auspices of the Standards Council of Canada Act. Activities of the NSS are coordinated by the Standards Council of Canada (SCC), which has accredited 4 standards development organizations, 27 certification organizations, 21 registration organizations, and almost 400 calibration and testing laboratories.

The SCC is a federal non-profit Crown corporation responsible for the coordination of voluntary standardization in Canada. It also has responsibilities for Canada's activities in voluntary international standardization.

Canadian Standards

The NPC contains many references to standards published by accredited standards development organizations in Canada. As part of the accreditation requirements, these organizations adhere to the principles of consensus. This generally means substantial majority agreement of a committee comprising a balance of producer, user and general interest members, and the consideration of all negative comments. The organizations also have formal procedures for the second-level review of the technical preparation and balloting of standards prepared under their auspices. (The Canadian Commission on Building and Fire Codes follows these same principles of consensus in the operation of its code development process.) The following organizations are accredited as standards development organizations in Canada:

- Bureau de normalisation du Québec (BNQ)
- Canadian General Standards Board (CGSB)
- Canadian Standards Association (CSA)
- Underwriters' Laboratories of Canada (ULC)

Table 1.3.1.2. of Division B lists the standards referenced in the NPC. Standards proposed to be referenced in the NPC are reviewed to ensure their contents are compatible with the Code. Thereafter, referenced standards are reviewed several times during each Code cycle. Standards development organizations are asked to provide information on any changes in the status of their standards referenced in the NPC—withdrawals, amendments, new editions, etc. This information is passed on to the CCBFC, its standing committees, the provinces and territories, and interested stakeholders on particular issues, all of whom are given the opportunity to identify any problems associated with the changes. These bodies do not necessarily review in detail the revised standards; rather, the approach relies on the consensus process involved in the maintenance of the standards and on the extensive knowledge and backgrounds of committee members, provincial or territorial staff, NRC staff, and consulted stakeholders to identify changes in the standards that might create problems in the Code.

Non-Canadian Standards

A number of subject areas for which the Canadian standards development organizations have not developed standards are covered in the NPC. In these cases, the Code often makes

reference to standards developed by organizations in other countries, such as the American Society for Testing and Materials (ASTM) and the National Fire Protection Association (NFPA). These standards are developed using processes that may differ from those used by the Canadian standards development organizations; nevertheless, these standards have been reviewed by the relevant standing committees and found to be acceptable.

Conformity Assessment

The NPC establishes minimum measures, either within its own text or that of referenced standards. However, the NPC does not deal with the question of who is responsible for assessing conformity to the measures or how those with this responsibility might carry it out. This responsibility is usually established by the governing legislation of the adopting provinces or territories. Provincial or territorial authorities should be consulted to determine who is responsible for conformity assessment within their jurisdiction.

Those persons responsible for ensuring that a material, appliance, system or equipment meets the performance requirements of this Code have several means available to assist them. These means vary from on-site inspection to the use of certification services provided by accredited third-party organizations. Test reports or mill certificates provided by manufacturers or suppliers can also assist in the acceptance of products. Engineering reports may be required for more complex products.

Testing

The accreditation programs of the SCC include one for testing and calibration laboratories. Almost 400 organizations are accredited, with 68 accredited as capable of reliably testing building products to specified standards. The test results produced by these organizations can be used in the evaluation, qualification and certification of building products to Code provisions.

Certification ◊

Certification is the confirmation by an independent organization that a product or service meets a requirement. Certification of a product, process, or system entails physical examination, testing as specified in the appropriate standards, plant examination, and follow-up unannounced plant inspections. This procedure leads to the issuing of a formal assurance or declaration, by means of a certification mark or certificate, that the product, process or system is in full conformity with specified provisions.

In some cases, a product for which no standard exists can be certified using procedures and criteria developed by the accredited certifying organization and specifically designed to measure the performance of that product.

As of the printing of this Code, the following organizations were accredited by the SCC to provide certification services in the field of products for buildings and facilities. A complete list of accredited certification bodies can be found on SCC's Web site at www.scc.ca. Certification bodies publish lists of certified products and companies.

- Bureau de normalisation du Québec (BNQ)
- Canadian General Standards Board (CGSB)
- Canadian Standards Association (CSA)
- IAPMO Research and Testing Inc.
- Intertek Testing Services NA Inc. (ITS)
- NSF International
- Underwriters Laboratories Incorporated (UL)
- Underwriters' Laboratories of Canada (ULC)

Registration

Quality Registration Organizations assess a company's conformance to quality assurance standards like the International Organization for Standardization ISO 9000.

Evaluation

An evaluation is a written opinion by an independent professional organization that a product will perform its intended function in a building. An evaluation is very often done to determine the ability of an innovative product, for which no standards exist, to satisfy the intent of a Code requirement. Follow-up plant inspections are not normally part of the evaluation process. Several organizations, including the Canadian Construction Materials Centre (CCMC), offer such evaluation services.

Qualification

The qualification of building products also evaluates the ability of a product to perform its intended function by verifying that it meets the requirements of a standard. Qualification normally includes some follow-up plant inspection. Some organizations publish lists of qualified products that meet the specified requirements. Some organizations qualify manufacturing and/or testing facilities for building products for compliance with the Code and relevant standards.

Canadian Commission on Building and Fire Codes and Standing Committees

Canadian Commission on Building and Fire Codes

B.E. Clemmensen (<i>Chair</i>)	J.E. Holt ⁽²⁾	G.W. Murdoch ⁽²⁾	D.A. Stewart ⁽²⁾
E. Arrelle ⁽²⁾	G. Humphrey	L.T. Nakatsui	I. Stronach ⁽²⁾
P. Bancarz ⁽²⁾	J.C. Jofriet ⁽²⁾	K.W. Newbert	L. Tardif ⁽²⁾
A. Beaumont	R.M.B. Johnson ⁽²⁾	F.L. Nicholson ⁽²⁾	R.R. Thompson
J.-P. Bertrand	H.A. Krentz	W.G.R. Partridge ⁽²⁾	A.M. Thorimbert ⁽²⁾
A. Borooh	M. Kuzyk	G. Pelletier	T. Timm ⁽²⁾
J. Boucher ⁽²⁾	(formerly Miller)	F.-X. Perreault ⁽²⁾	C.M. Tye
E. Boyd ⁽²⁾	C. Lalonde ⁽⁴⁾	R. Perreault	E.Y. Uzumeri ⁽²⁾
S. Carreau ⁽²⁾	T.K. Lenahan ⁽²⁾	D. Popowich	F. Vaculik ⁽²⁾
D. Clancey	E.I. Lexier	T.L. Powell ⁽²⁾	J. Vasey
R.J. Cormier	D.R. Lion	W. Purchase	H.P. Vokey ⁽²⁾
B.R. Darrah ⁽²⁾	T.J. Macaulay ⁽²⁾	G.R. Richardson	
G. Davis	G.D. MacDonald ⁽²⁾	P. Ridout ⁽²⁾	A.J.M. Aikman ⁽³⁾
J.G. Delage ⁽²⁾	J.G. MacGregor ⁽²⁾	R.F. Riffell	J.W. Archer ⁽¹⁾
G.S. Dunlop ⁽²⁾	E.I. Mackie ⁽²⁾	J.S. Robertson	D. Bergeron ⁽¹⁾
M.J. Dwyer ⁽²⁾	J.W. MacLean	P. Rochefort	(<i>Deputy Chair</i>)
F.H.C. Edgcombe	D.E.J. Magnusson ⁽²⁾	T. Ross	R.P. Bowen ⁽¹⁾
C.T. Fillingham	M. Maillet ⁽²⁾	J.M. Rubes ⁽²⁾	R.J. Desserud ⁽³⁾
A. Forcier ⁽²⁾	S. Maman ⁽²⁾	W.J. Schmid ⁽²⁾	(<i>Deputy Chair</i>)
C. Fréreau ⁽²⁾	R.P. McCullough	G.J. Sereda	J.C. Haysom ⁽³⁾
D.B. Goodspeed	R.J. McGrath	C.A. Skakun ⁽²⁾	L. Saint-Martin ⁽³⁾
S.A. Hall ⁽²⁾	R.J. Miller	M. Soper ⁽²⁾	
S. Hart	D.O. Monsen	A.C. Spurell ⁽²⁾	
R.B. Hasler ⁽²⁾	G.R. Morris ⁽²⁾	B. St-Louis ⁽²⁾	

Standing Committee on Building and Plumbing Services

K.W. Newbert (*Chair*)
J.H. Alton⁽²⁾
P.T. Chang
P.J. Cook
R.G. Cordovado
A.R. Dallaway
M.G. Doyle
K.A. Fenning⁽²⁾
P.C. Fenwick⁽²⁾
P.R. French⁽²⁾
L. Gill⁽²⁾
K. Harper
D. Hill
J.E. Holt
D.K.S. Hui
A.A. Knapp
S. Ko⁽²⁾
B. Lagueux

J.E. Masse
D.S. McDonald
D. Musabay
D.A. Myers
W.S. Parker
R.V. Paul
M. Premovic⁽²⁾
S.A. Remedios
J. Riley⁽²⁾
C.R. Roy
G.D. Stasynec
C.M. Surgeoner
W. Webster⁽²⁾

R.B. Chauhan⁽¹⁾
D. Green⁽¹⁾
M. McBride⁽¹⁾

CCBFC French Technical Verification Committee

G. Harvey (*Chair*)
A. Gobeil
B. Lagueux
J.-P. Perreault
I. Wagner

N. Dachdjian⁽¹⁾
Y.E. Forgues⁽¹⁾
G. Mougeot-Lemay⁽¹⁾

-
- (1) IRC staff who provided assistance to the Committee.
(2) Term completed during the preparation of the 2005 Code.
(3) IRC staff whose involvement with the Committee ended during the preparation of the 2005 Code.
(4) Deceased.

Revisions and Errata

Issued by the Canadian Commission on Building and Fire Codes

The tables that follow identify revisions and errata that apply to the National Plumbing Code of Canada 2005.

The revisions have been approved by the Canadian Commission on Building and Fire Codes. The following symbol appears following the title of an Article, Appendix Note, Table or Figure containing text that is affected by the revisions: ★

The errata are corrections that have been identified; they are provided to facilitate the use of the Code. The following symbol appears following the title of an Article, Appendix Note, Table or Figure containing text that is affected by the errata: ◇

Contact your local authority having jurisdiction to find out if these revisions and errata apply in your province or territory.

The intent and application statements affected by these revisions and errata have been updated, as applicable, on the CD-ROM version of the Code.

Revisions

Table of Revisions — National Plumbing Code 2005

Provision	Revision	Date of Issue
2 0 0 7		
Division B		
Table 1.3.1.2.	The following entries were added to the Table following the entries for ANSI/CSA: ASME/CSA, ASME A112.18.1/CSA B125.1-05, Plumbing Supply Fittings, 2.2.10.6.(1), 2.2.10.7.(1) ASME/CSA, ASME A112.18.2/CSA B125.2-05, Plumbing Waste Fittings, 2.2.3.3.(1), 2.2.10.6.(2) Entry for CAN/CSA-B125-01 was replaced with the following entry: CSA B125.3-05, Plumbing Fittings, 2.2.10.6.(1), 2.2.10.7.(2), 2.2.10.10.(2)	07-12-01
2.2.3.3.(1)	Standard referenced in this Sentence was changed to ASME A112.18.2/CSA B125.2, "Plumbing Waste Fittings"	07-12-01
2.2.10.6.	Article was changed to read as follows: 1) Supply fittings shall conform to ASME A112.18.1/CSA B125.1, "Plumbing Supply Fittings," or CSA B125.3, "Plumbing Fittings." 2) Waste fittings shall conform to ASME A112.18.2/CSA B125.2, "Plumbing Waste Fittings."	07-12-01

Table of Revisions — National Plumbing Code 2005 (Continued)

Provision	Revision	Date of Issue
2.2.10.7.	<p>Article 2.2.10.7. was replaced with the following text:</p> <p>2.2.10.7. Water Temperature Control (See Appendix A.)</p> <ol style="list-style-type: none"> 1) Except as provided in Sentence (2), all valves supplying fixed-location shower heads shall be individual pressure-balanced or thermostatic-mixing valves conforming to ASME A112.18.1/CSA B125.1, "Plumbing Supply Fittings." 2) Individual pressure-balanced or thermostatic-mixing valves shall not be required for showers having a single tempered water supply that is controlled by a master thermostatic-mixing valve conforming to CSA B125.3, "Plumbing Fittings." 3) All mixing valves supplying shower heads shall be of the pressure-balanced, thermostatic, or combination pressure-balanced/thermostatic type capable of <ol style="list-style-type: none"> a) maintaining a water outlet temperature that does not exceed 49°C, and b) limiting thermal shock. 4) The temperature of water discharging into a bathtub shall not exceed 49°C. 	07-12-01
2.2.10.10.(2)	<p>Term "anti-siphon ballcocks" was changed to "anti-siphon fill valves"</p> <p>Standard referenced in Sentence was changed to CSA B125.3, "Plumbing Fittings"</p>	07-12-01
2.6.1.12.	<p>The following Article was added:</p> <p>2.6.1.12. Service Water Heaters</p> <ol style="list-style-type: none"> 1) Thermostat controls for electric <i>storage-type service water heaters</i> shall be set at a temperature of 60°C. (See Appendix A.) 	07-12-01
Table 2.8.1.1.	<p>Entry for 2.2.10.6.(1) was changed as follows: [F80–OP5]</p> <p>Entry for 2.2.10.6.(2) was added: [F80–OH2.1,OH2.3]</p> <p>Entry for 2.2.10.7.(3) was changed as follows: (a) [F31–OS3.2] (b) [F30–OS3.1]</p> <p>Entry for 2.6.1.12.(1) was added: [F40–OS3.4]</p>	07-12-01
Table A-1.3.1.2.(1)	<p>Document number for CAN/CSA-B125-01 was changed to CSA B125.3-05</p>	07-12-01
A-2.2.10.7.	<p>The following Appendix Note was added:</p> <p>A-2.2.10.7. Hot Water Temperature.</p> <p>Hot water delivered at 60°C will severely burn human skin in 1 to 5 seconds. At 49°C, the time for a full thickness scald burn to occur is 10 minutes. Children, the elderly and persons with disabilities are particularly at risk of scald burns. Compliance with Article 2.2.10.7. will reduce the risk of scalding in showers and bathtubs, and reduce the risk of thermal shock from wall-mounted shower heads.</p> <p>These requirements apply to all occupancies, not just residential occupancies.</p> <p>The water outlet temperature at other fixtures, such as lavatories, sinks, laundry trays or bidets, is not addressed by Article 2.2.10.7., but a scald risk may exist at such fixtures nonetheless.</p>	07-12-01
A-2.6.1.11.(1)	<p>Standard referenced in Appendix Note was changed to CSA B125.3, "Plumbing Fittings"</p>	07-12-01

Table of Revisions — National Plumbing Code 2005 (Continued)

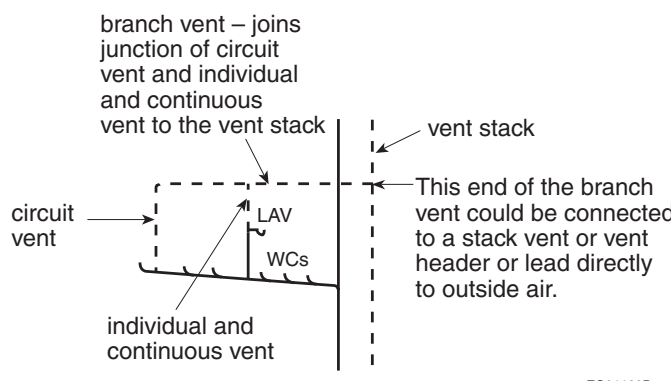
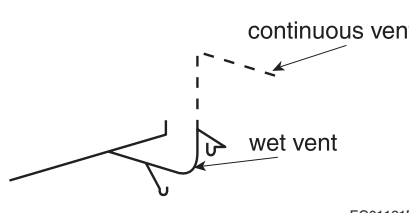
Provision	Revision	Date of Issue
A-2.6.1.12.(1)	<p>The following Appendix Note was added:</p> <p>A-2.6.1.12.(1) Service Water Heaters.</p> <p>Storing hot water at temperatures below 60°C in the hot water tank or in the delivery system may lead to the growth of legionella bacteria. Contemporary electric water heater tanks experience temperature stratification and thus tend to have legionella bacteria in the lower parts of the tank. Article 2.6.1.12. specifies a thermostat setting of 60°C, which addresses the concern over the growth of legionella bacteria in electric hot water storage tanks and is enforceable without introducing unnecessary complications. The growth of legionella bacteria is not a concern for other types of water heaters with different designs that use different fuels.</p> <p>Electrically heated water heaters are shipped with the thermostat set at 60°C. Article 2.6.1.12. is included in the NPC to formalize this de facto temperature setting as a requirement. The thermostats have graduated temperature markings to allow such a setting, which is not the case with gas- or oil-heated water heaters.</p>	07-12-01
2 0 0 8		
Division B		
Table 1.3.1.2.	<p>This Table has been updated in the third printing and on the CD-ROM version of the Code.</p> <p>The following reference was added to the entry for CSA B137.10: 2.2.5.13.(4)</p>	08-06-20
2.2.5.13.	<p>Article was changed to read as follows:</p> <ol style="list-style-type: none"> 1) PE/AL/PE composite pipe and fittings shall conform to CSA B137.9, "Polyethylene/Aluminum/Polyethylene (PE-AL-PE) Composite Pressure-Pipe Systems." (See Appendix A.) 2) Except as provided in Sentences (3) and (4), PE/AL/PE pipe and fittings shall not be used in hot <i>water systems</i>. 3) PE/AL/PE pipe with a pressure rating of 690 kPa or greater at 82°C shall be permitted for hot <i>water systems</i>. 4) PE/AL/PE pipe with a pressure rating of 690 kPa or greater at 82°C shall be used with fittings that conform to CSA B137.10, "Crosslinked Polyethylene/Aluminum/Crosslinked Polyethylene (PEX-AL-PEX) Composite Pressure-Pipe Systems," in hot <i>water systems</i>. 	08-06-20
Table 2.8.1.1.	<p>Entry for 2.2.5.13.(2): 2nd attribution was added as follows: [F20-OH2.1,OH2.2,OH2.3]</p> <p>Entries for 2.2.5.13.(3) and (4) were added as follows: (3) [F20-OH2.1,OH2.2,OH2.3] [F20-OP5] (4) [F20-OH2.1,OH2.2,OH2.3] [F20-OP5]</p>	08-06-20
Table A-1.3.1.2.(1)	<p>This Table has been updated in the third printing and on the CD-ROM version of the Code.</p>	08-06-20

Errata

Table of Errata — National Plumbing Code 2005

Provision	Erratum	Date of Issue
2 0 0 7		
Preface		
Relationship of the NPC to Standards Development and Conformity Assessment	<p>In the third paragraph under the heading Certification, the wording of the last part of the first sentence was changed to read "...in the field of products for buildings and facilities."</p>	07-12-01

Table of Errata — National Plumbing Code 2005 (Continued)

Provision	Erratum	Date of Issue
Division A		
1.4.1.2.(1)	"Them" was deleted from the entry for <i>circuit vent</i> so it reads as follows: "... and connects to the <i>fixture drain</i> of the most upstream <i>fixture</i> ."	07-12-01
Figure A-1.4.1.2.(1)-D	<p>This Figure was replaced with the following one:</p> 	07-12-01
Figure A-1.4.1.2.(1)-E	<p>This Figure was replaced with the following one:</p> 	07-12-01
Division B		
1.3.2.1.(1)	The following organization name and address were added: ASME ... American Society of Mechanical Engineers (22 Law Drive, P.O. Box 2900, Fairfield, New Jersey 07007-2900 U.S.A.; www.asme.org)	07-12-01
Table 2.6.3.1.	"Bathroom group" in first row of Table was italicized as it is a defined term	07-12-01
Table 2.8.1.1.	<p>Entry for 2.2.7.1.(1): "OH1.1" was deleted from the 1st attribution Entry for 2.2.7.1.(2): "OH1.1" was deleted from the 1st attribution Entry for 2.2.7.2.(1): "OH1.1" was deleted from the 1st attribution Entry for 2.2.7.4.(1): "OH1.1" was deleted from the 1st attribution Entry for 2.4.10.4.(2): "OH2.5" was deleted from the 1st attribution</p>	07-12-01
A-1.3.1.2.(1)	Text was changed from "Where documents are referenced in this Appendix,..." to "Where documents are referenced in the Appendices of this Code,..."	07-12-01
Table A-1.3.1.2.(1)	<p>Title was changed to "Documents Referenced in the Appendices of the National Plumbing Code of Canada 2005"</p> <p>Entry for ASHRAE was changed to read: ASHRAE 2005 ASHRAE Handbook – Fundamentals, Chapter 36, Pipe Sizing</p>	07-12-01
A-2.6.1.1.(1)	<p>List item (a) was changed to read as follows: (a) ASHRAE Handbook – Fundamentals, Chapter 36, Pipe Sizing</p>	07-12-01
2 0 0 8		
Division B		
Table 2.4.9.3.	"Bathroom group" in second row of Table was italicized as it is a defined term	08-06-20



Division A

Compliance, Objectives and Functional Statements



Division A

Part 1 Compliance

1.1.	General	
1.1.1.	Application of this Code	1- 1
1.2.	Compliance	
1.2.1.	Compliance with this Code	1- 1
1.2.2.	Materials, Systems and Equipment	1- 1
1.3.	Divisions A, B and C of this Code	
1.3.1.	General	1- 2
1.3.2.	Application of Division A	1- 2
1.3.3.	Application of Division B	1- 2
1.3.4.	Application of Division C	1- 2
1.4.	Terms and Abbreviations	
1.4.1.	Definitions of Words and Phrases	1- 2
1.4.2.	Symbols and Other Abbreviations	1- 8
1.5.	Referenced Documents and Organizations	
1.5.1.	Referenced Documents	1- 9
1.5.2.	Organizations	1- 9

Part 1 Compliance

Section 1.1. General

1.1.1. Application of this Code

1.1.1.1. Application of this Code

- 1) This Code applies to the design, installation, extension, alteration, renewal or repair of *plumbing systems*.
- 2) This Code specifies the minimum requirements for
 - a) *drainage systems* for water-borne wastes and *storm water* for *buildings* to the point of connection with public services,
 - b) *venting systems*,
 - c) *water service pipes*, and
 - d) *water distribution systems*.
- 3) Plumbing facilities in *buildings* shall be provided in accordance with Part 7 of Division B of the National Building Code of Canada 2005.

Section 1.2. Compliance

1.2.1. Compliance with this Code

1.2.1.1. Compliance with this Code

- 1) Compliance with this Code shall be achieved by
 - a) complying with the applicable acceptable solutions in Division B (see Appendix A), or
 - b) using alternative solutions that will achieve at least the minimum level of performance required by Division B in the areas defined by the objectives and functional statements attributed to the applicable acceptable solutions (see Appendix A).
- 2) For the purposes of compliance with this Code as required in Clause 1.2.1.1.(1)(b), the objectives and functional statements attributed to the acceptable solutions in Division B shall be the objectives and functional statements referred to in Subsection 1.1.2. of Division B.

1.2.2. Materials, Systems and Equipment

1.2.2.1. Characteristics of Materials, Systems and Equipment

- 1) All materials, systems and equipment installed to meet the requirements of this Code shall be free from defects and possess the necessary characteristics to perform their intended functions when installed.

1.2.2.2. Used Materials and Equipment

- 1) Used materials and equipment, including *fixtures*, shall not be reused unless they meet the requirements of this Code for new materials and equipment and are otherwise satisfactory for their intended use.

Section 1.3. Divisions A, B and C of this Code

1.3.1. General

1.3.1.1. Scope of Division A

1) Division A contains the compliance and application provisions, objectives and functional statements of this Code.

1.3.1.2. Scope of Division B

1) Division B contains the acceptable solutions of this Code.

1.3.1.3. Scope of Division C

1) Division C contains the administrative provisions of this Code.

1.3.1.4. Internal Cross-references

1) Where the Division of a referenced provision is not specified in this Code, it shall mean that the referenced provision is in the same Division as the referencing provision.

1.3.2. Application of Division A

1.3.2.1. Application of Parts 1, 2 and 3

1) Parts 1, 2 and 3 of Division A apply to all *plumbing systems* covered in this Code. (See Article 1.1.1.1.)

1.3.3. Application of Division B

1.3.3.1. Application of Parts 1 and 2

1) Parts 1 and 2 of Division B apply to all *plumbing systems* covered in this Code. (See Article 1.1.1.1.)

1.3.4. Application of Division C

1.3.4.1. Application of Parts 1 and 2

1) Parts 1 and 2 of Division C apply to all *plumbing systems* covered in this Code. (See Article 1.1.1.1.)

Section 1.4. Terms and Abbreviations

1.4.1. Definitions of Words and Phrases

1.4.1.1. Non-defined Terms

1) Words and phrases used in this Code that are not included in the list of definitions in Article 1.4.1.2. shall have the meanings that are commonly assigned to them in the context in which they are used, taking into account the specialized use of terms by the various trades and professions to which the terminology applies.

2) Where objectives and functional statements are referred to in this Code, they shall be the objectives and functional statements described in Parts 2 and 3.

3) Where acceptable solutions are referred to in this Code, they shall be the provisions stated in Part 2 of Division B.

4) Where alternative solutions are referred to in this Code, they shall be the alternative solutions mentioned in Clause 1.2.1.1.(1)(b).

1.4.1.2. Defined Terms ◇

1) The words and terms in italics in this Code shall have the following meanings (an asterisk (*) following a defined word or term indicates that the definition for that word or term is taken from the NBC):

Additional circuit vent means a *vent pipe* that is installed between a *circuit vent* and a *relief vent* to provide additional air circulation.

Air admittance valve means a one-way valve designed to allow air to enter the *drainage system* when the pressure in the *plumbing system* is less than the atmospheric pressure. (See Appendix Note A-2.2.10.16.(1) of Division B.)

Air break means the unobstructed vertical distance between the lowest point of an *indirectly connected soil-or-waste pipe* and the *flood level rim* of the *fixture* into which it discharges. (See Appendix Note A-2.3.3.11.(2) of Division B.)

Air gap means the unobstructed vertical distance through air between the lowest point of a water supply outlet and the *flood level rim* of the *fixture* or device into which the outlet discharges. (See Appendix Note A-2.6.2.9.(2) of Division B.)

Alloyed zinc means an alloy of zinc having the corrosion resistance and physical properties of an alloy containing 0.15% titanium, 0.74% copper and 99.11% zinc, and so tempered as to be capable of being formed into the shape required for a watertight joint.

Auxiliary water supply means any water supply on or available to the premises other than the primary *potable* water supply. (See Appendix A.)

Backflow means a flowing back or reversal of the normal direction of the flow.

Backflow preventer means a device or a method that prevents *backflow*. (See Figure A-1.4.1.2.(1)-A in Appendix A.)

Back pressure means pressure higher than the supply pressure.

Back-siphonage means *backflow* caused by a negative pressure in the supply system. (See Figure A-1.4.1.2.(1)-B in Appendix A.)

Back-siphonage preventer (or *vacuum breaker*) means a device or a method that prevents *back-siphonage*. (See Figure A-1.4.1.2.(1)-C in Appendix A.)

Backwater valve means a *check valve* designed for use in a gravity *drainage system*.

Bathroom group means a group of plumbing *fixtures* installed in the same room, consisting of one domestic-type lavatory, one water closet and either one bathtub (with or without a shower) or one one-head shower.

Branch means a *soil-or-waste pipe* connected at its upstream end to the junction of 2 or more *soil-or-waste pipes* or to a *soil-or-waste stack*, and connected at its downstream end to another *branch*, a sump, a *soil-or-waste stack* or a *building drain*. (See Figure A-1.4.1.2.(1)-F in Appendix A.)

Branch vent means a *vent pipe* that is connected at its lower end to the junction of 2 or more *vent pipes*, and at its upper end, either to another *branch vent* or to a *stack vent*, *vent stack* or *vent header*, or terminates in open air. (See Figure A-1.4.1.2.(1)-D in Appendix A.)

*Building** means any structure used or intended for supporting or sheltering any use or *occupancy*.

Building drain means the lowest horizontal piping, including any vertical *offset*, that conducts *sewage*, *clear-water waste* or *storm water* by gravity to a *building sewer*. (See Figure A-1.4.1.2.(1)-F in Appendix A.)

Building sewer means a pipe that is connected to a *building drain* 1 m outside a wall of a *building* and that leads to a public sewer or *private sewage disposal system*.

Building trap means a *trap* that is installed in a *building drain* or *building sewer* to prevent the circulation of air between a *drainage system* and a public sewer. (See Appendix Note A-2.4.5.4.(1) of Division B.)

*Care or detention occupancy** means the *occupancy* or use of a *building* or part thereof by persons who require special care or treatment because of cognitive or

physical limitations or by persons who are restrained from, or are incapable of, self-preservation because of security measures not under their control.

Check valve means a valve that permits flow in one direction but prevents a return flow.

Circuit vent means a *vent pipe* that serves a number of *fixtures* and connects to the *fixture drain* of the most upstream *fixture*.

Class 1 fire sprinkler/standpipe system means an assembly of pipes and fittings that conveys water from the *water service pipe* to the sprinkler/standpipe system's outlets, is *directly connected* to the public water supply main only, has no pumps or reservoirs, and in which the sprinkler drains discharge to the atmosphere, to dry wells or to other safe outlets.

Class 2 fire sprinkler/standpipe system means a *Class 1 fire sprinkler/standpipe system* that includes a booster pump in its connection to the public water supply main.

Class 3 fire sprinkler/standpipe system means an assembly of pipes and fittings that conveys water from the *water service pipe* to the sprinkler/standpipe system's outlets and is *directly connected* to the public water supply main as well as to one or more of the following storage facilities, which are filled from the public water supply main only: elevated water storage, fire pumps supplying water from aboveground covered reservoirs, or pressure tanks. The water in this sprinkler/standpipe system must be maintained in *potable* condition. (See Appendix A.)

Class 4 fire sprinkler/standpipe system means an assembly of pipes and fittings that conveys water from the *water service pipe* to the sprinkler/standpipe system's outlets and is *directly connected* to the public water supply main (similar to *Class 1* and *Class 2 fire sprinkler/standpipe systems*) and to an *auxiliary water supply* dedicated to fire department use that is located within 520 m of a pumper connection.

Class 5 fire sprinkler/standpipe system means an assembly of pipes and fittings that conveys water from the *water service pipe* to the sprinkler/standpipe system's outlets and is *directly connected* to the public water supply main and also interconnected with an *auxiliary water supply*.

Class 6 fire sprinkler/standpipe system means an assembly of pipes and fittings that conveys water from the *water service pipe* to the sprinkler/standpipe system's outlets and acts as a combined industrial water supply and fire protection system supplied from the public water supply main only, with or without gravity storage or pump suction tanks.

Cleanout means an access provided in *drainage* and *venting systems* to provide for cleaning and inspection services.

Clear-water waste means waste water with impurity levels that will not be harmful to health and may include cooling water and condensate drainage from refrigeration and air-conditioning equipment and cooled condensate from steam heating systems, but does not include *storm water*. (See Appendix A.)

Combined building drain means a *building drain* that is intended to conduct *sewage* and *storm water*.

Combined building sewer means a *building sewer* that is intended to conduct *sewage* and *storm water*.

Combined sewer means a sewer that is intended to conduct *sewage* and *storm water*.

*Combustible** means that a material fails to meet the acceptance criteria of CAN/ULC-S114, "Test for Determination of Non-Combustibility in Building Materials."

Continuous vent means a *vent pipe* that is an extension of a vertical section of a *branch* or *fixture drain*. (See Figure A-1.4.1.2.(1)-E in Appendix A.)

Critical level means the level of submergence at which the *back-siphonage preventer* ceases to prevent *back-siphonage*.

Dead end means a pipe that terminates with a closed fitting.

Developed length means the length along the centre line of the pipe and fittings. (See Appendix Note A-2.5.6.3.(1) of Division B.)

Directly connected means physically connected in such a way that water or gas cannot escape from the connection.

Drainage system means an assembly of pipes, fittings, fixtures, traps and appurtenances that is used to convey sewage, clear-water waste or storm water to a public sewer or a private sewage disposal system, but does not include subsoil drainage pipes. (See Figure A-1.4.1.2.(1)-F in Appendix A.)

Dual vent means a vent pipe that serves 2 fixtures and connects at the junction of the trap arms. (See Figure A-1.4.1.2.(1)-F in Appendix A.)

*Dwelling unit** means a suite operated as a housekeeping unit used or intended to be used as a domicile by one or more persons and usually containing cooking, eating, living, sleeping and sanitary facilities.

Emergency floor drain means a fixture for the purposes of overflow protection that does not receive regular discharge from other fixtures, other than from a trap primer. (See Appendix A.)

*Fire separation** means a construction assembly that acts as a barrier against the spread of fire.

Fire service pipe means a pipe that conveys water from a public water main or private water source to the inside of a building for the purpose of supplying the fire sprinkler or standpipe systems.

Fixture means a receptacle, appliance, apparatus or other device that discharges sewage or clear-water waste, and includes a floor drain.

Fixture drain means the pipe that connects a trap serving a fixture to another part of a drainage system.

Fixture outlet pipe means a pipe that connects the waste opening of a fixture to the trap serving the fixture. (See Figure A-1.4.1.2.(1)-H in Appendix A.)

Fixture unit (as applying to drainage systems) means the unit of measure based on the rate of discharge, time of operation and frequency of use of a fixture that expresses the hydraulic load that is imposed by that fixture on the drainage system.

Fixture unit (as applying to water distribution systems) means the unit of measure based on the rate of supply, time of operation and frequency of use of a fixture or outlet that expresses the hydraulic load that is imposed by that fixture or outlet on the supply system.

Flood level rim means the top edge at which water can overflow from a fixture or device. (See Figure A-1.4.1.2.(1)-B in Appendix A.)

Flow control roof drain means a roof drain that restricts the flow of storm water into the storm drainage system.

Fresh air inlet means a vent pipe that is installed in conjunction with a building trap and terminates outdoors. (See Appendix Note A-2.4.5.4.(1) of Division B.)

*Indirect service water heater** means a service water heater that derives its heat from a heating medium such as warm air, steam or hot water.

Indirectly connected means not directly connected. (See Appendix Note A-2.3.3.11.(2) of Division B.)

Individual vent means a vent pipe that serves one fixture.

Interceptor means a receptacle that is installed to prevent oil, grease, sand or other materials from passing into a drainage system.

Leader means a pipe that is installed to carry storm water from a roof to a storm building drain or sewer or other place of disposal.

Nominally horizontal means at an angle of less than 45° with the horizontal. (See Figure A-1.4.1.2.(1)-J in Appendix A.)

Nominally vertical means at an angle of not more than 45° with the vertical. (See Figure A-1.4.1.2.(1)-J in Appendix A.)

*Noncombustible** means that a material meets the acceptance criteria of CAN/ULC-S114, "Test for Determination of Non-Combustibility in Building Materials."

*Occupancy** means the use or intended use of a *building* or part thereof for the shelter or support of persons, animals or property.

Offset means the piping that connects the ends of 2 pipes that are parallel. (See Figure A-1.4.1.2.(1)-K in Appendix A.)

Offset relief vent means a *relief vent* that provides additional air circulation upstream and downstream of an *offset* in a *soil-or-waste stack*. (See Appendix Note A-2.5.4.4.(1) of Division B.)

*Plumbing system** means a *drainage system*, a *venting system* and a *water system* or parts thereof. (See Figure A-1.4.1.2.(1)-L in Appendix A.)

Potable means safe for human consumption.

*Private sewage disposal system** means a privately owned plant for the treatment and disposal of *sewage* (such as a septic tank with an absorption field).

Private use (as applying to the classification of plumbing *fixtures*) means *fixtures* in residences and apartments, in private bathrooms of hotels, and in similar installations in other *buildings* for one family or an individual.

Private water supply system means an assembly of pipes, fittings, valves, equipment and appurtenances that supplies water from a private source to a *water distribution system*.

Public use (as applying to the classification of plumbing *fixtures*) means *fixtures* in general washrooms of schools, gymnasiums, hotels, bars, public comfort stations and other installations where *fixtures* are installed so that their use is unrestricted.

Relief vent means a *vent pipe* that is used in conjunction with a *circuit vent* to provide additional air circulation between a *drainage system* and a *venting system*.

Riser means a water distribution pipe that extends through at least one full *storey*.

Residential full flow-through fire sprinkler/standpipe system means an assembly of pipes and fittings installed in a one- or two-family dwelling that conveys water from the *water service pipe* to the sprinkler/standpipe system's outlets and is fully integrated into the *potable water system* to ensure a regular flow of water through all parts of both systems.

Residential partial flow-through fire sprinkler/standpipe system means an assembly of pipes and fittings installed in a one- or two-family dwelling that conveys water from the *water service pipe* to the sprinkler/standpipe system's outlets and in which flow, during inactive periods of the sprinkler/standpipe system, occurs only through the main header to the water closet located at the farthest point of the two systems.

Roof drain means a fitting or device that is installed in the roof to permit *storm water* to discharge into a *leader*.

Roof gutter means an exterior channel installed at the base of a sloped roof to convey *storm water*.

Sanitary building drain means a *building drain* that conducts *sewage* to a *building sewer* from the most upstream *soil-or-waste stack*, *branch* or *fixture drain* serving a water closet.

Sanitary building sewer means a *building sewer* that conducts *sewage*.

*Sanitary drainage system** means a *drainage system* that conducts *sewage*.

Sanitary sewer means a sewer that conducts *sewage*.

*Service water heater** means a device for heating water for plumbing services.

Sewage means any liquid waste other than *clear-water waste* or *storm water*.

Size means the nominal diameter by which a pipe, fitting, *trap* or other similar item is commercially designated.

Soil-or-waste pipe or *waste pipe* means a pipe in a *sanitary drainage system*.

Soil-or-waste stack means a vertical *soil-or-waste pipe* that passes through one or more *storeys*, and includes any *offset* that is part of the stack.

Stack vent means a *vent pipe* that connects the top of a *soil-or-waste stack* to a *vent header* or to outside air. (See Figure A-1.4.1.2.(1)-F in Appendix A.)

*Storage-type service water heater** means a *service water heater* with an integral hot water storage tank.

Storey (as applying to plumbing) means the interval between 2 successive floor levels, including mezzanine floors that contain plumbing fixtures, or between a floor level and roof.

Storm building drain means a *building drain* that conducts *storm water* and is connected at its upstream end to a *leader*, sump or catch basin, and at its downstream end to a *building sewer* or a designated *storm water* disposal location.

Storm building sewer means a *building sewer* that conveys *storm water*.

Storm drainage system means a *drainage system* that conveys *storm water*.

Storm sewer means a sewer that conveys *storm water*.

Storm water means water that is discharged from a surface as a result of rainfall or snowfall.

Subsoil drainage pipe means a pipe that is installed underground to intercept and convey subsurface water.

*Suite** means a single room or series of rooms of complementary use, operated under a single tenancy and includes *dwelling units*, individual guest rooms in motels, hotels, boarding houses, rooming houses and dormitories, as well as individual stores and individual or complementary rooms for business and personal services *occupancies*.

Trap means a fitting or device that is designed to hold a liquid seal that will prevent the passage of gas but will not materially affect the flow of a liquid.

Trap arm means that portion of a *fixture drain* between the *trap weir* and the *vent pipe* fitting. (See Appendix Note A-2.5.6.3.(1) of Division B.)

Trap dip means the lowest part of the upper interior surface of a *trap*.

Trap seal depth means the vertical distance between the *trap dip* and the *trap weir*. (See Appendix Note A-2.2.3.1.(1) and (3) of Division B.)

Trap standard means the *trap* for a *fixture* that is integral with the support for the *fixture*.

Trap weir means the highest part of the lower interior surface of a *trap*. (See Appendix Note A-2.2.3.1.(1) and (3) of Division B.)

Vacuum breaker (see *back-siphonage preventer*).

Vent header means a *vent pipe* that connects any combination of *stack vents* or *vent stacks* to outside air. (See Figure A-1.4.1.2.(1)-I in Appendix A.)

Vent pipe means a pipe that is part of a *venting system*.

Vent stack means a *vent pipe* that is connected at its upper end to a *vent header* or that terminates in outside air and is connected at its lower end to the *soil-or-waste stack* at or below the lowest *soil-or-waste pipe* connection. (See Figure A-1.4.1.2.(1)-G in Appendix A.)

Venting system means an assembly of pipes and fittings that connects a *drainage system* with outside air for circulation of air and the protection of *trap seals* in the *drainage system*. (See Figure A-1.4.1.2.(1)-G in Appendix A.)

Waste pipe (see *soil-or-waste pipe*).

Water distribution system means an assembly of pipes, fittings, valves and appurtenances that conveys water from the *water service pipe* or *private water supply system* to water supply outlets, *fixtures*, appliances and devices.

Water service pipe means a pipe that conveys water from a public water main or private water source to the inside of the *building*.

Water system means a *private water supply system*, a *water service pipe*, a *water distribution system* or parts thereof.

Wet vent means a *soil-or-waste pipe* that also serves as a *vent pipe* and extends from the most downstream wet-vented *fixture* connection to the most upstream *fixture* connection. (See Appendix Note A-2.5.8.1.(2) of Division B.)

Yoke vent means a *vent pipe* that is connected at its lower end to a *soil-or-waste stack* and at its upper end to a *vent stack* or to a *branch vent* connected to a *vent stack*. (See Appendix Note A-2.5.4.3. of Division B.)

1.4.2. Symbols and Other Abbreviations

1.4.2.1. Symbols and Other Abbreviations

1) The symbols and other abbreviations in this Code shall have the meanings assigned to them in this Article and in Article 1.3.2.1. of Division B.

ABS	acrylonitrile-butadiene-styrene
AL	aluminum
cm ²	square centimetre(s)
CPVC	chlorinated polyvinyl chloride
°	degree(s)
°C	degree(s) Celsius
diam	diameter
DWV	drain, waste and vent
h	hour(s)
in.	inch(es)
kg/m ²	kilogram(s) per square metre
kPa	kilopascal(s)
L	litre(s)
L/s	litre(s) per second
m	metre(s)
m ²	square metre(s)
max.	maximum
min.	minimum
min	minute(s)
mm	millimetre(s)
n/a	not applicable
No.	number(s)
PE	polyethylene
PEX	crosslinked polyethylene
PP-R	polypropylene
PVC	polyvinyl chloride
temp.	temperature
1 in 50	slope of 1 vertical to 50 horizontal

Section 1.5. Referenced Documents and Organizations

1.5.1. Referenced Documents

1.5.1.1. Application of Referenced Documents

- 1)** The provisions of documents referenced in this Code, and of any documents referenced within those documents, apply only to the extent that they relate to
 - a) *plumbing systems*, and
 - b) the objectives and functional statements attributed to the applicable acceptable solutions in Division B where the documents are referenced.(See Appendix A.)

1.5.1.2. Conflicting Requirements

- 1)** In case of conflict between the provisions of this Code and those of a referenced document, the provisions of this Code shall govern.

1.5.1.3. Applicable Editions

- 1)** Where documents are referenced in this Code, they shall be the editions designated in Subsection 1.3.1. of Division B.

1.5.2. Organizations

1.5.2.1. Abbreviations of Proper Names

- 1)** The abbreviations of proper names in this Code shall have the meanings assigned to them in Article 1.3.2.1. of Division B.

Part 2

Objectives

2.1.	Application	
2.1.1.	Application	2- 1
2.2.	Objectives	
2.2.1.	Objectives	2- 1

Part 2 Objectives

Section 2.1. Application

2.1.1. Application

2.1.1.1. Application

1) This Part applies to all *plumbing systems* covered in this Code. (See Article 1.1.1.1.)

2.1.1.2. Application of Objectives

- 1)** The objectives described in this Part apply
- a) to all *plumbing systems* covered in this Code (see Article 1.1.1.1.), and
 - b) only to the extent that they relate to compliance with this Code as required in Article 1.2.1.1.

Section 2.2. Objectives

2.2.1. Objectives

2.2.1.1. Objectives

- 1)** The objectives of this Code are as follows (see Appendix A):

OS Safety

An objective of this Code is to limit the probability that, as a result of the design or installation of the *plumbing system*, a person in or adjacent to the *building* or facility will be exposed to an unacceptable risk of injury.

OS1 Fire Safety

An objective of this Code is to limit the probability that, as a result of the design or installation of the *plumbing system*, a person in or adjacent to the *building* or facility will be exposed to an unacceptable risk of injury due to fire. The risks of injury due to fire addressed in this Code are those caused by—

OS1.1 – fire or explosion occurring

OS2 Structural Safety

An objective of this Code is to limit the probability that, as a result of the design or installation of the *plumbing system*, a person in or adjacent to the *building* will be exposed to an unacceptable risk of injury due to structural failure. The risks of injury due to structural failure addressed in this Code are those caused by—

OS2.1 – loads bearing on the *building* elements that exceed their load-bearing capacity

OS3 Safety in Use

An objective of this Code is to limit the probability that, as a result of the design or installation of the *plumbing system*, a person in or adjacent to the *building* or facility will be exposed to an unacceptable risk of injury due to hazards. The risks of injury due to hazards addressed in this Code are those caused by—

- OS3.1 – tripping, slipping, falling, contact, drowning or collision
- OS3.2 – contact with hot surfaces or substances
- OS3.4 – exposure to hazardous substances

OH Health

An objective of this Code is to limit the probability that, as a result of the design or installation of the *plumbing system*, a person will be exposed to an unacceptable risk of illness.

OH1 Indoor Conditions

An objective of this Code is to limit the probability that, as a result of the design or installation of the *plumbing system*, a person in the *building* or facility will be exposed to an unacceptable risk of illness due to indoor conditions. The risks of illness due to indoor conditions addressed in this Code are those caused by—

- OH1.1 – inadequate indoor air quality

OH2 Sanitation

An objective of this Code is to limit the probability that, as a result of the design or installation of the *plumbing system*, a person in the *building* or facility will be exposed to an unacceptable risk of illness due to unsanitary conditions. The risks of illness due to unsanitary conditions addressed in this Code are those caused by—

- OH2.1 – exposure to human or domestic waste
- OH2.2 – consumption of contaminated water
- OH2.3 – inadequate facilities for personal hygiene
- OH2.4 – contact with contaminated surfaces

OH5 Hazardous Substances Containment

An objective of this Code is to limit the probability that, as a result of the design or installation of the *plumbing system*, the public will be exposed to an unacceptable risk of illness due to the release of hazardous substances from the *building* or facility.

OP Protection of the Building or Facility from Water and Sewage Damage**OP5 Protection of the Building or Facility from Water and Sewage Damage**

An objective of this Code is to limit the probability that, as a result of the design or installation of the *plumbing system*, the *building* or facility will be exposed to an unacceptable risk of damage due to the leakage of service water or *sewage*.

Part 3

Functional Statements

3.1.	Application	
3.1.1.	Application	3- 1
3.2.	Functional Statements	
3.2.1.	Functional Statements	3- 1

Part 3

Functional Statements

Section 3.1. Application

3.1.1. Application

3.1.1.1. Application

1) This Part applies to all *plumbing systems* covered in this Code. (See Article 1.1.1.1.)

3.1.1.2. Application of Functional Statements

- 1)** The functional statements described in this Part apply
- a) to all *plumbing systems* covered in this Code (see Article 1.1.1.1.), and
 - b) only to the extent that they relate to compliance with this Code as required in Article 1.2.1.1.

Section 3.2. Functional Statements

3.2.1. Functional Statements

3.2.1.1. Functional Statements

1) The objectives of this Code are achieved by measures, such as those described in the acceptable solutions in Division B, that are intended to allow the *plumbing system* to perform the following functions (see Appendix A):

- F01** To minimize the risk of accidental ignition.
- F02** To limit the severity and effects of fire or explosions.
- F20** To support and withstand expected loads and forces.
- F21** To limit or accommodate dimensional change.
- F30** To minimize the risk of injury to persons as a result of tripping, slipping, falling, contact, drowning or collision.
- F31** To minimize the risk of injury to persons as a result of contact with hot surfaces or substances.
- F40** To limit the level of contaminants.
- F41** To minimize the risk of generation of contaminants.
- F43** To minimize the risk of release of hazardous substances.
- F45** To minimize the risk of the spread of disease through communal shower facilities.
- F46** To minimize the risk of contamination of *potable* water.
- F62** To facilitate the dissipation of water and moisture from the *building*.
- F70** To provide *potable* water.

- F71** To provide facilities for personal hygiene.
- F72** To provide facilities for the sanitary disposal of human and domestic wastes.

- F80** To resist deterioration resulting from expected service conditions.
- F81** To minimize the risk of malfunction, interference, damage, tampering, lack of use or misuse.
- F82** To minimize the risk of inadequate performance due to improper maintenance or lack of maintenance.

Appendix A

Explanatory Material

A-1.2.1.1.(1)(a) Code Compliance via Acceptable Solutions. If a plumbing system design (e.g. material, component, assembly or system) can be shown to meet all provisions of the applicable acceptable solutions in Division B (e.g. it complies with the applicable provisions of a referenced standard), it is deemed to have satisfied the objectives and functional statements linked to those provisions and thus to have complied with that part of the Code. In fact, if it can be determined that a design meets all the applicable acceptable solutions in Division B, there is no need to consult the objectives and functional statements in Division A to determine its compliance.

A-1.2.1.1.(1)(b) Code Compliance via Alternative Solutions. Where a design differs from the acceptable solutions in Division B, then it should be treated as an “alternative solution.” A proponent of an alternative solution must demonstrate that the alternative solution addresses the same issues as the applicable acceptable solutions in Division B and their attributed objectives and functional statements. However, because the objectives and functional statements are entirely qualitative, demonstrating compliance with them in isolation is not possible. Therefore, Clause 1.2.1.1.(1)(b) identifies the principle that Division B establishes the quantitative performance targets that alternative solutions must meet. In many cases, these targets are not defined very precisely by the acceptable solutions—certainly far less precisely than would be the case with a true performance code, which would have quantitative performance targets and prescribed methods of performance measurement for all aspects of building performance. Nevertheless, Clause 1.2.1.1.(1)(b) makes it clear that an effort must be made to demonstrate that an alternative solution will perform as well as a design that would satisfy the applicable acceptable solutions in Division B—not “well enough” but “as well as.”

In this sense, it is Division B that defines the boundaries between acceptable risks and the “unacceptable” risks referred to in the statements of the Code’s objectives, i.e. the risk remaining once the applicable acceptable solutions in Division B have been implemented represents the residual level of risk deemed to be acceptable by the broad base of Canadians who have taken part in the consensus process used to develop the Code.

Level of Performance

Where Division B offers a choice between several possible designs, it is likely that these designs may not all provide exactly the same level of performance. Among a number of possible designs satisfying acceptable solutions in Division B, the design providing the lowest level of performance should generally be considered to establish the minimum acceptable level of performance to be used in evaluating alternative solutions for compliance with the Code.

Sometimes a single design will be used as an alternative solution to several sets of acceptable solutions in Division B. In this case, the level of performance required of the alternative solution should be at least equivalent to the overall level of performance established by all the applicable sets of acceptable solutions taken as a whole.

Each provision in Division B has been analyzed to determine to what it applies and what it is intended to achieve. The resultant application and intent statements clarify what undesirable results each provision seeks to preclude. These statements are not a legal component of the Code, but are advisory in nature, and can help Code users establish performance targets for alternative solutions. They are published in the electronic version of the Code and as a separate document entitled “User’s Guide – NPC 2005, Application and Intent Statements,” which is only available on CD-ROM.

This Appendix is included for explanatory purposes only and does not form part of the requirements. The numbers that introduce each Appendix Note correspond to the applicable requirements in this Division. The figures are schematic only; they depict various parts of the plumbing system but do not include details. For an explanation of the symbols and abbreviations used in the figures, refer to the list provided at the end of the Code.

Areas of Performance

A subset of the acceptable solutions in Division B may establish criteria for particular types of designs (e.g. certain types of materials, components, assemblies, or systems). Often such subsets of acceptable solutions are all attributed to the same objective: Sanitation for example. In some cases, the designs that are normally used to satisfy this subset of acceptable solutions might also provide some benefits that could be related to some other objective: Protection of the Building or Facility from Water and Sewage Damage for example. However, if none of the applicable acceptable solutions are linked to Objective OP5, Protection of the Building or Facility from Water and Sewage Damage, it is not necessary that alternative solutions proposed to replace these acceptable solutions provide a similar benefit related to Protection of the Building or Facility from Water and Sewage Damage. In other words, the acceptable solutions in Division B establish acceptable levels of performance for compliance with the Code only in those areas defined by the objectives and functional statements attributed to the acceptable solutions.

Applicable Acceptable Solutions

In demonstrating that an alternative solution will perform as well as a design that would satisfy the applicable acceptable solutions in Division B, its evaluation should not be limited to comparison with the acceptable solutions to which an alternative is proposed. It is possible that acceptable solutions elsewhere in the Code also apply. The proposed alternative solution may be shown to perform as well as the most apparent acceptable solution, which it is replacing, but may not perform as well as other relevant acceptable solutions. For example, an innovative piping material may perform adequately in a drainage system but may not meet combustibility requirements elsewhere in the Code. All applicable acceptable solutions should be taken into consideration in demonstrating the compliance of an alternative solution.

A-1.4.1.2.(1) Defined Terms. ◇**Auxiliary Water Supply**

The auxiliary water supply may include water from a secondary potable water supply or from any natural source, such as a well, lake, spring, stream or harbour. It may also include waste water (but not sanitary drainage) from industrial processes, such as cooling towers, or from storm retention ponds. These sources may be polluted or contaminated and constitute an unacceptable water source over which the primary water purveyor does not have sanitary control. It is generally accepted that there are two categories of auxiliary water supply:

- (a) any public potable water supply over which the primary water purveyor does not have sanitary control, or
- (b) any private water supply, other than the primary potable water supply, that is on or available to the premises.

Class 3 Fire Sprinkler/Standpipe Systems

In Class 3 fire sprinkler/standpipe systems, water is supplied to the storage facilities from the public water supply and is maintained in potable condition. Class 3 fire sprinkler/standpipe systems resemble Class 1 fire sprinkler/standpipe systems in all other respects.

Clear-Water Waste

Examples of clear-water waste are the waste waters discharged from a drinking fountain, cooling jacket, air conditioner or relief valve outlet.

Emergency Floor Drains

There are two types of floor drains. One is an emergency floor drain installed to avoid flooding in a building from any pipe or fixture failure. The other encompasses floor drains installed to receive discharge from specific pieces of equipment; this type is defined as a fixture.

Illustrations for Defined Terms

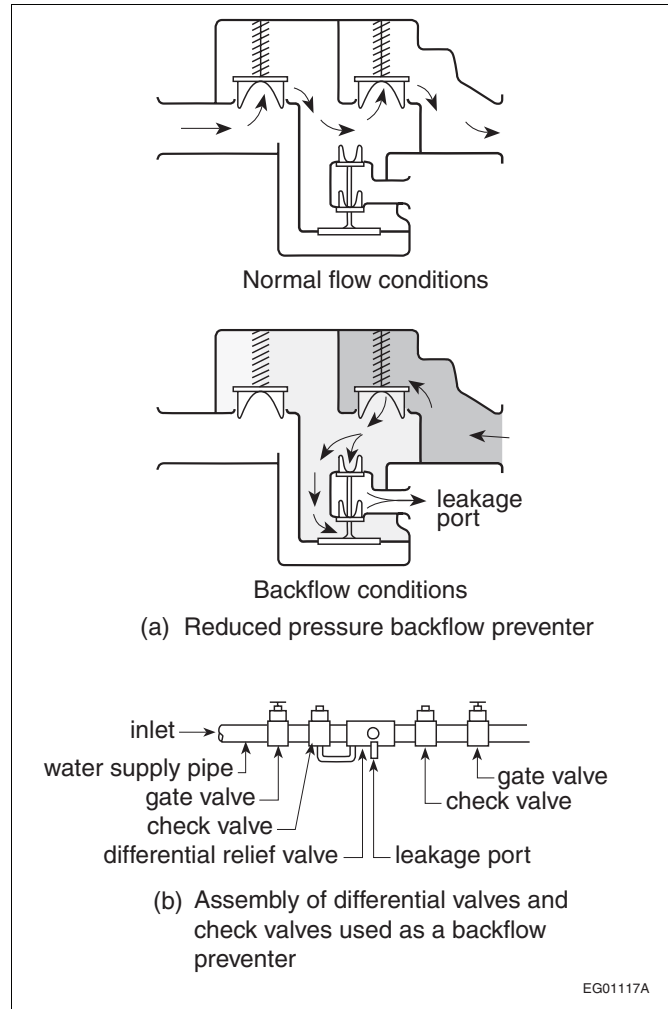
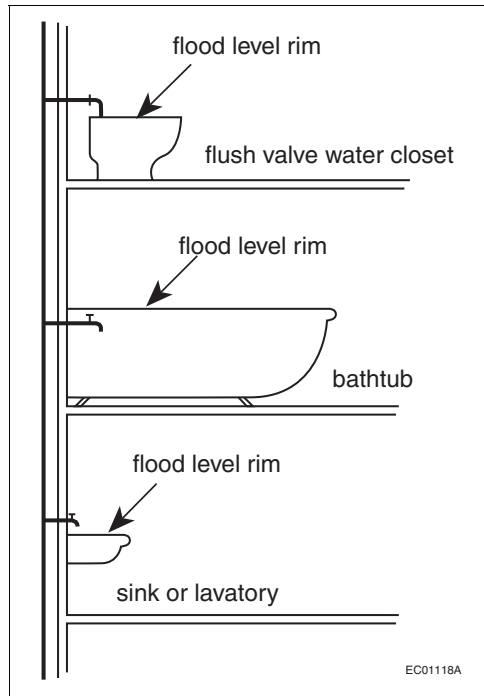


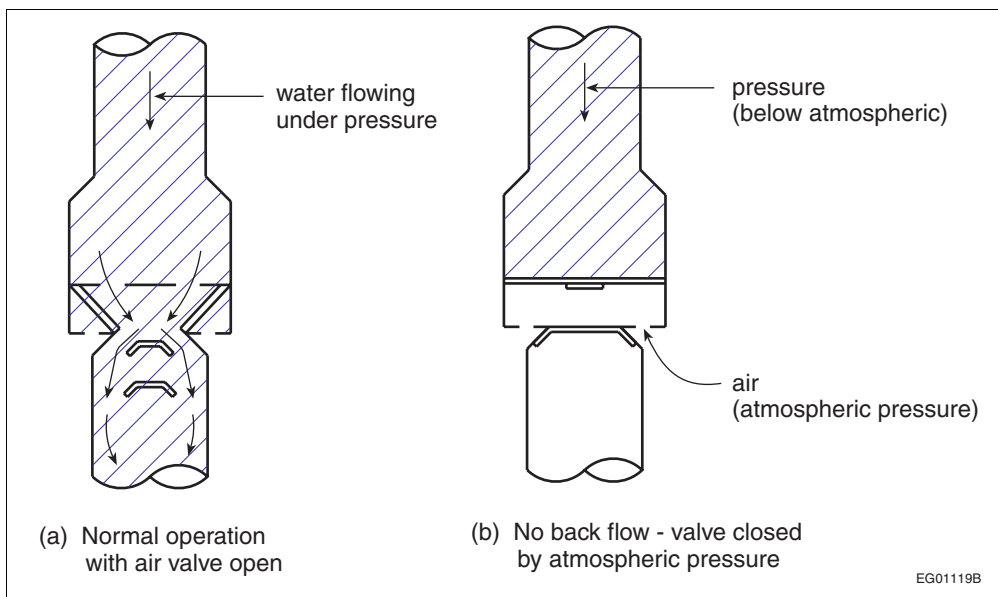
Figure A-1.4.1.2.(1)-A
Backflow Preventer



**Figure A-1.4.1.2.(1)-B
Back-Siphonage**

Notes to Figure A-1.4.1.2.(1)-B:

- (1) Figure A-1.4.1.2.(1)-B shows a situation that is fairly common in old buildings. If the bathtub is filled to a level above the faucet outlet, or if the flush valve of the water closet is faulty, and if the faucet at the sink or lavatory on the lower floor is opened, water can be drawn (siphoned) from the bathtub or the water closet into the water system when the pressure in the water system is low or the water supply has been shut off.
- (2) Back-siphonage can be prevented in the above situations by providing an air gap or a back-siphonage preventer (see Subsection 2.6.2. of Division B).



**Figure A-1.4.1.2.(1)-C
Back-Siphonage Preventer**

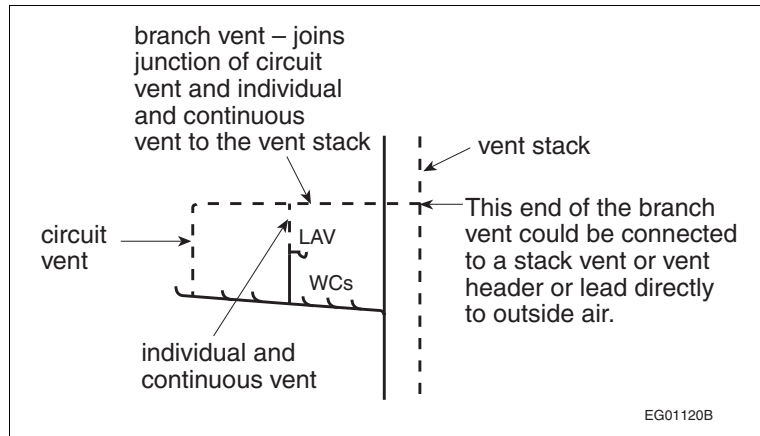


Figure A-1.4.1.2.(1)-D
Branch Vent ◊

Note to Figure A-1.4.1.2.(1)-D:

- (1) See also the definitions of header and drainage system in Article 1.4.1.2.

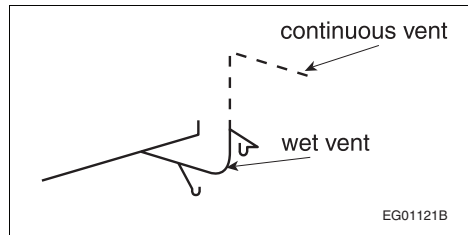


Figure A-1.4.1.2.(1)-E
Continuous Vent ◊

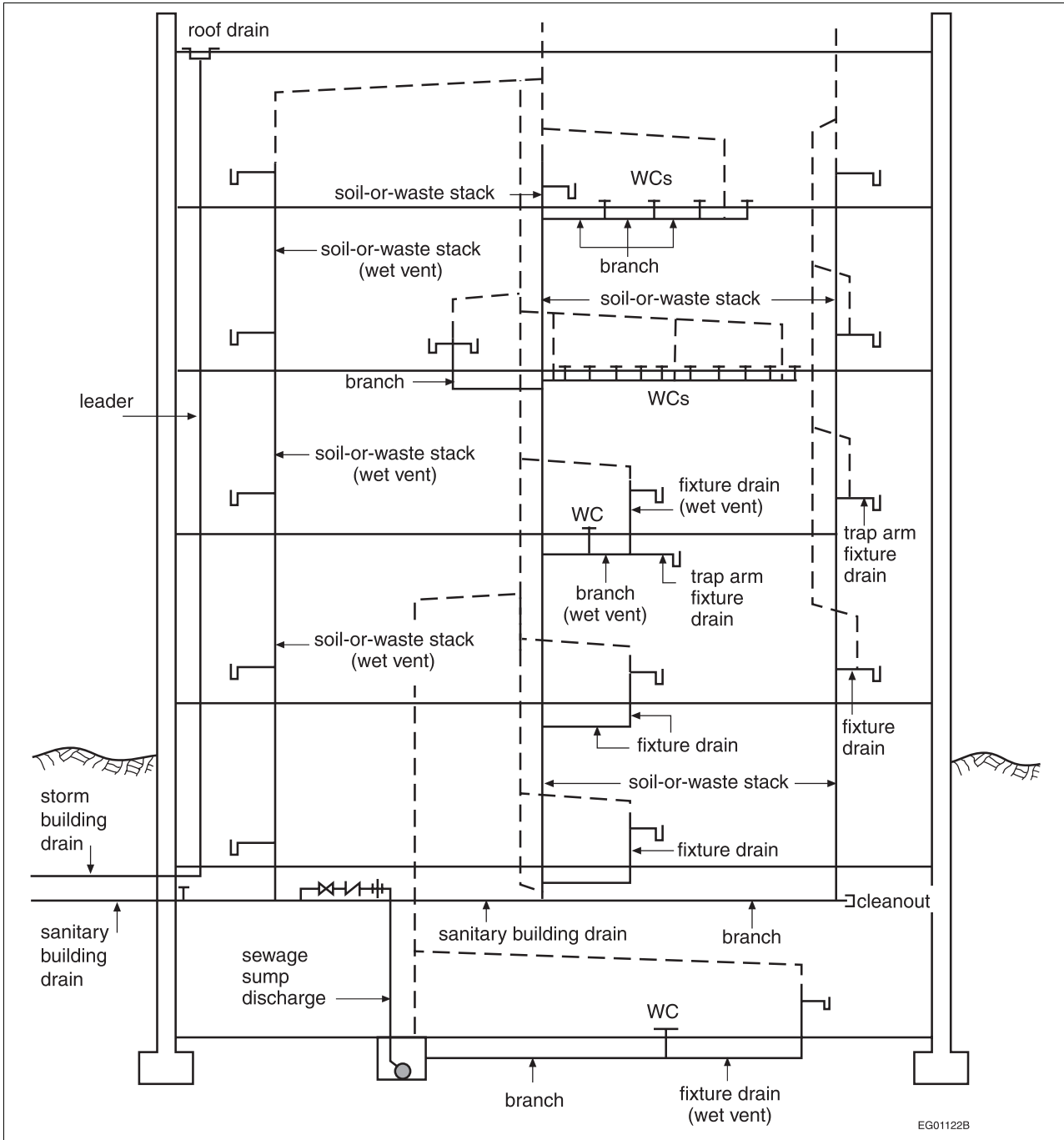


Figure A-1.4.1.2.(1)-F
Drainage System

Copyright © NRC 1941 - 2019 World Rights Reserved © CNRC 1941-2019 Droits réservés pour tous pays

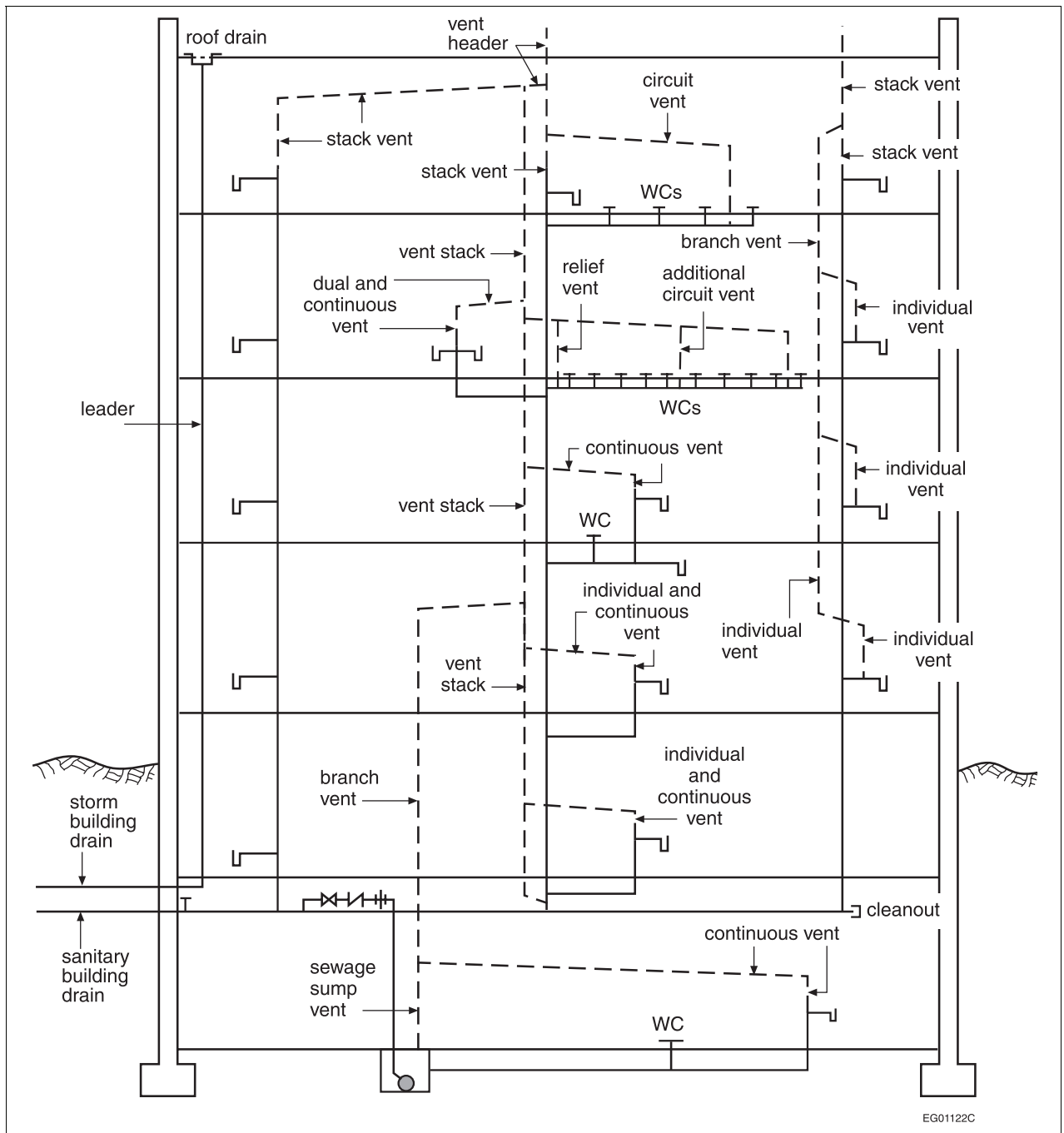


Figure A-1.4.1.2.(1)-G
Venting System

Copyright © NRC 1941 - 2019 World Rights Reserved © CNRC 1941-2019 Droits réservés pour tous pays

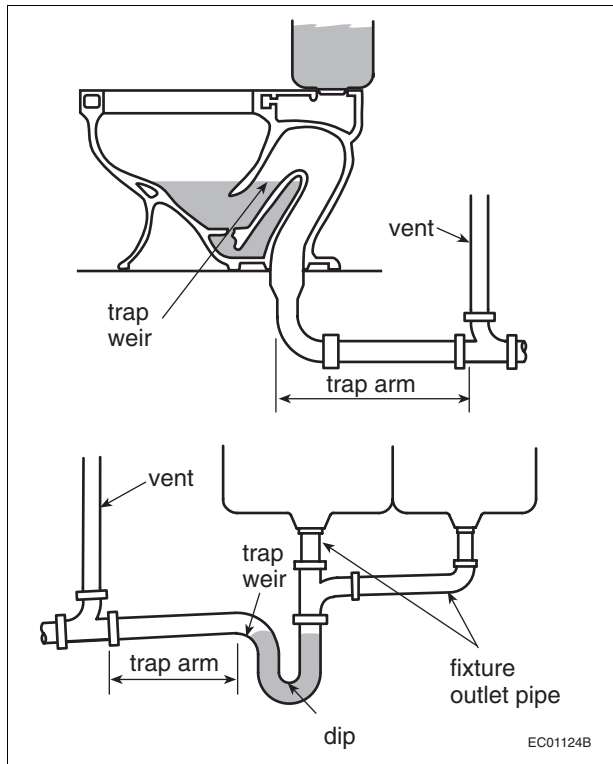


Figure A-1.4.1.2.(1)-H
Fixture Outlet Pipe and Trap Arm

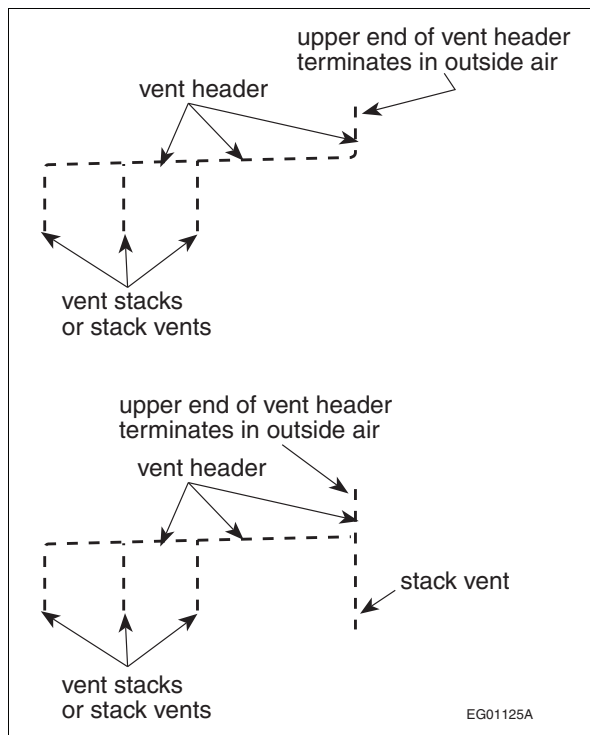


Figure A-1.4.1.2.(1)-I
Vent Header

Note to Figure A-1.4.1.2.(1)-I:

- (1) Although a vent header is similar to a branch vent, it serves the special purpose of connecting the tops of stack vents or vent stacks. To make certain that it is adequate for that purpose, it is made larger than a branch vent. The developed length used to determine its size is the total length from the most distant soil-or-waste pipe to outside air, rather than the shorter length used to size a branch vent.

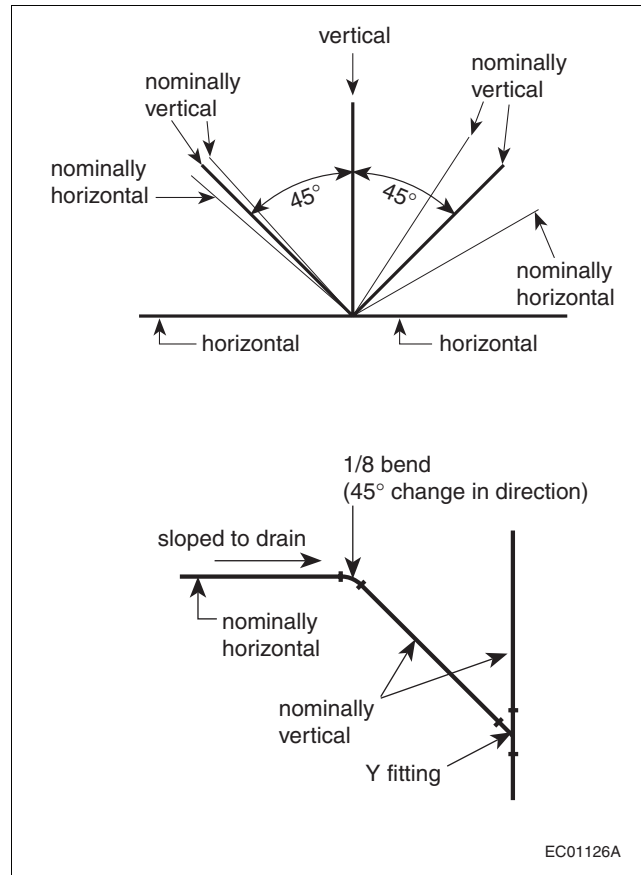
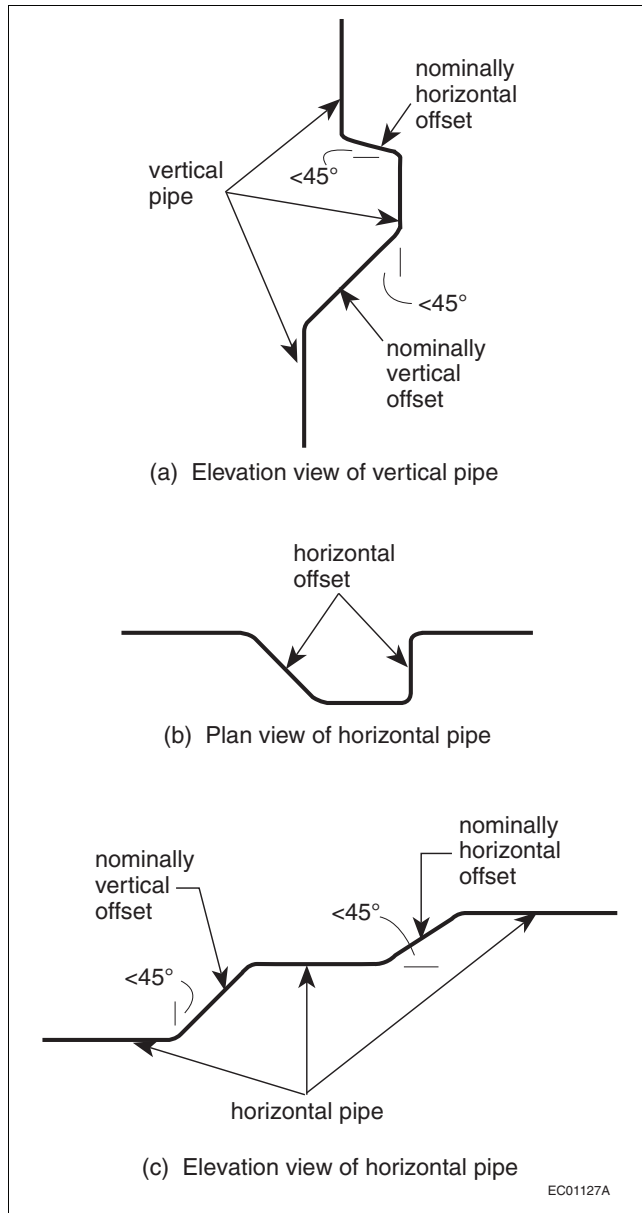


Figure A-1.4.1.2.(1)-J
Nominally Horizontal and Nominally Vertical



**Figure A-1.4.1.2.(1)-K
Offset**

Copyright © NRC 1941 - 2019 World Rights Reserved © CNRC 1941-2019 Droits réservés pour tous pays

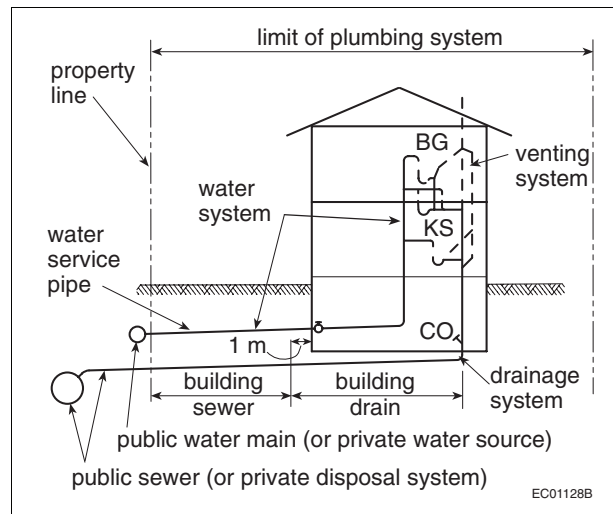


Figure A-1.4.1.2.(1)-L
Plumbing System

A-1.5.1.1.(1) Application of Referenced Documents. Documents referenced in the NPC may contain provisions covering a wide range of issues, including issues that are unrelated to the objectives and functional statements stated in Parts 2 and 3 of Division A respectively; e.g. conservation of water resources. Sentence 1.5.1.1.(1) is intended to make it clear that, whereas referencing a document in the NPC generally has the effect of making the provisions of that document part of the Code, provisions that are unrelated to plumbing systems or to the objectives and functional statements attributed to the provisions in Division B where the document is referenced are excluded.

Furthermore, many documents referenced in the NPC contain references to other documents, which may also, in turn, refer to other documents. These secondary and tertiary referenced documents may contain provisions that are unrelated to plumbing systems or to the objectives and functional statements of the NPC: such provisions—no matter how far down the chain of references they occur—are not included in the intent of Sentence 1.5.1.1.(1) of Division A.

A-2.2.1.1.(1) Objectives.

Listing of objectives

Any gaps in the numbering sequence of the objectives are due to the fact that there is a master list of objectives covering the three principal National Code Documents—the National Building Code, the National Fire Code and the National Plumbing Code—but not all objectives are pertinent to all Codes.

The building or facility

Where the term “the building or facility” is used in the wording of the objectives, it refers to the building or facility for which compliance with the National Plumbing Code is being assessed.

A-3.2.1.1.(1) Functional Statements.

Listing of functional statements

The numbered functional statements are grouped according to functions that deal with closely related subjects. For example, the first group deals with fire risks, the second group deals with the structural properties of piping materials, etc. There may be gaps in the numbering sequence for the following reasons:

- Each group has unused numbers which allows for the possible future creation of additional functional statements within any one group.
- There is a master list of functional statements covering the three principal National Code Documents—the National Building Code, the National Fire Code and the National Plumbing Code—but not all functional statements are pertinent to all Codes.



Division B

Acceptable Solutions



Part 1

General

1.1.	General	
1.1.1.	Application	1- 1
1.1.2.	Objectives and Functional Statements	1- 1
1.2.	Terms and Abbreviations	
1.2.1.	Definitions of Words and Phrases	1- 1
1.2.2.	Symbols and Other Abbreviations	1- 1
1.3.	Referenced Documents and Organizations	
1.3.1.	Referenced Documents	1- 2
1.3.2.	Organizations	1- 5

Part 1 General

Section 1.1. General

1.1.1. Application

1.1.1.1. Application

1) This Part applies to all *plumbing systems* covered in this Code. (See Article 1.1.1.1. of Division A.)

1.1.2. Objectives and Functional Statements

1.1.2.1. Attribution to Acceptable Solutions

1) For the purposes of compliance with this Code as required in Clause 1.2.1.1.(1)(b) of Division A, the objectives and functional statements attributed to the acceptable solutions in Division B shall be the objectives and functional statements identified in Section 2.8. (See Appendix A.)

Section 1.2. Terms and Abbreviations

1.2.1. Definitions of Words and Phrases

1.2.1.1. Non-defined Terms

1) Words and phrases used in Division B that are not included in the list of definitions in Article 1.4.1.2. of Division A shall have the meanings that are commonly assigned to them in the context in which they are used, taking into account the specialized use of terms by the various trades and professions to which the terminology applies.

2) Where objectives and functional statements are referred to in Division B, they shall be the objectives and functional statements described in Parts 2 and 3 of Division A.

3) Where acceptable solutions are referred to in Division B, they shall be the provisions stated in Part 2.

1.2.1.2. Defined Terms

1) The words and terms in italics in Division B shall have the meanings assigned to them in Article 1.4.1.2. of Division A.

1.2.2. Symbols and Other Abbreviations

1.2.2.1. Symbols and Other Abbreviations

1) The symbols and other abbreviations in Division B shall have the meanings assigned to them in Article 1.4.2.1. of Division A and Article 1.3.2.1.

Section 1.3. Referenced Documents and Organizations

1.3.1. Referenced Documents

1.3.1.1. Effective Date

1) Unless otherwise specified herein, the documents referenced in this Code shall include all amendments, revisions and supplements effective to 30 June, 2004.

1.3.1.2. Applicable Editions

1) Where documents are referenced in this Code, they shall be the editions designated in Table 1.3.1.2. (See Appendix A.)

Table 1.3.1.2.
Documents Referenced in the National Plumbing Code of Canada 2005 ★
 Forming Part of Sentence 1.3.1.2.(1)

Issuing Agency	Document Number	Title of Document	Code Reference
ANSI/CSA	ANSI Z21.22-1999/CSA 4.4-M99	Relief Valves for Hot Water Supply Systems	2.2.10.11.(1)
ANSI/CSA	ANSI Z21.22a-2000/CSA 4.4a-2000	Addenda 1 to ANSI Z21.22-1999/CSA 4.4-M99, Relief Valves for Hot Water Supply Systems	2.2.10.11.(1)
ANSI/CSA	ANSI Z21.22b-2001/CSA 4.4b-2001	Addenda 2 to ANSI Z21.22-1999/CSA 4.4-M99, Relief Valves for Hot Water Supply Systems	2.2.10.11.(1)
ASME	ANSI/ASME B16.3-2006	Malleable Iron Threaded Fittings, Classes 150 and 300	2.2.6.6.(1)
ASME	ANSI/ASME B16.4-2006	Gray Iron Threaded Fittings, Classes 125 and 250	2.2.6.5.(1)
ASME	ANSI/ASME B16.12-1998	Cast Iron Threaded Drainage Fittings	2.2.6.3.(1)
ASME	ANSI/ASME B16.15-2006	Cast Copper Alloy Threaded Fittings, Classes 125 and 250	2.2.7.3.(1)
ASME	B16.18-2001	Cast Copper Alloy Solder-Joint Pressure Fittings	2.2.7.6.(1) 2.2.7.6.(2)
ASME	ANSI/ASME B16.22-2001	Wrought Copper and Copper Alloy Solder Joint Pressure Fittings	2.2.7.6.(1)
ASME	ANSI/ASME B16.23-2002	Cast Copper Alloy Solder Joint Drainage Fittings: DWV	2.2.7.5.(1)
ASME	ANSI/ASME B16.24-2001	Cast Copper Alloy Pipe Flanges and Flanged Fittings: Classes 150, 300, 400, 600, 900, 1500, and 2500	2.2.7.2.(1)
ASME	ANSI/ASME B16.26-2006	Cast Copper Alloy Fittings for Flared Copper Tubes	2.2.7.7.(1) 2.2.7.7.(2)
ASME	ANSI/ASME B16.29-2001	Wrought Copper and Wrought Copper Alloy Solder Joint Drainage Fittings – DWV	2.2.7.5.(1)
ASME/CSA	ASME A112.18.1-05/ CAN/CSA-B125.1-05	Plumbing Supply Fittings	2.2.10.6.(1) 2.2.10.7.(1)
ASME/CSA	ASME A112.18.2-05/ CAN/CSA-B125.2-05	Plumbing Waste Fittings	2.2.3.3.(1) 2.2.10.6.(2)
ASSE	ANSI/ASSE 1010-2004	Water Hammer Arresters	2.2.10.15.(1)
ASSE	1051-2002	Individual and Branch Type Air Admittance Valves for Sanitary Drainage Systems	2.2.10.16.(1)
ASTM	A 53/A 53M-06a	Pipe, Steel, Black and Hot-Dipped, Zinc-Coated, Welded and Seamless	2.2.6.7.(4)
ASTM	A 518/A 518M-99	Corrosion-Resistant High-Silicon Iron Castings	2.2.8.1.(1)
ASTM	B 32-04	Solder Metal	2.2.9.2.(1)
ASTM	B 42-02e1	Seamless Copper Pipe, Standard Sizes	2.2.7.1.(1)
ASTM	B 43-98	Seamless Red Brass Pipe, Standard Sizes	2.2.7.1.(2)

Table 1.3.1.2. (Continued)

Issuing Agency	Document Number	Title of Document	Code Reference
ASTM	B 88-03	Seamless Copper Water Tube	2.2.7.4.(1)
ASTM	B 306-02	Copper Drainage Tube (DWV)	2.2.7.4.(1)
ASTM	B 813-00e1	Liquid and Paste Fluxes for Soldering of Copper and Copper Alloy Tube	2.2.9.2.(3)
ASTM	B 828-02	Making Capillary Joints by Soldering of Copper and Copper Alloy Tube and Fittings	2.3.2.4.(1)
ASTM	C 1053-00	Borosilicate Glass Pipe and Fittings for Drain, Waste, and Vent (DWV) Applications	2.2.8.1.(1)
ASTM	D 2466-06	Poly(Vinyl Chloride) (PVC) Plastic Pipe Fittings, Schedule 40	2.2.5.8.(2)
ASTM	D 2467-06	Poly(Vinyl Chloride) (PVC) Plastic Pipe Fittings, Schedule 80	2.2.5.8.(2)
ASTM	D 3261-03	Butt Heat Fusion Polyethylene (PE) Plastic Fittings for Polyethylene (PE) Plastic Pipe and Tubing	2.2.5.5.(3)
ASTM	F 628-06e1	Acrylonitrile-Butadiene-Styrene (ABS) Schedule 40 Plastic Drain, Waste, and Vent Pipe With a Cellular Core	2.2.5.10.(1) 2.2.5.12.(1)
ASTM	F 714-06a	Polyethylene (PE) Plastic Pipe (SDR-PR) Based on Outside Diameter	2.2.5.6.(1)
AWWA	ANSI/AWWA C104/A21.4-2004	Cement-Mortar Lining for Ductile-Iron Pipe and Fittings for Water	2.2.6.4.(2)
AWWA	ANSI/AWWA C110/A21.10-2003	Ductile-Iron and Gray-Iron Fittings, 3 in. Through 48 in. (75 mm Through 1200 mm), for Water and Other Liquids	2.2.6.4.(3)
AWWA	C111/A21.11-2007	Rubber-Gasket Joints for Ductile-Iron Pressure Pipe and Fittings	2.2.6.4.(4)
AWWA	ANSI/AWWA C151/A21.51-2002	Ductile-Iron Pipe, Centrifugally Cast, for Water or Other Liquids	2.2.6.4.(1)
CCBFC	NRCC 47666	National Building Code of Canada 2005	1.1.1.1.(3) ⁽¹⁾ 1.4.1.2.(1) ⁽¹⁾ 2.1.3.1.(1) 2.2.5.12.(2) 2.2.5.12.(3) 2.2.6.7.(3) 2.4.3.1.(1) 2.4.10.4.(1)
CCBFC	NRCC 47667	National Fire Code of Canada 2005	2.5.5.2.
CGSB	CAN/CGSB-34.1-94	Asbestos-Cement Pressure Pipe	2.2.5.2.(1)
CGSB	CAN/CGSB-34.9-94	Asbestos-Cement Sewer Pipe	2.2.5.1.(2)
CGSB	CAN/CGSB-34.22-94	Asbestos-Cement Drain Pipe	2.2.5.1.(1)
CGSB	CAN/CGSB-34.23-94	Asbestos-Cement House Connection Sewer Pipe	2.2.5.1.(2)
CSA	A60.1-M1976	Vitrified Clay Pipe	2.2.5.4.(1)
CSA	A60.3-M1976	Vitrified Clay Pipe Joints	2.2.5.4.(2)
CSA	CAN/CSA-A257.1-03	Non-Reinforced Circular Concrete Culvert, Storm Drain, Sewer Pipe, and Fittings	2.2.5.3.(1)
CSA	CAN/CSA-A257.2-03	Reinforced Circular Concrete Culvert, Storm Drain, Sewer Pipe, and Fittings	2.2.5.3.(1)
CSA	CAN/CSA-A257.3-03	Joints for Circular Concrete Sewer and Culvert Pipe, Manhole Sections, and Fittings Using Rubber Gaskets	2.2.5.3.(2)
CSA	CAN/CSA-A257.4-03	Precast Reinforced Circular Concrete Manhole Sections, Catch Basins, and Fittings	2.2.5.3.(5)
CSA	CAN/CSA-B45 Series-02	Plumbing Fixtures	2.2.2.2.(1)
CSA	CAN/CSA-B45.1-02	Ceramic Plumbing Fixtures	2.2.2.2.(2)
CSA	CAN/CSA-B45.2-02	Enamelled Cast Iron Plumbing Fixtures	2.2.2.2.(3)

Table 1.3.1.2. (Continued)

Issuing Agency	Document Number	Title of Document	Code Reference
CSA	CAN/CSA-B45.3-02	Porcelain-Enamelled Steel Plumbing Fixtures	2.2.2.2.(4)
CSA	CAN/CSA-B45.4-02	Stainless Steel Plumbing Fixtures	2.2.2.2.(5)
CSA	CAN/CSA-B45.5-02	Plastic Plumbing Fixtures	2.2.2.2.(6)
CSA	CAN/CSA-B45.9-02	Macerating Systems and Related Components	2.2.2.2.(8)
CSA	CAN/CSA-B45.10-01	Hydromassage Bathtubs	2.2.2.2.(7)
CSA	CAN/CSA-B64.0-01	Definitions, General Requirements, and Test Methods for Vacuum Breakers and Backflow Preventers	2.2.10.10.(1)
CSA	CAN/CSA-B64.1.1-01	Vacuum Breakers, Atmospheric Type (AVB)	2.2.10.10.(1)
CSA	CAN/CSA-B64.1.2-01	Vacuum Breakers, Pressure Type (PVB)	2.2.10.10.(1)
CSA	CAN/CSA-B64.2-01	Vacuum Breakers, Hose Connection Type (HCVB)	2.2.10.10.(1)
CSA	CAN/CSA-B64.2.1-01	Vacuum Breakers, Hose Connection Type (HCVB) with Manual Draining Feature	2.2.10.10.(1)
CSA	CAN/CSA-B64.2.2-01	Vacuum Breakers, Hose Connection Type (HCVB) with Automatic Draining Feature	2.2.10.10.(1)
CSA	CAN/CSA-B64.3-01	Backflow Preventers, Dual Check Valve Type with Atmospheric Port (DCAP)	2.2.10.10.(1)
CSA	CAN/CSA-B64.4-01	Backflow Preventers, Reduced Pressure Principle Type (RP)	2.2.10.10.(1)
CSA	CAN/CSA-B64.4.1-01	Backflow Preventers, Reduced Pressure Principle Type for Fire Systems (RPF)	2.6.2.4.(2) 2.6.2.4.(4)
CSA	CAN/CSA-B64.5-01	Backflow Preventers, Double Check Valve Type (DCVA)	2.2.10.10.(1)
CSA	CAN/CSA-B64.5.1-01	Backflow Preventers, Double Check Valve Type for Fire Systems (DCVAF)	2.6.2.4.(2)
CSA	CAN/CSA-B64.6-01	Backflow Preventers, Dual Check Valve Type (DuC)	2.2.10.10.(1)
CSA	CAN/CSA-B64.6.1-01	Backflow Preventers, Dual Check Valve Type for Fire Systems (DuCF)	2.6.2.4.(2)
CSA	CAN/CSA-B64.7-01	Vacuum Breakers, Laboratory Faucet Type (LFVB)	2.2.10.10.(1)
CSA	CAN/CSA-B64.8-01	Backflow Preventers, Dual Check Valve Type with Intermediate Vent (DuCV)	2.2.10.10.(1)
CSA	CAN/CSA-B64.9-01	Backflow Preventers, Single Check Valve Type for Fire Systems (SCVAF)	2.6.2.4.(2)
CSA	CAN/CSA-B64.10-01	Manual for the Selection and Installation of Backflow Prevention Devices	2.6.2.1.(3)
CSA	B70-06	Cast Iron Soil Pipe, Fittings, and Means of Joining	2.2.6.1.(1) 2.4.6.4.(2)
CSA	CAN/CSA-B125.3-05	Plumbing Fittings	2.2.10.6.(1) 2.2.10.7.(2) 2.2.10.10.(2)
CSA	CAN/CSA-B127.1-99	Asbestos Cement Drain, Waste and Vent Pipe and Pipe Fittings	2.2.5.1.(1) 2.2.6.2.(1)
CSA	B127.2-M1977	Components for Use in Asbestos Cement Building Sewer Systems	2.2.5.1.(2) 2.2.6.2.(1)
CSA	B137.1-05	Polyethylene (PE) Pipe, Tubing, and Fittings for Cold-Water Pressure Services	2.2.5.5.(1)
CSA	B137.2-05	Polyvinylchloride (PVC) Injection-Moulded Gasketed Fittings for Pressure Applications	2.2.5.8.(3)
CSA	B137.3-05	Rigid Polyvinyl Chloride (PVC) Pipe for Pressure Applications	2.2.5.8.(1)
CSA	B137.5-05	Crosslinked Polyethylene (PEX) Tubing Systems for Pressure Applications	2.2.5.7.(1)

Table 1.3.1.2. (Continued)

Issuing Agency	Document Number	Title of Document	Code Reference
CSA	B137.6-05	Chlorinated Polyvinylchloride (CPVC) Pipe, Tubing, and Fittings for Hot- and Cold-Water Distribution Systems	2.2.5.9.(1)
CSA	B137.9-05	Polyethylene/Aluminum/Polyethylene (PE-AL-PE) Composite Pressure-Pipe Systems	2.2.5.13.(1)
CSA	B137.10-05	Crosslinked Polyethylene/Aluminum/Crosslinked Polyethylene (PEX-AL-PEX) Composite Pressure-Pipe Systems	2.2.5.13.(4) 2.2.5.14.(1)
CSA	B137.11-05	Polypropylene (PP-R) Pipe and Fittings for Pressure Applications	2.2.5.15.(1)
CSA	B158.1-1976	Cast Brass Solder Joint Drainage, Waste and Vent Fittings	2.2.10.1.(1)
CSA	B181.1-06	Acrylonitrile-Butadiene-Styrene (ABS) Drain, Waste, and Vent Pipe and Pipe Fittings	2.2.5.10.(1) 2.2.5.11.(1) 2.2.5.12.(1) 2.4.6.4.(2)
CSA	B181.2-06	Polyvinylchloride (PVC) and Chlorinated Polyvinylchloride (CPVC) Drain, Waste, and Vent Pipe and Pipe Fittings	2.2.5.10.(1) 2.2.5.11.(1) 2.2.5.12.(1) 2.4.6.4.(2)
CSA	B181.3-06	Polyolefin and Polyvinylidene Fluoride (PVDF) Laboratory Drainage Systems	2.2.8.1.(1)
CSA	B182.1-06	Plastic Drain and Sewer Pipe and Pipe Fittings	2.2.5.10.(1) 2.4.6.4.(2)
CSA	B182.2-06	PSM Type Polyvinylchloride (PVC) Sewer Pipe and Fittings	2.2.5.10.(1)
CSA	B182.4-06	Profile Polyvinylchloride (PVC) Sewer Pipe and Fittings	2.2.5.10.(1)
CSA	B182.6-06	Profile Polyethylene (PE) Sewer Pipe and Fittings For Leak-Proof Sewer Applications	2.2.5.10.(1)
CSA	B182.7-06	PSM Type Multilayer Polyvinylchloride (PVC) Sewer Pipe Having Reprocessed-Recycled Content	2.2.5.10.(1)
CSA	B242-05	Groove- and Shoulder-Type Mechanical Pipe Couplings	2.2.10.4.(1)
CSA	B272-93	Prefabricated Self-Sealing Roof Vent Flashings	2.2.10.14.(2)
CSA	CAN/CSA-B356-00	Water Pressure Reducing Valves for Domestic Water Supply Systems	2.2.10.12.(1)
CSA	CAN/CSA-B602-05	Mechanical Couplings for Drain, Waste, and Vent Pipe and Sewer Pipe	2.2.10.4.(2)
CSA	CAN/CSA-F379.1-88	Solar Domestic Hot Water Systems (Liquid to Liquid Heat Transfer)	2.2.10.13.(1)
CSA	CAN/CSA-F383-87	Installation Code for Solar Domestic Hot Water Systems	2.6.1.8.(1)
CSA	G401-01	Corrugated Steel Pipe Products	2.2.6.8.(1)
ULC	CAN/ULC-S114-05	Test for Determination of Non-Combustibility in Building Materials	1.4.1.2.(1) ⁽¹⁾

Notes to Table 1.3.1.2.:

(1) Code reference is in Division A.

1.3.2. Organizations

1.3.2.1. Abbreviations of Proper Names ◊

1) The abbreviations of proper names in this Code shall have the meanings assigned to them in this Article (the appropriate addresses of the organizations are shown in brackets).

ANSI American National Standards Institute (25 West 43rd Street, 4th Floor, New York, New York 10036 U.S.A.; www.ansi.org)

- ASHRAE American Society of Heating, Refrigerating and Air-Conditioning Engineers (1791 Tullie Circle, N.E., Atlanta, Georgia 30329-2305 U.S.A.; www.ashrae.org)
- ASME American Society of Mechanical Engineers (22 Law Drive, P.O. Box 2900, Fairfield, New Jersey 07007-2900 U.S.A.; www.asme.org)
- ASPE American Society of Plumbing Engineers (8614 Catalpa Avenue, Suite 1007, Chicago, Illinois 60656-1116 U.S.A.; www.aspe.org)
- ASSE American Society of Sanitary Engineering (A-901 Canterbury Road, West Lake, Ohio 44145 U.S.A.; www.asse-plumbing.org)
- ASTM American Society for Testing and Materials International (100 Barr Harbor Drive, West Conshohocken, Pennsylvania 19428-2959 U.S.A.; www.astm.org)
- AWWA American Water Works Association (6666 West Quincy Avenue, Denver, Colorado 80235 U.S.A.; www.awwa.org)
- CAN National Standard of Canada designation (The number or name following the CAN designation represents the agency under whose auspices the standard is issued.
CAN 1 designates CGA,
CAN 2 designates CGSB,
CAN 3 designates CSA, and
CAN 4 designates ULC.)
- CCBFC Canadian Commission on Building and Fire Codes (National Research Council of Canada, Ottawa, Ontario K1A 0R6; www.nationalcodes.ca)
- CGSB Canadian General Standards Board (Place du Portage, Phase III, 6B1, 11 Laurier Street, Gatineau, Quebec K1A 1G6; www.pwgsc.gc.ca/cgsb)
- CSA Canadian Standards Association (5060 Spectrum Way, Suite 100, Mississauga, Ontario L4W 5N6; www.csa.ca)
- IRC Institute for Research in Construction (National Research Council of Canada, Ottawa, Ontario K1A 0R6; irc.nrc-cnrc.gc.ca)
- MSC Meteorological Service of Canada [formerly AES – Atmospheric Environment Service] (Environment Canada, 4905 Dufferin Street, Toronto, Ontario M3H 5T4; www.msc-smc.ec.gc.ca)
- NBC National Building Code of Canada 2005 (see CCBFC)
- NFC National Fire Code of Canada 2005 (see CCBFC)
- NFPA National Fire Protection Association (1 Batterymarch Park, Quincy, Massachusetts 02169-7471 U.S.A.; www.nfpa.org)
- NIST National Institute of Standards and Technology (100 Bureau Drive, Stop 1070, Gaithersburg, Maryland 20899-1070 U.S.A.; www.nist.gov)
- NPC National Plumbing Code of Canada 2005 (see CCBFC)
- NRC National Research Council of Canada (Ottawa, Ontario K1A 0R6; www.nrc-cnrc.gc.ca)
- ULC Underwriters' Laboratories of Canada (7 Underwriters Road, Toronto, Ontario M1R 3B4; www.ulc.ca)

Part 2

Plumbing Systems

2.1.	General	
2.1.1.	Application	2- 1
2.1.2.	Service Connections	2- 1
2.1.3.	Location of Fixtures	2- 1
2.2.	Materials and Equipment	
2.2.1.	General	2- 2
2.2.2.	Fixtures	2- 2
2.2.3.	Traps and Interceptors	2- 3
2.2.4.	Pipe Fittings	2- 4
2.2.5.	Non-Metallic Pipe and Fittings	2- 4
2.2.6.	Ferrous Pipe and Fittings	2- 8
2.2.7.	Non-Ferrous Pipe and Fittings	2- 9
2.2.8.	Corrosion-Resistant Materials	2-11
2.2.9.	Joining Materials	2-11
2.2.10.	Miscellaneous Materials	2-11
2.3.	Piping	
2.3.1.	Application	2-13
2.3.2.	Construction and Use of Joints	2-14
2.3.3.	Joints and Connections	2-15
2.3.4.	Support of Piping	2-16
2.3.5.	Protection of Piping	2-18
2.3.6.	Testing of Drainage or Venting Systems	2-18
2.3.7.	Testing of Potable Water Systems	2-20
2.4.	Drainage Systems	
2.4.1.	Application	2-20
2.4.2.	Connections to Drainage Systems	2-20
2.4.3.	Location of Fixtures	2-21
2.4.4.	Treatment of Sewage and Wastes	2-22
2.4.5.	Traps	2-23
2.4.6.	Arrangement of Drainage Piping ..	2-24
2.4.7.	Cleanouts	2-25
2.4.8.	Minimum Slope and Length of Drainage Pipes	2-27
2.4.9.	Size of Drainage Pipes	2-27
2.4.10.	Hydraulic Loads	2-29

2.5.	Venting Systems	
2.5.1.	Vent Pipes for Traps	2-34
2.5.2.	Wet Venting	2-34
2.5.3.	Circuit Venting	2-35
2.5.4.	Vent Pipes for Soil-or-Waste Stacks	2-36
2.5.5.	Miscellaneous Vent Pipes	2-37
2.5.6.	Arrangement of Vent Pipes	2-38
2.5.7.	Minimum Size of Vent Pipes	2-40
2.5.8.	Sizing of Vent Pipes	2-41
2.5.9.	Air Admittance Valves	2-44
2.6.	Potable Water Systems	
2.6.1.	Arrangement of Piping	2-44
2.6.2.	Protection from Contamination	2-47
2.6.3.	Size and Capacity of Pipes	2-49
2.7.	Non-Potable Water Systems	
2.7.1.	Connection	2-51
2.7.2.	Identification	2-51
2.7.3.	Location	2-51
2.8.	Objectives and Functional Statements	
2.8.1.	Objectives and Functional Statements	2-52

Part 2

Plumbing Systems

Section 2.1. General

2.1.1. Application

2.1.1.1. Application

1) This Part applies to all *plumbing systems* covered in this Code. (See Article 1.1.1.1. of Division A.)

2.1.2. Service Connections

2.1.2.1. Sanitary Drainage Systems

1) Every *sanitary drainage system* shall be connected to a public *sanitary sewer*, a public *combined sewer* or a *private sewage disposal system*.

2) A *combined building drain* shall not be installed. (See Appendix A.)

2.1.2.2. Storm Drainage Systems

1) Every *storm drainage system* shall be connected to a public *storm sewer*, a public *combined sewer* or a designated *storm water* disposal location.

2.1.2.3. Water Distribution Systems

1) Every *water distribution system* shall be connected to a public water main or a *potable private water supply system*.

2.1.2.4. Separate Services

1) Piping in any *building* connected to the public services shall be connected separately from piping of any other *building*, except that an ancillary *building* on the same property may be served by the same service. (See Appendix A.)

2.1.3. Location of Fixtures

2.1.3.1. Lighting and Ventilation Requirements

1) Plumbing *fixtures* shall not be installed in a room that is not lighted and ventilated in accordance with the appropriate requirements in Parts 3 and 9 of Division B of the NBC.

2.1.3.2. Accessibility

1) Every *fixture*, appliance, *interceptor*, *cleanout*, valve, device or piece of equipment shall be located so that it is readily accessible for use, cleaning and maintenance.

Section 2.2. Materials and Equipment

2.2.1. General

2.2.1.1. Exposure of Materials

- 1) Where unusual conditions exist, such as excessively corrosive soil or water, only materials suited for use in such locations shall be used.
- 2) Materials and equipment used in a *drainage system* where excessively corrosive wastes are present shall be suitable for the purpose.

2.2.1.2. Restrictions on Re-Use

- 1) Materials and equipment that have been used for a purpose other than the distribution of *potable water* shall not be subsequently used in a *potable water system*.

2.2.1.3. Identification

- 1) Every length of pipe and every fitting shall
 - a) have cast, stamped or indelibly marked on it the maker's name or mark and the weight or class or quality of the product, or
 - b) be marked in accordance with the relevant standard.
- 2) Markings required in Sentence (1) shall be visible after installation.

2.2.1.4. Pipe or Piping

- 1) Where the term pipe or piping is used, it shall also apply to tube or tubing unless otherwise stated.

2.2.1.5. Withstanding Pressure

- 1) Piping, fittings and joints used in pressure sewer, forcemain or sump pump discharge applications shall be capable of withstanding at least one and one-half times the maximum potential pressure.

2.2.1.6. Working Pressure of a Water Service Pipe

- 1) The working pressure rating of a *water service pipe* shall not be less than the maximum water main pressure at their point of connection as established by the water supply authority.

2.2.2. Fixtures

2.2.2.1. Surface Requirements

- 1) Every *fixture* shall have a smooth, hard, corrosion-resistant surface free from flaws and blemishes that may interfere with cleaning.

2.2.2.2. Conformance to Standards

- 1) Every *fixture* shall conform to CAN/CSA-B45 Series, "Plumbing Fixtures," as applicable.
- 2) Every vitreous china *fixture* shall conform to CAN/CSA-B45.1, "Ceramic Plumbing Fixtures."
- 3) Every enamelled cast-iron *fixture* shall conform to CAN/CSA-B45.2, "Enamelled Cast Iron Plumbing Fixtures."
- 4) Every porcelain-enamelled steel *fixture* shall conform to CAN/CSA-B45.3, "Porcelain-Enamelled Steel Plumbing Fixtures."
- 5) Every stainless steel *fixture* shall conform to CAN/CSA-B45.4, "Stainless Steel Plumbing Fixtures."

6) Every plastic *fixture* shall conform to CAN/CSA-B45.5, "Plastic Plumbing Fixtures."

7) Every hydromassage bathtub shall conform to CAN/CSA-B45.10, "Hydromassage Bathtubs."

8) Macerating toilet systems for single bathrooms shall conform to CAN/CSA-B45.9, "Macerating Systems and Related Components."

2.2.2.3. Showers

1) Every shower receptor shall be constructed and arranged so that water cannot leak through the walls or floor.

2) Not more than 6 shower heads shall be served by a single shower drain.

3) Where 2 or more shower heads are served by a shower drain, the floor shall be sloped and the drain located so that water from one head cannot flow over the area that serves another head. (See Appendix A.)

4) Except for column showers, when a battery of shower heads is installed, the horizontal distance between 2 adjacent shower heads shall be not less than 750 mm.

2.2.2.4. Concealed Overflows

1) A dishwashing sink and a food preparation sink shall not have concealed overflows. (See Appendix A.)

2.2.2.5. Water Closets in Public Washrooms

1) When a water closet is installed in a washroom for *public use*, it shall be of the elongated type and provided with a seat of the open front type.

2.2.3. Traps and Interceptors

2.2.3.1. Traps

1) Except as provided for in Sentence (2), every *trap* shall

- have a *trap seal depth* of not less than 38 mm,
- be so designed that failure of the seal walls will cause exterior leakage, and
- have a water seal that does not depend on the action of moving parts.

(See Appendix A.)

2) The *trap seal depth* on *fixtures* draining to an acid waste system shall be a minimum of 50 mm.

3) Every *trap* that serves a lavatory, a sink or a laundry tray shall

- be provided with a *cleanout* plug located at the lowest point of the *trap* and of the same material as the *trap*, except that a cast-iron *trap* shall be provided with a brass *cleanout* plug, or
- be designed so that part of the *trap* can be removed for cleaning purposes.

(See Appendix A.)

4) A bell *trap* shall not be installed in a *drainage system*. (See Appendix A.)

5) A drum *trap* shall not be used as a *fixture trap* unless required to serve as an *interceptor* and access for servicing is provided.

2.2.3.2. Interceptors

1) Every *interceptor* shall be designed so that it can be readily cleaned.

2) Every grease *interceptor* shall

- be designed so that it does not become air bound, and
- not have a water jacket.

2.2.3.3.**2.2.3.3. Tubular Traps ★**

1) Tubular metal or plastic *traps* conforming to ASME A112.18.2/CAN/CSA-B125.2, "Plumbing Waste Fittings," shall be used only in accessible locations.

2.2.4. Pipe Fittings**2.2.4.1. T and Cross Fittings**

(See Appendix A.)

- 1)** A T fitting shall not be used in a *drainage system*, except to connect a *vent pipe*.
- 2)** A cross fitting shall not be used in a *drainage system*.

2.2.4.2. Sanitary T Fittings

(See Appendix A.)

- 1)** A single or double sanitary T fitting shall not be used in a *nominally horizontal soil-or-waste pipe*, except that a single sanitary T fitting may be used to connect a *vent pipe*.
- 2)** A double sanitary T fitting shall not be used to connect the *trap arms* of
 - a) back outlet water closets installed back-to-back, or
 - b) 2 urinals where no *cleanout* fitting is provided above the connection.

2.2.4.3. 90° Elbows

- 1)** Except as permitted in Sentence (2), 90° elbows of 4 inch *size* or less whose centre-line radius is less than the *size* of the pipe shall not be used to join 2 *soil-or-waste pipes*.
- 2)** For *sanitary drainage systems* of 4 inch *size* or less, 90° elbows shall only be permitted
 - a) to change the direction of piping from horizontal to vertical, in the direction of flow,
 - b) where a *trap arm* enters a wall, or
 - c) to connect *trap arms* as permitted by Sentence 2.5.6.3.(2).

2.2.5. Non-Metallic Pipe and Fittings

(For a summary of pipe applications, see A-2.2.5, 2.2.6. and 2.2.7. in Appendix A.)

2.2.5.1. Asbestos-Cement Drainage Pipe and Fittings

- 1)** Except as provided in Sentence (2), asbestos-cement pipe and its fittings for use in a drain, waste or vent system shall conform to
 - a) CAN/CGSB-34.22, "Asbestos-Cement Drain Pipe," or
 - b) CAN/CSA-B127.1, "Asbestos Cement Drain, Waste and Vent Pipe and Pipe Fittings."
- 2)** Asbestos-cement pipe and fittings used underground either outside a *building* or under a *building* shall conform to Sentence (1) or to
 - a) CAN/CGSB-34.9, "Asbestos-Cement Sewer Pipe,"
 - b) CAN/CGSB-34.23, "Asbestos-Cement House Connection Sewer Pipe," or
 - c) CSA B127.2-M, "Components for Use in Asbestos Cement Building Sewer Systems."

2.2.5.2. Asbestos-Cement Water Pipe and Fittings

- 1)** Asbestos-cement water pipe, couplings and bends shall conform to CAN/CGSB-34.1, "Asbestos-Cement Pressure Pipe."
- 2)** Asbestos-cement water pipe shall not be used above ground.

2.2.5.3. Concrete Pipe and Fittings

- 1) Concrete pipe shall conform to
 - a) CAN/CSA-A257.1, "Non-Reinforced Circular Concrete Culvert, Storm Drain, Sewer Pipe, and Fittings," or
 - b) CAN/CSA-A257.2, "Reinforced Circular Concrete Culvert, Storm Drain, Sewer Pipe, and Fittings."
- 2) Joints with internal elastomeric gaskets shall conform to CAN/CSA-A257.3, "Joints for Circular Concrete Sewer and Culvert Pipe, Manhole Sections, and Fittings Using Rubber Gaskets."
- 3) Concrete fittings fabricated on the site from lengths of pipe shall not be used. (See Appendix A.)
- 4) Concrete pipe shall not be used above ground inside a *building*.
- 5) Precast reinforced circular concrete manhole sections, catch basins and fittings shall conform to CAN/CSA-A257.4, "Precast Reinforced Circular Concrete Manhole Sections, Catch Basins, and Fittings."

2.2.5.4. Vitrified Clay Pipe and Fittings

- 1) Vitrified clay pipe and fittings shall conform to CSA A60.1-M, "Vitrified Clay Pipe."
- 2) Couplings and joints for vitrified clay pipe shall conform to CSA A60.3-M, "Vitrified Clay Pipe Joints."
- 3) Vitrified clay pipe and fittings shall not be used except for an underground part of a *drainage system*.

2.2.5.5. Polyethylene Pipe and Fittings

- 1) Polyethylene water pipe, tubing and fittings shall conform to Series 160 of CSA B137.1, "Polyethylene (PE) Pipe, Tubing, and Fittings for Cold-Water Pressure Services."
- 2) Polyethylene water pipe shall not be used except for a *water service pipe*.
- 3) Butt fusion fittings for polyethylene pipe shall conform to ASTM D 3261, "Butt Heat Fusion Polyethylene (PE) Plastic Fittings for Polyethylene (PE) Plastic Pipe and Tubing."

2.2.5.6. Polyethylene Pipe Used Underground

- 1) Polyethylene pipe used underground outside a *building* for the rehabilitation of existing *drainage systems* using trenchless technology shall conform to ASTM F 714, "Polyethylene (PE) Plastic Pipe (SDR-PR) Based on Outside Diameter," and shall be HDPE 3408 and SDR 11 or heavier. (See Appendix A.)

2.2.5.7. Crosslinked Polyethylene Pipe and Fittings

- 1) Crosslinked polyethylene pipe and its associated fittings used in hot and cold *potable water systems* shall conform to CSA B137.5, "Crosslinked Polyethylene (PEX) Tubing Systems for Pressure Applications." (See Appendix A.)

2.2.5.8. PVC Pipe and Fittings

- 1) PVC water pipe, fittings and solvent cement shall
 - a) conform to CSA B137.3, "Rigid Polyvinyl Chloride (PVC) Pipe for Pressure Applications," and
 - b) have a pressure rating of not less than 1 100 kPa.
- 2) PVC water pipe fittings shall conform to
 - a) ASTM D 2466, "Poly(Vinyl Chloride) (PVC) Plastic Pipe Fittings, Schedule 40," or
 - b) ASTM D 2467, "Poly(Vinyl Chloride) (PVC) Plastic Pipe Fittings, Schedule 80."

3) PVC injection-moulded gasketed fittings shall conform to CSA B137.2, "Polyvinylchloride (PVC) Injection-Moulded Gasketed Fittings for Pressure Applications."

4) PVC water pipe and fittings referred to in Sentences (1), (2) and (3) shall not be used in a hot *water system*.

2.2.5.9. CPVC Pipe, Fittings and Solvent Cements

1) CPVC hot and cold water pipe, fittings and solvent cements shall conform to CSA B137.6, "Chlorinated Polyvinylchloride (CPVC) Pipe, Tubing, and Fittings for Hot- and Cold-Water Distribution Systems."

2) The design temperature and design pressure of a CPVC piping system shall conform to Table 2.2.5.9.

Table 2.2.5.9.
Maximum Permitted Pressure for CPVC Piping at Various Temperatures
 Forming Part of Sentence 2.2.5.9.(2)

Maximum Temperature of Water, °C	Maximum Permitted Pressures, kPa
10	3 150
20	2 900
30	2 500
40	2 100
50	1 700
60	1 300
70	1 000
80	700
90	500
100	400

2.2.5.10. Plastic Pipe, Fittings and Solvent Cement Used Underground

(See A-2.2.5.10. to 2.2.5.12. in Appendix A.)

1) Plastic pipe, fittings and solvent cement used underground outside a *building* or under a *building* in a *drainage system* shall conform to

- a) ASTM F 628, "Acrylonitrile-Butadiene-Styrene (ABS) Schedule 40 Plastic Drain, Waste, and Vent Pipe With a Cellular Core,"
- b) CSA B181.1, "Acrylonitrile-Butadiene-Styrene (ABS) Drain, Waste, and Vent Pipe and Pipe Fittings,"
- c) CSA B181.2, "Polyvinylchloride (PVC) and Chlorinated Polyvinylchloride (CPVC) Drain, Waste, and Vent Pipe and Pipe Fittings,"
- d) CSA B182.1, "Plastic Drain and Sewer Pipe and Pipe Fittings," with a pipe stiffness not less than 320 kPa,
- e) CSA B182.2, "PSM Type Polyvinylchloride (PVC) Sewer Pipe and Fittings," with a pipe stiffness not less than 320 kPa,
- f) CSA B182.4, "Profile Polyvinylchloride (PVC) Sewer Pipe and Fittings," with a pipe stiffness not less than 320 kPa,
- g) CSA B182.6, "Profile Polyethylene (PE) Sewer Pipe and Fittings For Leak-Proof Sewer Applications," with a pipe stiffness of not less than 320 kPa, or
- h) CSA B182.7, "PSM Type Multilayer Polyvinylchloride (PVC) Sewer Pipe Having Reprocessed-Recycled Content," with a pipe stiffness of not less than 320 kPa.

2.2.5.11. Transition Solvent Cement

(See A-2.2.5.10. to 2.2.5.12. in Appendix A.)

- 1) Solvent cement for transition joints shall conform to
 - a) CSA B181.1, "Acrylonitrile-Butadiene-Styrene (ABS) Drain, Waste, and Vent Pipe and Pipe Fittings," or
 - b) CSA B181.2, "Polyvinylchloride (PVC) and Chlorinated Polyvinylchloride (CPVC) Drain, Waste, and Vent Pipe and Pipe Fittings."
- 2) Transition solvent cement shall only be used for joining an ABS *drainage system* to a PVC *drainage system*.

2.2.5.12. Plastic Pipe, Fittings and Solvent Cement Used in Buildings

(See A-2.2.5.10. to 2.2.5.12. in Appendix A.)

- 1) Plastic pipe, fittings and solvent cement used inside or under a *building* in a *drainage* or *venting system* shall conform to
 - a) ASTM F 628, "Acrylonitrile-Butadiene-Styrene (ABS) Schedule 40 Plastic Drain, Waste, and Vent Pipe With a Cellular Core,"
 - b) CSA B181.1, "Acrylonitrile-Butadiene-Styrene (ABS) Drain, Waste, and Vent Pipe and Pipe Fittings," or
 - c) CSA B181.2, "Polyvinylchloride (PVC) and Chlorinated Polyvinylchloride (CPVC) Drain, Waste, and Vent Pipe and Pipe Fittings."
- 2) Requirements for *combustible* piping in relation to fire safety shall conform to Sentences 3.1.5.16.(1) and 9.10.9.6.(2) to (8), and Articles 3.1.9.4. and 9.10.9.7. of Division B of the NBC.
- 3) Where *noncombustible* piping pierces a *fire separation* or a fire stop, the requirements of fire stopping of Subsection 3.1.9., Sentence 9.10.9.6.(1) and Article 9.10.16.4. of Division B of the NBC shall apply.

2.2.5.13. Polyethylene/Aluminum/Polyethylene Composite Pipe and Fittings ★

- 1) PE/AL/PE composite pipe and fittings shall conform to CSA B137.9, "Polyethylene/Aluminum/Polyethylene (PE-AL-PE) Composite Pressure-Pipe Systems." (See Appendix A.)
- 2) Except as provided in Sentences (3) and (4), PE/AL/PE pipe and fittings shall not be used in hot *water systems*.
- 3) PE/AL/PE pipe with a pressure rating of 690 kPa or greater at 82°C shall be permitted for hot *water systems*.
- 4) PE/AL/PE pipe with a pressure rating of 690 kPa or greater at 82°C shall be used with fittings that conform to CSA B137.10, "Crosslinked Polyethylene/Aluminum/Crosslinked Polyethylene (PEX-AL-PEX) Composite Pressure-Pipe Systems," in hot *water systems*.

2.2.5.14. Crosslinked Polyethylene/Aluminum/Crosslinked Polyethylene Composite Pressure Pipe and Fittings

- 1) PEX/AL/PEX composite pipe and fittings used in hot and cold *potable water systems* shall conform to CSA B137.10, "Crosslinked Polyethylene/Aluminum/Crosslinked Polyethylene (PEX-AL-PEX) Composite Pressure-Pipe Systems." (See Appendix A.)

2.2.5.15. Polypropylene Pipe and Fittings

- 1) Polypropylene pipe and fittings used for hot and cold *potable water systems* shall conform to CSA B137.11, "Polypropylene (PP-R) Pipe and Fittings for Pressure Applications." (See Appendix A.)

2.2.6.1.**2.2.6. Ferrous Pipe and Fittings**

(For a summary of pipe applications, see A-2.2.5, 2.2.6. and 2.2.7. in Appendix A.)

2.2.6.1. Cast-Iron Drainage and Vent Pipe and Fittings

1) Drainage piping, vent piping and fittings made of cast iron shall conform to CSA B70, "Cast Iron Soil Pipe, Fittings, and Means of Joining."

2) Cast-iron soil pipe and fittings shall not be used in a *water system*.

2.2.6.2. Cast-Iron Fittings for Asbestos-Cement Drainage Pipe

1) Cast-iron fittings designed for use with asbestos-cement pipe for drainage purposes shall conform to the applicable requirements of

- a) CAN/CSA-B127.1, "Asbestos Cement Drain, Waste and Vent Pipe and Pipe Fittings," or
- b) CSA B127.2-M, "Components for Use in Asbestos Cement Building Sewer Systems."

2.2.6.3. Threaded Cast-Iron Drainage Fittings

1) Threaded cast-iron drainage fittings shall conform to ANSI/ASME B16.12, "Cast Iron Threaded Drainage Fittings."

2) Threaded cast-iron drainage fittings shall not be used in a *water system*.

2.2.6.4. Cast-Iron Water Pipes

1) Cast-iron water pipes shall conform to ANSI/AWWA C151/A21.51, "Ductile-Iron Pipe, Centrifugally Cast, for Water or Other Liquids."

2) Cement mortar lining for cast-iron water pipes shall conform to ANSI/AWWA C104/A21.4, "Cement-Mortar Lining for Ductile-Iron Pipe and Fittings for Water."

3) Cast-iron fittings for cast-iron or ductile-iron water pipes shall conform to ANSI/AWWA C110/A21.10, "Ductile-Iron and Gray-Iron Fittings, 3 in. Through 48 in. (75 mm Through 1200 mm), for Water and Other Liquids."

4) Rubber gasket joints for cast-iron and ductile-iron pressure pipe for water shall conform to AWWA C111/A21.11, "Rubber-Gasket Joints for Ductile-Iron Pressure Pipe and Fittings."

2.2.6.5. Screwed Cast-Iron Water Fittings

1) Screwed cast-iron water fittings shall conform to ANSI/ASME B16.4, "Gray Iron Threaded Fittings, Classes 125 and 250."

2) Screwed cast-iron water fittings used in a *water system* shall be cement-mortar lined or galvanized.

3) Screwed cast-iron water fittings shall not be used in a *drainage system*.

2.2.6.6. Screwed Malleable Iron Water Fittings

1) Screwed malleable iron water fittings shall conform to ANSI/ASME B16.3, "Malleable Iron Threaded Fittings, Classes 150 and 300."

2) Screwed malleable iron water fittings used in a *water system* shall be cement-mortar lined or galvanized.

3) Screwed malleable iron water fittings shall not be used in a *drainage system*.

2.2.6.7. Steel Pipe

1) Except as provided in Sentences (2) and (3), welded and seamless steel pipe shall not be used in a *plumbing system*.

2) Galvanized steel pipe is permitted to be used in a *drainage system* or a *venting system* above ground inside a *building*.

- 3)** Galvanized steel pipe and fittings shall not be used in a *water distribution system* except
- in *buildings* of industrial *occupancy* as described in the NBC, or
 - for the repair of existing galvanized steel piping systems.
- (See Appendix A.)

4) Galvanized steel pipe and fittings shall conform to ASTM A 53/A 53M, "Pipe, Steel, Black and Hot-Dipped, Zinc-Coated, Welded and Seamless."

2.2.6.8. Corrugated Steel Pipe and Couplings

1) Corrugated steel pipe and couplings shall conform to CSA G401, "Corrugated Steel Pipe Products."

2) Corrugated steel pipe shall only be used underground outside a *building* in a *storm drainage system*.

3) Couplings for corrugated steel pipe shall be constructed so that when installed they shall

- maintain the pipe alignment,
- resist the separation of adjoining lengths of pipe,
- prevent root penetration, and
- prevent the infiltration of surrounding material.

2.2.6.9. Sheet Metal Leaders

1) A sheet metal *leader* shall not be used except above ground outside a *building*.

2.2.7. Non-Ferrous Pipe and Fittings

(For a summary of pipe applications, see A-2.2.5, 2.2.6. and 2.2.7. in Appendix A.)

2.2.7.1. Copper and Brass Pipe

1) Copper pipe shall conform to ASTM B 42, "Seamless Copper Pipe, Standard Sizes."

2) Brass pipe shall conform to ASTM B 43, "Seamless Red Brass Pipe, Standard Sizes."

2.2.7.2. Brass or Bronze Pipe Flanges and Flanged Fittings

1) Brass or bronze pipe flanges and flanged fittings shall conform to ANSI/ASME B16.24, "Cast Copper Alloy Pipe Flanges and Flanged Fittings: Classes 150, 300, 400, 600, 900, 1500, and 2500."

2.2.7.3. Brass or Bronze Threaded Water Fittings

1) Brass or bronze threaded water fittings shall conform to ANSI/ASME B16.15, "Cast Copper Alloy Threaded Fittings, Classes 125 and 250."

2) Brass or bronze threaded water fittings shall not be used in a *drainage system*.

2.2.7.4. Copper Tube

- 1)** Copper tube shall conform to
- ASTM B 88, "Seamless Copper Water Tube," or
 - ASTM B 306, "Copper Drainage Tube (DWV)."

2) Except as provided in Sentence (3), the use of copper tube shall conform to Table 2.2.7.4.

3) Copper tube shall not be used for the *fixture drain* or the portion of the *vent pipe* below the *flood level rim* of a flush-valve-operated urinal.

Table 2.2.7.4.
Permitted Use of Copper Tube and Pipe
 Forming Part of Sentence 2.2.7.4.(2)

Type of Copper Tube or Pipe	Plumbing Purposes							
	Water Service Pipe	Water Distribution System		Building Sewer	Drainage System		Venting System	
		Under-ground	Above-ground		Under-ground	Above-ground	Under-ground	Above-ground
K & L hard temper	N	N	P	P	P	P	P	P
K & L soft temper	P	P	P	N	N	N	N	N
M hard temper	N	N	P	N	N	P	N	P
M soft temper	N	N	N	N	N	N	N	N
DWV	N	N	N	N	N	P	N	P

P = Permitted N = Not Permitted

2.2.7.5. Solder-Joint Drainage Fittings

- 1) Solder-joint fittings for *drainage systems* shall conform to
 - a) ANSI/ASME B16.23, "Cast Copper Alloy Solder Joint Drainage Fittings: DWV," or
 - b) ANSI/ASME B16.29, "Wrought Copper and Wrought Copper Alloy Solder Joint Drainage Fittings – DWV."
- 2) Solder-joint fittings for *drainage systems* shall not be used in a *water system*.

2.2.7.6. Solder-Joint Water Fittings

- 1) Except as provided in Sentence (2), solder-joint fittings for *water systems* shall conform to
 - a) ASME B16.18, "Cast Copper Alloy Solder-Joint Pressure Fittings," or
 - b) ANSI/ASME B16.22, "Wrought Copper and Copper Alloy Solder Joint Pressure Fittings."
- 2) Solder-joint fittings for *water systems* not made by casting or the wrought process shall conform to the applicable requirements of ASME B16.18, "Cast Copper Alloy Solder-Joint Pressure Fittings."

2.2.7.7. Flared-Joint Fittings for Copper Water Systems

- 1) Flared-joint fittings for copper tube *water systems* shall conform to ANSI/ASME B16.26, "Cast Copper Alloy Fittings for Flared Copper Tubes."
- 2) Flared-joint fittings for copper tube *water systems* not made by casting shall conform to the applicable requirements of ANSI/ASME B16.26, "Cast Copper Alloy Fittings for Flared Copper Tubes."

2.2.7.8. Lead Waste Pipe and Fittings

- 1) Lead *waste pipe* and fittings shall not be used in a *water system* or as a *building sewer*.
- 2) When there is a change in *size* of a lead closet bend, the change shall be in the vertical section of the bend or made in a manner that prevents the retention of liquid in the bend.

2.2.8. Corrosion-Resistant Materials**2.2.8.1. Pipes and Fittings**

- 1) Pipes and fittings to be used for drainage and venting of acid and corrosive wastes shall conform to
 - a) ASTM A 518/A 518M, "Corrosion-Resistant High-Silicon Iron Castings,"
 - b) ASTM C 1053, "Borosilicate Glass Pipe and Fittings for Drain, Waste, and Vent (DWV) Applications," or
 - c) CSA B181.3, "Polyolefin and Polyvinylidene Fluoride (PVDF) Laboratory Drainage Systems."

2.2.9. Jointing Materials**2.2.9.1. Cement Mortar**

- 1) Cement mortar shall not be used for jointing.

2.2.9.2. Solders and Fluxes

- 1) Solders for solder joint fittings shall conform to ASTM B 32, "Solder Metal."
- 2) Solders and fluxes having a lead content in excess of 0.2% shall not be used in a *potable water system*.
- 3) Fluxes for soldered joints shall conform to ASTM B 813, "Liquid and Paste Fluxes for Soldering of Copper and Copper Alloy Tube."
- 4) Except as provided in Sentence (5), joints in copper tubes installed underground shall be made with either flared or compression fittings, or be brazed using a brazing alloy within the American Welding Society's AWS-BCuP range.
- 5) Compression fittings shall not be used underground under a *building*.

2.2.10. Miscellaneous Materials**2.2.10.1. Brass Floor Flanges**

- 1) Brass floor flanges shall conform to CSA B158.1, "Cast Brass Solder Joint Drainage, Waste and Vent Fittings."

2.2.10.2. Screws, Bolts, Nuts and Washers

- 1) Every screw, bolt, nut and washer shall be of corrosion-resistant materials when used
 - a) to connect a water closet to a water closet flange,
 - b) to anchor the water closet flange to the floor, or
 - c) to anchor the water closet to the floor.

2.2.10.3. Cleanout Fittings

- 1) Every plug, cap, nut or bolt that is intended to be removable from a ferrous fitting shall be of a non-ferrous material.
- 2) A *cleanout* fitting that, as a result of normal maintenance operations, cannot withstand the physical stresses of removal and reinstallation or cannot ensure a gas-tight seal shall not be installed.

2.2.10.4. Mechanical Couplings

- 1) Groove and shoulder type mechanical couplings for pressure applications shall conform to CSA B242, "Groove- and Shoulder-Type Mechanical Pipe Couplings."
- 2) Mechanical couplings for non-pressure applications shall conform to CAN/CSA-B602, "Mechanical Couplings for Drain, Waste, and Vent Pipe and Sewer Pipe."

2.2.10.5. Saddle Hubs

1) A saddle hub or fitting shall not be installed in *drainage, venting* or *water systems*. (See Appendix A.)

2.2.10.6. Supply and Waste Fittings ★

1) Supply fittings shall conform to ASME A112.18.1/CAN/CSA-B125.1, "Plumbing Supply Fittings," or CAN/CSA-B125.3, "Plumbing Fittings."

2) Waste fittings shall conform to ASME A112.18.2/CAN/CSA-B125.2, "Plumbing Waste Fittings."

2.2.10.7. Water Temperature Control ★

(See Appendix A.)

1) Except as provided in Sentence (2), all valves supplying fixed-location shower heads shall be individual pressure-balanced or thermostatic-mixing valves conforming to ASME A112.18.1/CAN/CSA-B125.1, "Plumbing Supply Fittings."

2) Individual pressure-balanced or thermostatic-mixing valves shall not be required for showers having a single tempered water supply that is controlled by a master thermostatic-mixing valve conforming to CAN/CSA-B125.3, "Plumbing Fittings."

3) All mixing valves supplying shower heads shall be of the pressure-balanced, thermostatic, or combination pressure-balanced/thermostatic type capable of

- a) maintaining a water outlet temperature that does not exceed 49°C, and
- b) limiting thermal shock.

4) The temperature of water discharging into a bathtub shall not exceed 49°C.

2.2.10.8. Direct Flush Valves

- 1) Every direct flush valve shall
 - a) open fully and close positively under service pressure,
 - b) complete its cycle of operation automatically,
 - c) be provided with a means of regulating the volume of water that it discharges, and
 - d) be provided with a *vacuum breaker* unless the *fixture* is designed so that *back-siphonage* cannot occur.

2.2.10.9. Drinking Fountain Bubblers

- 1) The orifice of every drinking fountain bubbler shall
 - a) be of the shielded type, and
 - b) direct the water upward at an angle of approximately 45°.

2) Every drinking fountain bubbler shall include a means of regulating the flow to the orifice.

3) Bubblers shall be installed only on drinking fountains. (See Appendix A.)

2.2.10.10. Back-Siphonage Preventers and Backflow Preventers ★

1) Except as provided in Sentence (2), *back-siphonage preventers* and *backflow preventers* shall conform to

- a) CAN/CSA-B64.0, "Definitions, General Requirements, and Test Methods for Vacuum Breakers and Backflow Preventers,"
- b) CAN/CSA-B64.1.1, "Vacuum Breakers, Atmospheric Type (AVB),"
- c) CAN/CSA-B64.1.2, "Vacuum Breakers, Pressure Type (PVB),"
- d) CAN/CSA-B64.2, "Vacuum Breakers, Hose Connection Type (HCVB),"
- e) CAN/CSA-B64.2.1, "Vacuum Breakers, Hose Connection Type (HCVB) with Manual Draining Feature,"
- f) CAN/CSA-B64.2.2, "Vacuum Breakers, Hose Connection Type (HCVB) with Automatic Draining Feature,"

- g) CAN/CSA-B64.3, "Backflow Preventers, Dual Check Valve Type with Atmospheric Port (DCAP),"
- h) CAN/CSA-B64.4, "Backflow Preventers, Reduced Pressure Principle Type (RP),"
- i) CAN/CSA-B64.5, "Backflow Preventers, Double Check Valve Type (DCVA),"
- j) CAN/CSA-B64.6, "Backflow Preventers, Dual Check Valve Type (DuC),"
- k) CAN/CSA-B64.7, "Vacuum Breakers, Laboratory Faucet Type (LFVB)," or
- l) CAN/CSA-B64.8, "Backflow Preventers, Dual Check Valve Type with Intermediate Vent (DuCV)."

2) *Back-siphonage preventers* for tank-type water closets (anti-siphon fill valves) shall conform to CAN/CSA-B125.3, "Plumbing Fittings."

2.2.10.11. Relief Valves

1) Temperature-relief, pressure-relief, combined temperature- and pressure-relief, and vacuum-relief valves shall conform to ANSI Z21.22/CSA 4.4-M, "Relief Valves for Hot Water Supply Systems."

2.2.10.12. Reducing Valves

1) Direct-acting water-pressure-reducing valves for domestic water supply systems shall conform to CAN/CSA-B356, "Water Pressure Reducing Valves for Domestic Water Supply Systems."

2.2.10.13. Solar Domestic Hot Water

1) Equipment for solar heating of *potable* water shall conform to CAN/CSA-F379.1, "Solar Domestic Hot Water Systems (Liquid to Liquid Heat Transfer)."

2.2.10.14. Vent Pipe Flashing

- 1) Flashing fabricated on-site for *vent pipes* shall be fabricated from
 - a) copper sheet not less than 0.33 mm thick,
 - b) aluminum sheet not less than 0.61 mm thick,
 - c) *alloyed zinc* sheet not less than 0.35 mm thick,
 - d) lead sheet not less than 2.16 mm thick,
 - e) galvanized steel sheet not less than 0.41 mm thick, or
 - f) polychloroprene (neoprene) not less than 2.89 mm thick.

2) Prefabricated flashing for *vent pipes* shall conform to CSA B272, "Prefabricated Self-Sealing Roof Vent Flashings." (See Article 2.5.6.5. for location of *vent pipe* terminals.)

2.2.10.15. Water Hammer Arresters

1) Water hammer arresters shall conform to ANSI/ASSE 1010, "Water Hammer Arresters."

2.2.10.16. Air admittance valves

1) *Air admittance valves* shall conform to ASSE 1051, "Individual and Branch Type Air Admittance Valves for Sanitary Drainage Systems." (See Appendix A.)

Section 2.3. Piping

2.3.1. Application

2.3.1.1. General

1) This Section applies to the construction and use of joints and connections, and the arrangement, protection, support and testing of piping.

2.3.2.1.**2.3.2. Construction and Use of Joints****2.3.2.1. Caulked Lead Drainage Joints**

- 1) Caulked lead drainage joints shall not be used except for cast-iron pipe in a *drainage system* or *venting system*, or between such pipe and
 - a) other ferrous pipe,
 - b) brass and copper pipe,
 - c) a caulking ferrule, or
 - d) a *trap standard*.
- 2) Every caulked lead drainage joint shall be firmly packed with oakum and tightly caulked with lead to a depth of not less than 25 mm.
- 3) No paint, varnish or other coating shall be applied on the lead until after the joint has been tested.
- 4) A length of hub and spigot pipe and pipe fittings in a *drainage system* shall be installed with the hub at the upstream end.

2.3.2.2. Wiped Joints

- 1) Wiped joints shall not be used except for sheet lead or lead pipe, or between such pipe and copper pipe or a ferrule.
- 2) Every wiped joint in straight pipe shall
 - a) be made of solder,
 - b) have an exposed surface on each side of the joint at least 19 mm wide, and
 - c) be not less than 10 mm thick at the thickest part.
- 3) Every wiped flanged joint shall be reinforced with a lead flange that is not less than 19 mm wide.

2.3.2.3. Screwed Joints

- 1) In making a screwed joint, the ends of the pipe shall be reamed or filed out to the size of the bore and all chips and cuttings shall be removed.
- 2) No pipe-joint cement or paint shall be applied to the internal threads.

2.3.2.4. Soldered Joints

- 1) Soldered joints shall be made in accordance with ASTM B 828, "Making Capillary Joints by Soldering of Copper and Copper Alloy Tube and Fittings."

2.3.2.5. Flared Joints

- 1) In making a flared joint, the pipe shall be expanded with a proper flaring tool.
- 2) Flared joints shall not be used for hard (drawn) copper tube.

2.3.2.6. Mechanical Joints

- 1) Mechanical joints shall be made with compounded elastomeric rings that are held in compression by
 - a) stainless steel or cast-iron clamps, or
 - b) groove and shoulder type mechanical couplings.(See Appendix A.)

2.3.2.7. Cold-Caulked Joints

- 1) Cold-caulked joints shall not be used except for bell and spigot pipe in a *water system*, a *drainage system* or a *venting system*.
- 2) Caulking compound used in cold-caulked joints shall be applied according to the manufacturer's directions.
- 3) Every cold-caulked joint in a *drainage system* shall be firmly packed with oakum and tightly caulked with cold caulking compound to a depth of not less than 25 mm.

2.3.3. Joints and Connections**2.3.3.1. Drilled and Tapped Joints**

1) Drilled and tapped joints shall not be made in a *soil-or-waste pipe* or *vent pipe* and fittings unless suitable provision has been made for drilling and tapping.

2.3.3.2. Extracted Tees

1) Tees may be extracted from the wall thickness of Types K and L copper tube used in a *water distribution system* provided that

- a) a tool specifically designed for the purpose is used,
- b) the branch is at least one *size* smaller than the tube in which the tee is formed,
- c) the end of the branch incorporates a means to prevent it from penetrating into the run and thereby obstructing flow, and
- d) the joint at the tee is brazed with a filler metal having a melting point not below 540°C.

2.3.3.3. Prohibition of Welding of Pipes and Fittings

- 1) Cast-iron soil pipe and fittings shall not be welded.
- 2) Galvanized steel pipe and fittings shall not be welded.

2.3.3.4. Unions and Slip Joints

(See A-2.2.3.1.(1) and (3) in Appendix A.)

1) Running thread and packing nut connections and unions with a gasket seal shall not be used downstream of a *trap weir* in a *drainage system* or in a *venting system*.

- 2) A slip joint shall not be used
 - a) in a *venting system*, or
 - b) in a *drainage system*, except to connect a *fixture trap* to a *fixture drain* in an accessible location.

2.3.3.5. Increaser or Reducer

1) Every connection between 2 pipes of different *size* shall be made with an increaser or a reducer fitting installed so that it will permit the system to be completely drained.

2.3.3.6. Dissimilar Materials

1) Adaptors, connectors or mechanical joints used to join dissimilar materials shall be designed to accommodate the required transition.

2.3.3.7. Connection of Roof Drain to Leader

1) Every *roof drain* shall be securely connected to a *leader* and provision shall be made for expansion.

2.3.3.8. Connection of Floor Outlet Fixtures

1) Every pedestal urinal, floor-mounted water closet or *S-trap standard* shall be connected to a *fixture drain* by a floor flange, except that a cast-iron *trap standard* may be caulked to a cast-iron pipe.

2) Except as provided in Sentence (3), every floor flange shall be brass.

3) Where cast-iron or plastic pipe is used, a floor flange of the same material may be used.

4) Every floor flange shall be securely set on a firm base and bolted to the *trap* flange of the *fixture*.

5) Every joint in a floor flange shall be sealed with a resilient watertight and gas-tight seal.

6) Where a lead water-closet stub is used, the length of the stub below the floor flange shall be not less than 75 mm.

2.3.3.9. Expansion and Contraction

(See Appendix A.)

1) The design and installation of every piping system shall include means to accommodate its expansion and contraction caused by temperature changes, movement of the soil, *building* shrinkage or structural settlement. (See Appendix A.)

2.3.3.10. Copper Tube

1) Types M and DWV copper tube shall not be bent.

2.3.3.11. Indirect Connections

1) Where a *fixture* or device is *indirectly connected*, the connections shall be made by terminating the *fixture drain* above the *flood level rim* of a *directly connected fixture* to form an *air break*.

2) The size of the *air break* shall at least equal the size of the *fixture drain, branch* or pipe that terminates above the *directly connected fixture*, and it shall be not less than 25 mm. (See Appendix A.)

2.3.4. Support of Piping

2.3.4.1. Capability of Support

1) Piping shall be provided with support that is capable of keeping the pipe in alignment and bearing the weight of the pipe and its contents.

2) Every floor- or wall-mounted water-closet bowl shall be securely attached to the floor or wall by means of a flange and shall be stable.

3) Every wall-mounted *fixture* shall be supported so that no strain is transmitted to the piping.

2.3.4.2. Independence of Support

1) Piping, *fixtures*, tanks or devices shall be supported independently of each other.

2.3.4.3. Insulation of Support

1) Where a hanger or support for copper tube or brass or copper pipe is of a material other than brass or copper, it shall be suitably separated and electrically insulated from the pipe.

2.3.4.4. Support for Vertical Piping

1) Except as provided in Sentence (2), vertical piping shall be supported at its base and at the floor level of alternate *storeys* by rests, each of which can bear the weight of pipe that is between it and the rest above it.

2) The maximum spacing of supports shall be 7.5 m.

2.3.4.5. Support for Horizontal Piping

1) *Nominally horizontal* piping that is inside a *building* shall be braced to prevent swaying and buckling and to control the effects of thrust.

2) *Nominally horizontal* piping shall be supported as stated in Table 2.3.4.5.

Table 2.3.4.5.
Support for Nominally Horizontal Piping
 Forming Part of Sentence 2.3.4.5.(2)

Piping Material	Maximum Horizontal Spacing of Supports, m	Additional Support Conditions
Galvanized iron or steel pipe • diameter ≥ 6 inches • diameter < 6 inches	3.75 2.5	
Lead pipe	Throughout length of pipe	
Cast-iron pipe	3	At or adjacent to each hub or joint
Cast-iron pipe with mechanical joints that is ≤ 300 mm long between adjacent fittings	1	
Asbestos-cement pipe	2 ⁽¹⁾	
Asbestos-cement pipe that is ≤ 300 mm long between adjacent fittings	1	
ABS or PVC plastic pipe	1.2	At the end of <i>branches</i> or <i>fixture drains</i> and at changes in direction and elevation
ABS or PVC plastic <i>trap arm</i> or <i>fixture drain</i> pipe > 1 m long	n/a	As close as possible to the <i>trap</i>
CPVC pipe	1	
Copper tube or copper and brass pipe, hard temper, diameter > 1 inch	3	
Copper tube or copper and brass pipe, hard temper, diameter ≤ 1 inch	2.5	
Copper tube, soft temper	2.5	
PE/AL/PE composite pipe	1	
PEX/AL/PEX composite pipe	1	
PEX plastic pipe	0.8	
PP-R plastic pipe	1	At the end of <i>branches</i> and at changes in direction and elevation

Notes to Table 2.3.4.5.:

(1) As an alternative, asbestos-cement pipe, which is typically manufactured in 4 m lengths, may have 2 supports per length of pipe.

- 3)** Where PVC, CPVC or ABS plastic pipe is installed
 - a) the pipe shall be aligned without added strain on the piping,
 - b) the pipe shall not be bent or pulled into position after being welded, and
 - c) hangers shall not compress, cut or abrade the pipe.
- 4)** Where PEX, PP-R, PE/AL/PE or PEX/AL/PEX plastic pipe is installed, hangers shall not compress, cut or abrade the pipe.
- 5)** Where hangers are used to support *nominally horizontal* piping, they shall be
 - a) metal rods of not less than
 - i) 6 mm diam to support piping 2 inches or less in *size*,
 - ii) 8 mm diam to support piping 4 inches or less in *size*, and
 - iii) 13 mm diam to support piping over 4 inches in *size*, or
 - b) solid or perforated metal straps of not less than
 - i) 0.6 mm nominal thickness and 12 mm wide to support piping 2 inches or less in *size*, and
 - ii) 0.8 mm nominal thickness and 18 mm wide to support piping 4 inches or less in *size*.
- 6)** Where a hanger is attached to concrete or masonry, it shall be fastened by metal or expansion-type plugs that are inserted or built into the concrete or masonry.

2.3.4.6.**2.3.4.6. Support for Underground Horizontal Piping**

1) Except as provided in Sentence (2), *nominally horizontal* piping that is underground shall be supported on a base that is firm and continuous under the whole of the pipe. (See Appendix A.)

2) *Nominally horizontal* piping installed underground that is not supported as described in Sentence (1) may be installed using hangers fixed to a foundation or structural slab provided that the hangers are capable of

- a) keeping the pipe in alignment, and
- b) supporting the weight of
 - i) the pipe,
 - ii) its contents, and
 - iii) the fill over the pipe.

2.3.4.7. Support for Vent Pipe above a Roof

1) Where a *vent pipe* that may be subject to misalignment terminates above the surface of a roof, it shall be supported or braced. (See Article 2.5.6.5. for location of *vent pipe* terminals.)

2.3.5. Protection of Piping**2.3.5.1. Backfilling of Pipe Trench**

- 1)** Where piping is installed underground, the backfill shall be
- a) carefully placed and tamped to a height of 300 mm over the top of the pipe, and
 - b) free of stones, boulders, cinders and frozen earth. (See Appendix A.)

2.3.5.2. Protection of Non-Metallic Pipe

1) Where asbestos-cement drainage pipe or vitrified clay is located less than 600 mm below a basement floor and the floor is constructed of other than 75 mm or more of concrete, the pipe shall be protected by a 75-mm layer of concrete installed above the pipe. (See Appendix A.)

2.3.5.3. Isolation from Loads

1) Where piping passes through or under a wall, it shall be installed so that the wall does not bear on the pipe.

2.3.5.4. Protection from Frost

1) Where piping may be exposed to freezing conditions, it shall be protected from the effects of freezing.

2.3.5.5. Protection from Mechanical Damage

1) Plumbing, piping and equipment exposed to mechanical damage shall be protected.

2.3.5.6. Protection from Condensation

1) Piping used as an internal *leader*, which may be subject to condensation, shall be installed in a manner that limits the risk of damage to the *building* due to condensation.

2.3.6. Testing of Drainage or Venting Systems**2.3.6.1. Tests and Inspection of Drainage or Venting Systems**

1) Except in the case of an external *leader*, after a section of a *drainage system* or a *venting system* has been roughed in, and before any *fixture* is installed or piping is covered, a water pressure test or an air pressure test shall be conducted.

2) After every *fixture* is installed and before any part of the *drainage system* or *venting system* is placed in operation, a final test shall be carried out when requested.

3) Where a prefabricated system is assembled off the *building* site in such a manner that it cannot be inspected and tested on site, off-site inspections and tests shall be conducted.

4) Where a prefabricated system is installed as part of a *drainage system* or *venting system*, all other plumbing work shall be tested and inspected and a final test shall be carried out on the complete system when requested.

5) When requested, a ball test shall be made to any pipe in a *drainage system*.

2.3.6.2. Tests of Pipes in Drainage Systems

1) Every pipe in a *drainage system*, except an external *leader* or *fixture outlet pipe*, shall be capable of withstanding without leakage a water pressure test, air pressure test and final test.

2) Every pipe in a *drainage system* shall be capable of meeting a ball test.

2.3.6.3. Tests of Venting Systems

1) Every *venting system* shall be capable of withstanding without leakage a water pressure test, air pressure test and final test.

2.3.6.4. Water Pressure Tests

1) A water pressure test shall consist in applying a water column of at least 3 m to all joints.

2) In making a water pressure test,

- a) every opening except the highest shall be tightly closed with a testing plug or a screw cap, and
- b) the system or the section shall be kept filled with water for 15 min.

2.3.6.5. Air Pressure Tests

1) Air pressure tests shall be conducted in accordance with the manufacturer's instructions for each piping material, and

- a) air shall be forced into the system until a pressure of 35 kPa is created, and
- b) this pressure shall be maintained for at least 15 min without a drop in pressure.

2.3.6.6. Final Tests

1) Where a final test is made

- a) every *trap* shall be filled with water,
- b) the bottom of the system being tested shall terminate at a *building trap*, test plug or cap,
- c) except as provided in Sentence (2), smoke from smoke-generating machines shall be forced into the system,
- d) when the smoke appears from all roof terminals they shall be closed, and
- e) a pressure equivalent to a 25 mm water column shall be maintained for 15 min without the addition of more smoke.

2) The smoke referred to in Clauses (1)(c) and (d) may be omitted provided the roof terminals are closed and the system is subjected to an air pressure equivalent to a 25 mm water column maintained for 15 min without the addition of more air.

2.3.6.7. Ball Tests

1) Where a ball test is made, a hard ball dense enough not to float shall be rolled through the pipe.

2) The diameter of the ball shall be not less than

- a) 50 mm where the *size* of the pipe is 3 inches or more, or
- b) 25 mm where the *size* of the pipe is less than 3 inches.

2.3.7.1.**2.3.7. Testing of Potable Water Systems****2.3.7.1. Application of Tests**

- 1) After a section of a *potable water system* has been completed, and before it is placed in operation, a water pressure test shall be conducted, except that an air pressure test may be used in freezing conditions.
- 2) A pressure test may be applied to each section of the system or to the system as a whole.
- 3) Where a prefabricated system is assembled off the *building* site in such a manner that it cannot be inspected and tested on site, off-site inspections and pressure tests shall be conducted.
- 4) Where a prefabricated system is installed as part of a *water system*,
 - a) all other plumbing work shall be tested and inspected, and
 - b) the complete system shall be pressure tested when requested.

2.3.7.2. Pressure Tests of Potable Water Systems

- 1) Except as required in Sentence (2), every *potable water system* shall be able to withstand
 - a) without leaking, a water pressure that is at least equal to the maximum in-service pressure, or
 - b) an air pressure of not less than 700 kPa for at least 2 h without a drop in pressure.
- 2) If a manufacturer states that an air pressure test is not recommended, a water pressure test shall be performed. (See Appendix A.)

2.3.7.3. Water Pressure Tests

- 1) Where a water pressure test is made, all air shall be expelled from the system before *fixture* control valves or faucets are closed.
- 2) *Potable water* shall be used to test a *potable water system*.

Section 2.4. Drainage Systems**2.4.1. Application****2.4.1.1. General**

- 1) This Section applies to *sanitary drainage systems*, *storm drainage systems*, *combined building drains* or *combined building sewers*.

2.4.2. Connections to Drainage Systems**2.4.2.1. Connections to Sanitary Drainage Systems**

- 1) Every *fixture* shall be *directly connected* to a *sanitary drainage system*, except that
 - a) drinking fountains may be
 - i) *indirectly connected* to a *sanitary drainage system*, or
 - ii) connected to a *storm drainage system* provided that where the system is subject to *backflow*, a *backwater valve* is installed in the fountain *waste pipe* (see Appendix A),
 - b) drainage pans on heating/cooling units may be connected to a *storm drainage system* provided that where the system is subject to *backflow*, a *backwater valve* is installed,
 - c) a floor drain may be connected to a *storm drainage system* provided it is located where it can receive only *clear-water waste* or *storm water*,

- d) *fixtures* or appliances that discharge only *clear-water waste* may be connected to a *storm drainage system* or be drained onto a roof, and
- e) the following devices shall be *indirectly connected* to a *drainage system*:
 - i) a device for the display, storage, preparation or processing of food or drink,
 - ii) a sterilizer,
 - iii) a device that uses water as a cooling or heating medium,
 - iv) a water operated device,
 - v) a water treatment device, or
 - vi) a drain or overflow from a *water system* or a heating system (see Appendix A).

2) The connection of a *soil-or-waste pipe* to a *nominally horizontal soil-or-waste pipe* or to a *nominally horizontal offset* in a *soil-or-waste stack* shall be not less than 1.5 m measured horizontally from the bottom of a *soil-or-waste stack* or from the bottom of the upper vertical section of the *soil-or-waste stack* that

- a) receives a discharge of 30 or more *fixture units*, or
- b) receives a discharge from *fixtures* located on 2 or more *storeys*.

(See Appendix A.)

3) No other *fixture* shall be connected to a lead bend or stub that serves a water closet.

4) A *soil-or-waste pipe* that serves more than one clothes washer, and in which pressure zones are created by detergent suds, shall not serve for connecting other *soil-or-waste pipes*. (See Appendix A.)

2.4.2.2. Connection of Overflows from Rainwater Tanks

1) An overflow from a rainwater tank shall not be *directly connected* to a *drainage system*.

2.4.2.3. Direct Connections

1) Two or more *fixture outlet pipes* that serve outlets from a single *fixture* that is listed in Clause 2.4.2.1.(1)(e) may be *directly connected* to a *branch* that

- a) has a *size* of not less than 1.25 inches, and
- b) is terminated above the *flood level rim* of a *directly connected fixture* to form an *air break*.

2) *Fixture drains* from *fixtures* that are listed in Subclauses 2.4.2.1.(1)(e)(i) and (ii) may be *directly connected* to a pipe that

- a) is terminated to form an *air break* above the *flood level rim* of a *fixture* that is *directly connected* to a *sanitary drainage system*, and
- b) is extended through the roof when *fixtures* on 3 or more *storeys* are connected to it (see A-2.4.2.1.(1)(a)(ii) and (e)(vi) in Appendix A).

3) *Fixture drains* from *fixtures* that are listed in Subclauses 2.4.2.1.(1)(e)(iii) to (vi) may be *directly connected* to a pipe that

- a) is terminated to form an *air break* above the *flood level rim* of a *fixture* that is *directly connected* to a *storm drainage system*, and
- b) is extended through the roof when *fixtures* on 3 or more *storeys* are connected to it.

2.4.3. Location of Fixtures

2.4.3.1. Urinals

1) Urinals shall not be installed adjacent to wall and floor surfaces that are pervious to water. (See Article 3.7.2.6. of Division B of the NBC.)

2.4.3.2. Restricted Locations of Indirect Connections and Traps

1) Indirect connections or any *trap* that may overflow shall not be located in a crawl space or any other unfrequented area.

2.4.3.3.**2.4.3.3. Equipment Restrictions Upstream of Grease Interceptors**

- 1) Except as provided in Sentence (2), equipment discharging waste with organic solids shall not be located upstream of a grease *interceptor*. (See Appendix A.)
- 2) An organic solids *interceptor* may be installed upstream of a grease *interceptor*.

2.4.3.4. Fixtures Located in Chemical Storage Locations

- 1) A floor drain or other *fixture* located in an oil transformer vault, a high voltage room or any room where flammable, dangerous or toxic chemicals are stored or handled shall not be connected to a *drainage system*.

2.4.3.5. Macerating Toilet Systems

- 1) A macerating toilet system shall only be installed where no connection to a gravity *sanitary drainage system* is available.

2.4.3.6. Drains Serving Elevator Pits

- 1) Where a drain is provided in an elevator pit
 - a) it shall be connected directly to a sump well located outside the elevator pit, and
 - b) the drain pipe that connects the sump well to the *drainage system* shall have a *backwater valve*.

2.4.4. Treatment of Sewage and Wastes**2.4.4.1. Sewage Treatment**

- 1) Where a *fixture* or equipment discharges *sewage* or waste that may damage or impair the *sanitary drainage system* or the functioning of a public or *private sewage disposal system*, provision shall be made for treatment of the *sewage* or waste before it is discharged to the *sanitary drainage system*.

2.4.4.2. Cooling of Hot Water or Sewage

- 1) Where a *fixture* discharges *sewage* or *clear-water waste* that is at a temperature above 75°C, provision shall be made for cooling of the waste to 75°C or less before it is discharged to the *drainage system*.

2.4.4.3. Grease Interceptors

- 1) Where a *fixture* discharges *sewage* that includes fats, oils or grease and is located in a public kitchen, in a restaurant or in a *care or detention occupancy*, it shall discharge through a grease *interceptor*. (See Appendix A.)
- 2) Where the discharge from a *fixture* may contain oil or gasoline, an oil *interceptor* shall be installed. (See Article 2.5.5.2. for venting requirements for oil *interceptors*.)
- 3) Where a *fixture* discharges sand, grit or similar materials, an *interceptor* designed for the purpose of trapping such discharges shall be installed.
- 4) Every *interceptor* shall have sufficient capacity to perform the service for which it is provided.

2.4.4.4. Neutralizing and Dilution Tanks

- 1) Where a *fixture* or equipment discharges corrosive or acid waste, it shall discharge into a neutralizing or dilution tank that is connected to the *sanitary drainage system* through
 - a) a *trap*, or
 - b) an indirect connection.
 (See Appendix A.)
- 2) Each neutralizing or dilution tank shall have a method for neutralizing the liquid.

2.4.5. Traps**2.4.5.1. Traps for Sanitary Drainage Systems**

1) Except as provided in Sentences (2), (3), (4) and (5) and in Article 2.4.5.2., every *fixture* shall be protected by a separate *trap*.

2) One *trap* may protect

- a) all the trays or compartments of a 2- or 3-compartment sink,
- b) a 2-compartment laundry tray, or
- c) 2 similar single compartment *fixtures* located in the same room.

(See Appendix A.)

3) One *trap* may serve a group of floor drains or shower drains, a group of washing machines or a group of laboratory sinks if the *fixtures*

- a) are in the same room, and
- b) are not located where they can receive food or other organic matter.

(See Appendix A.)

4) An *indirectly connected fixture* that can discharge only *clear-water waste* other than a drinking fountain need not be protected by a *trap*.

(See Clause 2.4.2.1.(1)(e) for indirect connections.)

5) An *interceptor* with an effective water seal of not less than 38 mm may serve as a *trap*. (See Appendix A.)

6) Where a domestic dishwashing machine equipped with a drainage pump discharges through a direct connection into the *fixture outlet pipe* of an adjacent kitchen sink or disposal unit, the pump discharge line shall rise as high as possible to just under the counter and connect

- a) on the inlet side of the sink *trap* by means of a Y fitting, or
- b) to the disposal unit.

2.4.5.2. Traps for Storm Drainage Systems

1) Where a *storm drainage system* is connected to a *combined building sewer* or a public *combined sewer*, a *trap* shall be installed between any opening in the system and the drain or sewer, except that no *trap* is required if the opening is the upper end of a *leader* that terminates

- a) at a roof that is used only for weather protection,
- b) not less than 1 m above or not less than 3.5 m in any other direction from any air inlet, openable window or door, and
- c) not less than 1.8 m from a property line.

(See Appendix A.)

2) A floor drain that drains to a *storm drainage system* shall be protected by a *trap* that

- a) is located between the floor drain and a *leader, storm building drain* or *storm building sewer*,
- b) may serve all floor drains located in the same room, and
- c) need not be protected by a *vent pipe*.

3) Where freezing conditions could cause *storm drainage systems* to freeze due to air circulation within the piping, a *trap* with a *cleanout* shall be installed in a heated location.

2.4.5.3. Connection of Subsoil Drainage Pipe to a Sanitary Drainage System

1) Where a *subsoil drainage pipe* is connected to a *sanitary drainage system*, the connection shall be made on the upstream side of a *trap* with a *cleanout* or a trapped sump. (See Appendix A.)

2.4.5.4. Location and Cleanout for Building Traps

1) Where a *building trap* is installed it shall

- a) be provided with a *cleanout* fitting on the upstream side of and directly over the *trap*,

- b) be located upstream of the *building cleanout*, and
- c) be located
 - i) inside the *building* as close as practical to the place where the *building drain* leaves the *building*, or
 - ii) outside the *building* in a manhole.

(See Appendix A.)

2.4.5.5. Trap Seals

- 1) Provision shall be made for maintaining the *trap* seal of a floor drain by
 - a) the use of a *trap* seal primer,
 - b) using the drain as a receptacle for an *indirectly connected* drinking fountain, or
 - c) other equally effective means.

(See Appendix A.)

2.4.6. Arrangement of Drainage Piping

2.4.6.1. Separate Systems

- 1) No vertical *soil-or-waste pipe* shall conduct both *sewage* and *storm water*.
- 2) A *combined building drain* shall not be installed. (See A-2.1.2.1.(2) in Appendix A.)
- 3) There shall be no unused open ends in a *drainage system* and *dead ends* shall be so graded that water will not collect in them.

2.4.6.2. Location of Soil-or-Waste Pipes

- 1) A *soil-or-waste pipe* shall not be located directly above
 - a) non-pressure *potable* water storage tanks,
 - b) manholes in pressure *potable* water storage tanks, or
 - c) food-handling or food-processing equipment.

2.4.6.3. Sumps or Tanks

(See Appendix A.)

- 1) Piping that is too low to drain into a *building sewer* by gravity shall be drained to a sump or receiving tank.
- 2) Where the sump or tank receives *sewage*, it shall be water- and air-tight and shall be vented.
- 3) Equipment such as a pump or ejector that can lift the contents of the sump or tank and discharge it into the *building drain* or *building sewer* shall be installed.
- 4) Where the equipment does not operate automatically, the capacity of the sump shall be sufficient to hold at least a 24 h accumulation of liquid.
- 5) Where there is a *building trap*, the discharge pipe from the equipment shall be connected to the *building drain* downstream of the *trap*.
- 6) The discharge pipe from every pumped sump shall be equipped with a union, a *check valve* and a shut-off valve installed in that sequence in the direction of discharge.
- 7) The discharge piping from a pump or ejector shall be sized for optimum flow velocities at pump design conditions.

2.4.6.4. Protection from Backflow

- 1) Except as permitted in Sentence (2), a *backwater valve* or a gate valve that would prevent the free circulation of air shall not be installed in a *building drain* or in a *building sewer*. (See Appendix A.)

- 2)** A *backwater valve* may be installed in a *building drain* provided that
- a) it is a “normally open” design conforming to
 - i) CSA B70, “Cast Iron Soil Pipe, Fittings, and Means of Joining,”
 - ii) CSA B181.1, “Acrylonitrile-Butadiene-Styrene (ABS) Drain, Waste, and Vent Pipe and Pipe Fittings,”
 - iii) CSA B181.2, “Polyvinylchloride (PVC) and Chlorinated Polyvinylchloride (CPVC) Drain, Waste, and Vent Pipe and Pipe Fittings,” or
 - iv) CSA B182.1, “Plastic Drain and Sewer Pipe and Pipe Fittings,” and
 - b) it does not serve more than one *dwelling unit*.

3) Except as provided in Sentences (4), (5) and (6), where a *building drain* or a *branch* may be subject to *backflow*, a gate valve or a *backwater valve* shall be installed on every *fixture drain* connected to them when the *fixture* is located below the level of the adjoining street.

4) Where the *fixture* is a floor drain, a removable screw cap may be installed on the upstream side of the *trap*.

5) Where more than one *fixture* is located on a *storey* and all are connected to the same *branch*, the gate valve or *backwater valve* may be installed on the *branch*.

6) A *subsoil drainage pipe* that drains into a *sanitary drainage system* that is subject to surcharge shall be connected in such a manner that *sewage* cannot back up into the *subsoil drainage pipe*. (See Appendix A.)

2.4.6.5. Mobile Home Sewer Service

- 1)** A *building sewer* intended to serve a mobile home shall be
- a) not less than 4 inches in *size*,
 - b) terminated above ground,
 - c) provided with
 - i) a tamperproof terminal connection that is capable of being repeatedly connected, disconnected and sealed,
 - ii) a protective concrete pad, and
 - iii) a means to protect it from frost heave, and
 - d) designed and constructed in accordance with good engineering practice.

2.4.7. Cleanouts

2.4.7.1. Cleanouts for Drainage Systems

1) Every *sanitary drainage system* and *storm drainage system* shall be provided with *cleanouts* that will permit cleaning of the entire system. (See Appendix A.)

2) A *cleanout* fitting shall be provided on the upstream side and directly over every running *trap*.

3) Every interior *leader* shall be provided with a *cleanout* fitting at the bottom of the *leader* or not more than 3 m upstream from the bottom of the *leader*.

4) Where a *cleanout* is required on a *building sewer* 8 inches or larger in *size*, it shall be a manhole.

5) A *building sewer* shall not change direction or slope between the *building* and public sewer or between *cleanouts*, except that pipes not more than 6 inches in *size* may change direction

- a) by not more than 5° every 3 m, or
- b) by the use of fittings with a cumulative change in direction of not more than 45°.

6) Every *building drain* shall be provided with a *cleanout* fitting that is located as close as practical to the place where the *building drain* leaves the *building*. (See Appendix A.)

- 7) Every *soil-or-waste stack* shall be provided with a *cleanout* fitting
 - a) at the bottom of the stack,
 - b) not more than 3 m upstream of the bottom of the stack, or
 - c) on a Y fitting connecting the stack to the *building drain* or *branch*.
- 8) A *cleanout* shall be provided to permit the cleaning of the piping downstream of an *interceptor*.
- 9) *Cleanouts* shall be installed so that the cumulative change in direction is not more than 90° between *cleanouts* in a drip pipe from a food receptacle or in a *fixture drain* serving a kitchen sink. (See Appendix A.)

2.4.7.2. Size and Spacing of Cleanouts

- 1) Except as provided in Sentences (2) and (3), the *size* and spacing of *cleanouts* in *nominally horizontal* pipes of a *drainage system* shall conform to Table 2.4.7.2.

Table 2.4.7.2.
Permitted Size and Spacing of Cleanouts
Forming Part of Sentence 2.4.7.2.(1)

Size of Drainage Pipe, inches	Minimum Size of <i>Cleanout</i> , inches	Maximum Spacing, m	
		One-Way Rodding	Two-Way Rodding
less than 3	Same <i>size</i> as drainage pipe	7.5	15
3 and 4	Same <i>size</i> as drainage pipe	15	30
over 4	4	26	52

- 2) The spacing between manholes serving a *building sewer*
 - a) 24 inches or less in *size* shall not exceed 90 m, and
 - b) over 24 inches in *size* shall not exceed 150 m.
- 3) The *developed length* of a *building sewer* between the *building* and the first manhole to which the *building sewer* connects shall not exceed 75 m.
- 4) Where a *building sewer* connects to another *building sewer* other than by a manhole, the *developed length* between the *building* and the *building sewer* to which it connects shall not exceed 30 m.
- 5) *Cleanouts* that allow rodding in one direction only shall be installed to permit rodding in the direction of flow.

2.4.7.3. Manholes

- 1) A manhole including the cover shall be designed to support all loads imposed upon it.
- 2) A manhole shall be provided with
 - a) a cover that provides an airtight seal if located within a *building*,
 - b) a rigid ladder of a corrosion-resistant material where the depth exceeds 1 m, and
 - c) a vent to the exterior if the manhole is located within a *building*.
- 3) A manhole shall have a minimum horizontal dimension of 1 m, except that the top 1.5 m may be tapered from 1 m down to a minimum of 600 mm at the top.
- 4) A manhole in a *sanitary drainage system* shall be channeled to direct the flow of effluent.

2.4.7.4. Location of Cleanouts

- 1) *Cleanouts* and access covers shall be located so that their openings are readily accessible for drain cleaning purposes.

- 2) A *cleanout* shall not be
 - a) located in a floor assembly in a manner that may constitute a hazard, or
 - b) used as a floor drain.
- 3) There shall be no change of direction between a *cleanout* fitting and the *trap* that it serves.
- 4) The piping between a *cleanout* fitting and the drainage piping or vent piping that it serves shall not change direction by more than 45°.
- 5) *Cleanouts* serving *fixtures* in health care facilities, mortuaries, laboratories and similar *occupancies*, where contamination by body fluids is likely, shall be located a minimum of 150 mm above the *flood level rim* of the *fixture*.

2.4.8. Minimum Slope and Length of Drainage Pipes

2.4.8.1. Minimum Slope

1) Except as provided in Articles 2.4.10.8. and 2.4.10.9., every drainage pipe that has a *size* of 3 inches or less, and every *fixture drain* shall have a downward slope in the direction of flow of at least 1 in 50. (See Appendix A.)

2.4.8.2. Length of Fixture Outlet Pipes

1) Except for *fixture outlet pipes* installed in conformance with Sentence 2.4.5.1.(3), the *developed length* of every *fixture outlet pipe* shall not exceed 1 200 mm. (See Appendix A.) (See also A-2.4.5.1.(2) in Appendix A.)

2.4.9. Size of Drainage Pipes

2.4.9.1. No Reduction in Size

- 1) A *soil-or-waste pipe* shall be of a *size* not less than the *size* of
 - a) a *vent pipe* that is connected to it, or
 - b) the largest *soil-or-waste pipe* that drains into it.

2.4.9.2. Serving Water Closets

- 1) The *size* of every drainage pipe that serves a water closet shall be not less than 3 inches.
- 2) The *size* of every *branch* or *building drain* downstream of the third water closet *fixture drain* connection shall be not less than 4 inches.
- 3) The *size* of every *soil-or-waste stack* that serves more than 6 water closets shall be not less than 4 inches.
- 4) The discharge pipe serving a macerating toilet shall be not less than 3/4 inch in *size* with a hydraulic load of 4 *fixture units*.

2.4.9.3. Size of Fixture Outlet Pipes

- 1) Except as provided in Sentence (2), the *size* of every *fixture outlet pipe* shall conform to Table 2.4.9.3.
- 2) The part of the *fixture outlet pipe* that is common to 3 compartments of a sink shall be one *size* larger than the largest *fixture outlet pipe* of the compartments that it serves. (See Appendix A.)

Table 2.4.9.3.
Minimum Permitted Size of Fixture Outlet Pipe and Hydraulic Loads for Fixtures⁽¹⁾ ◇
 Forming Part of Sentences 2.4.9.3.(1) and 2.4.10.2.(1)

<i>Fixture</i>	<i>Minimum Size of Fixture Outlet Pipe, inches</i>	<i>Hydraulic Load, fixture units</i>
Autopsy table	1½	2
<i>Bathroom group</i>		
(a) with flush tank	n/a	6
(b) with direct flush valve	n/a	8
Bathtub (with or without shower)	1½	1½
Bath: foot, sitz or slab	1½	1½
Beer cabinet	1½	1½
Bidet	1¼	1
Clothes washer		
(a) domestic ⁽¹⁾	n/a	1½ with 1½-in. trap
(b) commercial	n/a	2 with 1½-in. trap
Dental unit or cuspidor	1¼	1
Dishwasher		
(a) domestic type	1½	1½ no load when connected to garbage grinder or domestic sink
(b) commercial type	2	3
Drinking fountain	1¼	½
Floor drain ⁽²⁾	2	2 with 2-in. trap 3 with 3-in. trap
Garbage grinder, commercial type	2	3
Icebox	1¼	1
Laundry tray		
(a) single or double units or 2 single units with common trap	1½	1½
(b) 3 compartments	1½	2
Lavatory		
(a) barber or beauty parlor	1½	1½
(b) dental	1¼	1
(c) domestic type, single or 2 single with common trap	1¼	1 with 1¼-in. trap 1½ with 1½-in. trap
(d) multiple or industrial type	1½	according to Table 2.4.10.2.
Potato peeler	2	3
Shower drain		
(a) from 1 head	1½	1½
(b) from 2 or 3 heads	2	3
(c) from 4 to 6 heads	3	6

Table 2.4.9.3. (Continued)

<i>Fixture</i>	<i>Minimum Size of Fixture Outlet Pipe, inches</i>	<i>Hydraulic Load, fixture units</i>
Sink		
(a) domestic and other small types with or without garbage grinders, single, double or 2 single with a common trap	1½	1½
(b) Other sinks	1½	1½ with 1½-in. trap 2 with 2-in. trap 3 with 3-in. trap
Urinal		
(a) pedestal, siphon-jet or blowout type	2	4
(b) stall, washout type	2	2
(c) wall		
(i) washout type	1½	1½
(ii) other types	2	3
Water closet		
(a) with flush tank	3	4
(b) with direct flush valve	3	6

Notes to Table 2.4.9.3.:

- (1) See Appendix A.
- (2) No hydraulic load for *emergency floor drains*.

3) Where clothes washers do not drain to a laundry tray, the trap inlet shall be fitted with a vertical standpipe that is not less than 600 mm long measured from the trap weir and terminates above the flood level rim of the clothes washer. (See Appendix A.)

2.4.9.4. Size of Building Drain and Building Sewer

1) The size of every building drain and building sewer connected to the public sewer system downstream of the main cleanout (see Sentence 2.4.7.1.(6)) shall be not less than 4 inches.

2.4.9.5. Offset in Leaders

1) No change in the size of a leader with a nominally horizontal offset is required if the offset

- a) is located immediately under the roof,
- b) is not more than 6 m long, and
- c) has a slope of not less than 1 in 50.

2) If the horizontal offset is more than 6 m long, the leader shall conform to Table 2.4.10.9.

2.4.10. Hydraulic Loads

(See Appendix A for determination of hydraulic loads and drainage pipe sizes.)

2.4.10.1. Total Load on a Pipe

- 1)** The hydraulic load on a pipe is the total load from
 - a) every fixture that is connected to the system upstream of the pipe,
 - b) every fixture for which provision is made for future connection upstream of the pipe, and
 - c) all roofs and paved surfaces that drain into the system upstream of the pipe.

2.4.10.2. Hydraulic Loads for Fixtures

- 1)** The hydraulic load from a *fixture* that is listed in Table 2.4.9.3. is the number of *fixture units* set forth in the Table.
- 2)** Except as provided in Sentence (1), the hydraulic load from a *fixture* that is not listed in Table 2.4.9.3. is the number of *fixture units* set forth in Table 2.4.10.2. for the *trap* of the *size* that serves the *fixture*.

Table 2.4.10.2.
Permitted Hydraulic Load from a Fixture Based on Size of Trap
 Forming Part of Sentence 2.4.10.2.(2)

Size of trap, inches	Hydraulic Load, <i>fixture units</i>
1¼	1
1½	2
2	3
2½	4
3	5
4	6

2.4.10.3. Hydraulic Loads from Fixtures with a Continuous Flow

- 1)** Except as provided in Sentence (2), the hydraulic load from a *fixture* that produces a continuous flow, such as a pump or an air-conditioning *fixture*, is 31.7 *fixture units* for each litre per second of flow.
- 2)** Where a *fixture* or equipment that produces a continuous or semi-continuous flow drains to a *combined sewer* or to a *storm sewer*, the hydraulic load from the *fixture* is 900 L for each litre per second of flow.

2.4.10.4. Hydraulic Loads from Roofs or Paved Surfaces

- 1)** Except as provided in Sentence (2), the hydraulic load in litres from a roof or paved surface is the maximum 15 min rainfall determined in conformance with Subsection 1.1.3. of Division B of the NBC, multiplied by the sum of
- the area in square metres of the horizontal projection of the surface drained, and
 - one-half the area in square metres of the largest adjoining vertical surface.
- (See Appendix A.)
- 2)** *Flow control roof drains* may be installed provided
- the maximum drain down time does not exceed 24 h,
 - the roof structure has been designed to carry the load of the stored water,
 - one or more scuppers are installed so that the maximum depth of water on the roof cannot exceed 150 mm,
 - they are located not more than 15 m from the edge of the roof and not more than 30 m from adjacent drains, and
 - there is at least one drain for each 900 m².
- 3)** Hydraulic loads in litres per second for *flow control roof drains* and restricted paved area drains shall be determined according to rain intensity-duration frequency curves as compiled by Environment Canada using 25-year frequencies.

2.4.10.5. Conversion of Fixture Units to Litres

- 1)** Except as provided in Sentence 2.4.10.3.(2), where the hydraulic load is to be expressed in litres, *fixture units* shall be converted as follows:
- when the number of *fixture units* is 260 or fewer, the load is 2 360 L, and
 - when the number of *fixture units* exceeds 260, the load is 9.1 L for each *fixture unit*.

2.4.10.6. Hydraulic Loads to Soil-or-Waste Pipes

1) Except as provided in Sentence (2), the hydraulic load that is drained to every *soil-or-waste stack* shall conform to Table 2.4.10.6.A.

2) Where the *nominally horizontal offset* in a *soil-or-waste stack* is 1.5 m or more, the hydraulic load that is served by it shall conform to Table 2.4.10.6.B. or Table 2.4.10.6.C., whichever is the less restrictive.

Table 2.4.10.6.A.
Maximum Permitted Hydraulic Load Drained to a Soil-or-Waste Stack
 Forming Part of Sentence 2.4.10.6.(1)

Size of Stack, inches	Maximum Hydraulic Load, <i>fixture units</i>	Maximum <i>Fixture Units</i> Drained from any 1 Storey
1¼	2	2
1½	8	2
2	24	6
3	102	18
4	540	100
5	1 400	250
6	2 900	500
8	7 600	830
10	15 000	2 700
12	26 000	4 680
15	50 000	9 000

Table 2.4.10.6.B.
Maximum Permitted Hydraulic Load Drained to a Branch
 Forming Part of Sentence 2.4.10.6.(2) and Article 2.4.10.7.

Size of Branch, inches	Maximum Hydraulic Load, <i>fixture units</i>
1¼	2
1½	3
2	6
2½	12
3	27
4	180
5	390
6	700
8	1 600
10	2 500
12	3 900

Table 2.4.10.6.C.
Maximum Permitted Hydraulic Load Drained to a Sanitary Building Drain or Sewer
 Forming Part of Sentence 2.4.10.6.(2) and Article 2.4.10.8.

Size of Drain or Sewer, inches	Maximum Hydraulic Load, <i>fixture units</i>					
	Slope					
	1 in 400	1 in 200	1 in 133	1 in 100	1 in 50	1 in 25
3	—	—	—	—	27	36
4	—	—	—	180	240	300
5	—	—	380	390	480	670
6	—	—	600	700	840	1 300
8	—	1 400	1 500	1 600	2 250	3 370
10	—	2 500	2 700	3 000	4 500	6 500
12	2 240	3 900	4 500	5 400	8 300	13 000
15	4 800	7 000	9 300	10 400	16 300	22 500

2.4.10.7. Hydraulic Loads on Branches

- 1) The hydraulic load that is drained to a *branch* shall conform to Table 2.4.10.6.B.

2.4.10.8. Hydraulic Loads on Sanitary Building Drains or Sewers

- 1) The hydraulic load that is drained to a *sanitary building drain* or a *sanitary building sewer* shall conform to Table 2.4.10.6.C.

2.4.10.9. Hydraulic Loads on Storm or Combined Building Drains or Sewers

- 1) The hydraulic load that is drained to a *storm building drain*, a *storm building sewer* or a *combined building sewer* shall conform to Table 2.4.10.9.

Table 2.4.10.9.
Maximum Permitted Hydraulic Load Drained to a Storm Building Drain or Sewer or a Combined Building Sewer
 Forming Part of Article 2.4.10.9.

Size of Drain or Sewer, inches	Maximum Hydraulic Load, L						
	Slope						
	1 in 400	1 in 200	1 in 133	1 in 100	1 in 68	1 in 50	1 in 25
3	—	—	—	—	2 390	2 770	3 910
4	—	—	—	4 220	5 160	5 970	8 430
5	—	—	6 760	7 650	9 350	10 800	15 300
6	—	—	10 700	12 400	15 200	17 600	24 900
8	—	18 900	23 200	26 700	32 800	37 800	53 600
10	—	34 300	41 900	48 500	59 400	68 600	97 000
12	37 400	55 900	68 300	78 700	96 500	112 000	158 000
15	71 400	101 000	124 000	143 000	175 000	202 000	287 000

2.4.10.10. Hydraulic Loads to Roof Gutters

- 1) The hydraulic load that is drained to a *roof gutter* shall conform to Table 2.4.10.10.

Table 2.4.10.10.
Maximum Permitted Hydraulic Load Drained to a Roof Gutter
 Forming Part of Article 2.4.10.10.

Size of Gutter, inches	Area of Gutter, cm ²	Maximum Hydraulic Load, L			
		Slope			
		1 in 200	1 in 100	1 in 50	1 in 25
3	22.8	406	559	812	1 140
4	40.5	838	1 190	1 700	2 410
5	63.3	1 470	2 080	2 950	4 170
6	91.2	2 260	3 200	4 520	6 530
7	124.1	3 250	4 600	6 500	9 190
8	162.1	4 700	6 600	9 400	13 200
10	253.4	8 480	12 000	17 000	23 600

2.4.10.11. Hydraulic Loads on Leaders

- 1) The hydraulic load that is drained to a *leader* shall conform to Table 2.4.10.11.

Table 2.4.10.11.
Maximum Permitted Hydraulic Load Drained to a Leader
 Forming Part of Article 2.4.10.11.

Circular <i>Leader</i>		Non-Circular <i>Leader</i>	
Size of <i>Leader</i> , inches	Maximum Hydraulic Load, L	Area of <i>Leader</i> , cm ²	Maximum Hydraulic Load, L
2	1 700	20.3	1 520
2½	3 070	31.6	2 770
3	5 000	45.6	4 500
4	10 800	81.1	9 700
5	19 500	126.6	17 600
6	31 800	182.4	28 700
8	68 300	324.3	61 500

2.4.10.12. Hydraulic Loads from Fixtures with a Semi-continuous Flow

- 1) The hydraulic load from a *fixture* or equipment that produces a semi-continuous flow shall conform to Table 2.4.10.12.

Table 2.4.10.12.
Maximum Permitted Hydraulic Load from Fixtures with a Semi-continuous Flow
 Forming Part of Sentence 2.4.10.12.(1)

Trap Size, inches	Flow, L/s	Hydraulic Load, <i>fixture units</i>
1½	0.00 - 0.090	3
2	0.091 - 0.190	6
3	0.191 - 0.850	27
4	0.851 - 5.700	180

2.4.10.13. Design of Storm Sewers

1) Except as provided in Sentences 2.4.10.4.(1) and (2), and Article 2.4.10.9., *storm sewers* may be designed in accordance with good engineering practice.

Section 2.5. Venting Systems**2.5.1. Vent Pipes for Traps****2.5.1.1. Venting for Traps**

1) Except as provided in Sentences (3) and (4), every *trap* shall be protected by a *vent pipe*.

2) *Drainage systems* may require additional protection as provided in Subsections 2.5.4. and 2.5.5. by the installation of

- a) *branch vents*,
- b) *vent stacks*,
- c) *stack vents*,
- d) *vent headers*,
- e) *fresh air inlets*,
- f) *relief vents*,
- g) *circuit vents*,
- h) *yoke vents*,
- i) *offset relief vents*,
- j) *additional circuit vents*,
- k) *wet vents*,
- l) *individual vents*,
- m) *dual vents*, or
- n) *continuous vents*.

3) A *trap* that serves a floor drain need not be protected where

- a) the *size* of the *trap* is not less than 3 inches,
- b) the length of the *fixture drain* is not less than 450 mm, and
- c) the fall on the *fixture drain* does not exceed its *size*.

(See Appendix A.)

4) A *trap* need not be protected by a *vent pipe*

- a) where it serves
 - i) a *subsoil drainage pipe*, or
 - ii) a *storm drainage system*, or
- b) where it forms part of an indirect *drainage system*. (See also Clause 2.4.2.3.(2)(b).)

(See Appendix A.)

2.5.2. Wet Venting**2.5.2.1. Wet Venting**

(See A-2.5.2.1. and 2.5.3.1. in Appendix A.)

1) A *soil-or-waste pipe* may serve as a *wet vent* provided that

- a) the hydraulic load is in accordance with Table 2.5.2.1.,
- b) the number of wet-vented water closets does not exceed 2,
- c) where 2 water closets are installed, they are connected at the same level by means of a double sanitary T fitting if the *vent pipe* is vertical and by means of a double Y fitting if the *vent pipe* is horizontal,
- d) the water closets are installed downstream of all other *fixtures*,
- e) *trap arms* and *fixture drains* connected to the *wet vent* do not exceed 2 inches in *size*, except for connections from *emergency floor drains* in accordance with Sentence 2.5.1.1.(3),

- f) the total hydraulic load on the *wet vent* does not exceed the limits stated in Table 2.5.2.1. when separately vented *branches* or *fixture drains* in the same *storey*, having a total hydraulic load not greater than 2 *fixture units*, are connected to the *wet vent* or a wet-vented water closet *trap arm*,
- g) the hydraulic load to be considered when sizing a *continuous vent* that serves a *wet vent* only includes the hydraulic load that is wet-vented,
- h) where a *wet vent* extends through more than one *storey*, the total discharge from any one *storey* above the first *storey* does not exceed 4 *fixture units*,
- i) there is not more than one *nominally horizontal offset* in the *wet vent*, and
 - i) the *offset* does not exceed 1.2 m for pipes 2 inches or less in *size*, or
 - ii) the *offset* does not exceed 2.5 m for pipes larger than 2 inches in *size*,
- j) the wet-vented portion is not reduced in *size* except for the portion that is upstream of *emergency floor drains* in accordance with Sentence 2.5.1.1.(3), and
- k) the length of the *wet vent* is not limited.

Table 2.5.2.1.
Sizing of Wet Vents
 Forming Part of Sentence 2.5.2.1.(1)

Size of <i>Wet Vent</i> , inches	Maximum Hydraulic Load, <i>fixture units</i>	
	Not Serving Water Closets	<i>Fixtures</i> , Other Than Water Closets, That Serve Not More Than 2 Water Closets
1½	2	—
2	4	3
3	12	8
4	36	14
5	—	18
6	—	23

2.5.3. Circuit Venting

2.5.3.1. Circuit Venting

(See A-2.5.2.1. and 2.5.3.1. in Appendix A.)

- 1)** A section of horizontal *branch* may be circuit-vented provided
 - a) a *circuit vent* is connected to it,
 - b) all *fixtures* served by the *circuit vent* are located in the same *storey*, and
 - c) no *soil-or-waste stack* is connected to it upstream of a circuit-vented *fixture*.
- 2)** *Fixtures* with *fixture outlet pipes* less than 2 inches in *size* shall be separately vented or separately circuit-vented.
- 3)** Except as provided in Sentences (4) and (5), a *relief vent* shall be connected to the *branch* that forms part of a circuit-vented system, downstream of the connection of the most downstream circuit-vented *fixture*.
- 4)** A *soil-or-waste pipe* having a hydraulic load not greater than 6 *fixture units* may act as a *relief vent* for a *branch* that is circuit-vented.
- 5)** A symmetrically connected *relief vent* may serve as a combined *relief vent* for a maximum of 2 *branches* that are circuit-vented, provided there are not more than 8 circuit-vented *fixtures* connected between the combined *relief vent* and each *circuit vent*.

- 6)** *Additional circuit vents* shall be required
- where each cumulative horizontal change in direction of a *branch* served by a *circuit vent* exceeds 45° between *vent pipe* connections, or
 - where more than 8 circuit-vented *fixtures* are connected to a *branch* between *vent pipe* connections.

7) A *soil-or-waste pipe* may serve as an *additional circuit vent* in accordance with Sentence (6) provided that the *soil-or-waste pipe* is sized as a *wet vent* in conformance with Article 2.5.8.1. and is not less than 2 inches in *size*.

8) Connections to *circuit vents* and *additional circuit vents* in accordance with Sentence (6) shall conform to Sentence 2.5.4.5.(1).

9) A circuit-vented *branch*, including the *fixture drain* downstream of the *circuit vent* connection, shall be sized in accordance with Article 2.4.10.7., except that it shall be not less than

- 2 inches, where *traps* less than 2 inches in *size* are circuit-vented, or
- 3 inches, where *traps* 2 inches in *size* or larger are circuit-vented.

10) *Additional circuit vents* shall be sized in accordance with Table 2.5.7.1. and Sentence 2.5.7.3.(1).

11) The hydraulic load on a *circuit vent* shall include the hydraulic load from *fixtures* connected to the *branch* served by the *circuit vent*, but shall not include the hydraulic load from *fixtures* permitted by Sentences (3), (4) and (5).

2.5.4. Vent Pipes for Soil-or-Waste Stacks

2.5.4.1. Stack Vents

- 1)** The upper end of every *soil-or-waste stack* shall terminate in a *stack vent*.

2.5.4.2. Vent Stacks

1) Except as provided in Sentence (2), every *soil-or-waste stack* greater than 4 *storeys* in height shall have a *vent stack*.

2) A *soil-or-waste stack* that serves as a *wet vent* does not require a *vent stack*.

3) The *vent stack* required by Sentence (1) shall be connected to a vertical section of the *soil-or-waste stack* at or immediately below the lowest *soil-or-waste pipe* connected to the *soil-or-waste stack*.

- 4)** *Fixtures* may be connected to a *vent stack* provided
- the total hydraulic load of the connected *fixtures* does not exceed 8 *fixture units*,
 - at least one *fixture* is connected to a vertical portion of the *vent stack* and upstream of any other *fixtures*,
 - no other *fixture* is connected downstream of a water closet,
 - all *fixtures* are located in the lowest *storey* served by the *vent stack*, and
 - the section of the *vent pipe* that acts as a *wet vent* conforms to the requirements regarding *wet vents*.

2.5.4.3. Yoke Vents

(See Appendix A.)

1) Except as provided in Sentence (4), where a *soil-or-waste stack* receives the discharge from *fixtures* located on more than 11 *storeys*, a *yoke vent* shall be installed

- for each section of 5 *storeys* or part thereof counted from the top down, and
- at or immediately above each *offset* or double *offset*.

2) The *yoke vent* shall be connected to the *soil-or-waste stack* by means of a drainage fitting at or immediately below the lowest *soil-or-waste pipe* from the lowest *storey* of the sections described in Sentence (1).

3) The *yoke vent* shall connect to the *vent stack* at least 1 m above the floor level of the lowest *storey* in the section described in Sentence (1).

4) A *yoke vent* need not be installed provided the *soil-or-waste stack* is interconnected with the *vent stack* in each *storey* of the section in which *fixtures* are located by means of a *vent pipe* equal in *size* to the *branch* or *fixture drain* or 2 inches in *size*, whichever is smaller.

2.5.4.4. Offset Relief Vents

1) A *soil-or-waste stack* that has a *nominally horizontal offset* more than 1.5 m long and above which the upper vertical portion of the stack passes through more than 2 *storeys* and receives a hydraulic load of more than 100 *fixture units* shall be vented by an *offset relief vent* connected to the vertical section immediately above the *offset* and by another *offset relief vent*

- a) connected to the lower vertical section at or above the highest *soil-or-waste pipe* connection, or
 - b) extended as a vertical continuation of the lower section.
- (See Appendix A.)

2.5.4.5. Fixtures Draining into Vent Pipes

1) The *trap arm* of a *fixture* that has a hydraulic load of not more than 1 1/2 *fixture units* may be connected to the vertical section of a *circuit vent*, *additional circuit vent*, *offset relief vent* or *yoke vent*, provided that

- a) not more than 2 *fixtures* are connected to the *vent pipe*,
- b) where 2 *fixtures* are connected to the *vent pipe*, the connection is made by means of a double sanitary T fitting, and
- c) the section of the *vent pipe* that acts as a *wet vent* conforms to the requirements regarding *wet vents*.

(See Appendix A.)

2.5.5. Miscellaneous Vent Pipes

2.5.5.1. Venting of Sewage Sumps

1) Every sump that receives *sewage* shall be provided with a *vent pipe* that is connected to the top of the sump. (See Article 2.5.7.7. for sizing of these vents.)

2.5.5.2. Venting of Oil Interceptors

(See Appendix A.) (See also Article 4.3.5.2. of Division B of the NFC.)

1) Every oil *interceptor* shall be provided with 2 *vent pipes* that

- a) connect to the *interceptor* at opposite ends,
- b) extend independently to outside air, and
- c) terminate not less than 2 m above ground and at elevations differing by at least 300 mm.

2) Adjacent compartments within every oil *interceptor* shall be connected to each other by a vent opening.

3) Where a secondary receiver for oil is installed in conjunction with an oil *interceptor*, it shall be vented in accordance with the manufacturer's recommendations, and the *vent pipe* shall

- a) in no case be less than 1 1/2 inches in *size*,
- b) extend independently to outside air, and
- c) terminate not less than 2 m above ground.

4) The *vent pipes* referred to in Sentence (1) are permitted to be one *size* smaller than the largest connected drainage pipe but not less than 1 1/4 inches in *size*, or can be sized in accordance with the manufacturer's recommendations.

5) Every *vent pipe* that serves an oil or grease *interceptor* and is located outside a *building* shall be not less than 3 inches in *size* in areas where it may be subject to frost closure.

2.5.5.3.**2.5.5.3. Venting of Drain Piping and Dilution Tanks for Corrosive Waste**

1) *Venting systems* for drain piping or dilution tanks conveying corrosive waste shall extend independently and terminate in outside air. (See Article 2.5.7.7. for sizing of these vents.)

2.5.5.4. Fresh Air Inlets

1) Where a *building trap* is installed, a *fresh air inlet* not less than 4 inches in *size* shall be connected upstream and within 1.2 m of the *building trap* and downstream of any other connection. (See A-2.4.5.4.(1) in Appendix A.)

2.5.5.5. Provision for Future Installations

1) Where provision is made for a *fixture* to be installed in the future, the *drainage system* and *venting system* shall be sized accordingly and provision shall be made for the necessary future connections.

2) Except as required in Sentence 2.5.7.7.(2), where a *plumbing system* is installed in a *building*, every *storey* in which plumbing is or may be installed, including the basement of a single-family dwelling, shall have extended into it or passing through it a *vent pipe* that is at least 1 1/2 inches in *size* for the provision of future connections.

2.5.6. Arrangement of Vent Pipes**2.5.6.1. Drainage of Vent Pipes**

1) Every *vent pipe* shall be installed without depressions in which moisture can collect.

2.5.6.2. Vent Pipe Connections

1) Every *vent pipe* shall be installed in a *nominally vertical* position where it is practical to do so.

2) Except for *wet vents*, where a *vent pipe* is connected to a *nominally horizontal soil-or-waste pipe*, the connection shall be above the horizontal centre line of the *soil-or-waste pipe*. (See Appendix A.)

3) Unused *vent pipes* installed for future connections shall be permanently capped with an end *cleanout* or an adapter and plug.

2.5.6.3. Location of Vent Pipes

1) Except as provided in Sentences (2) and (3), a *vent pipe* that protects a *fixture trap* shall be located so that

- a) the *developed length* of the *trap arm* is not less than twice the *size* of the *fixture drain*,
- b) the total fall of the *trap arm* is not greater than its inside diameter, and
- c) the *trap arm* does not have a cumulative change in direction of more than 135°.

(See Appendix A.)

2) The *trap arm* of water closets, of *S-trap standards* or of any other *fixture* that also discharges vertically and depends on siphonic action for its proper functioning shall not have a cumulative change in direction of more than 225°. (See Appendix A.)

3) A *vent pipe* that protects a water closet or any other *fixture* that also depends on siphonic action for its proper functioning shall be located so that the distance between the connections of the *fixture drain* to the *fixture* and the *vent pipe* does not exceed

- a) 1 m in the vertical plane, and
- b) 3 m in the horizontal plane.

(See Appendix A.)

4) The maximum length of every *trap arm* shall conform to Table 2.5.6.3.

Table 2.5.6.3.
Length of Trap Arm
 Forming Part of Sentence 2.5.6.3.(4)

Size of <i>Trap Served</i> , inches	Maximum Length of <i>Trap Arm</i> , m	Minimum Slope
1¼	1.5	1/50
1½	1.8	1/50
2	2.4	1/50
3	3.6	1/50
4	4.8	1/50
4	9.8	1/100

2.5.6.4. Connection of Vents above Fixtures Served

- 1) Except for a *wet vent*, every *vent pipe* shall extend above the *flood level rim* of every *fixture* that it serves before being connected to another *vent pipe*.
- 2) No *vent pipe* shall be connected in such a manner that a blockage in a *soil-or-waste pipe* would cause waste to drain through the *vent pipe* to the *drainage system*.

2.5.6.5. Terminals

- 1) Except as provided in Sentence (3), the upper end of every *vent pipe* that is not terminated in outside air shall be connected to a *venting system* that terminates through a roof to outside air.
- 2) The upper end of every *vent pipe* that is terminated in outside air, other than a *vent pipe* that serves an oil *interceptor* or a *fresh air inlet*, shall be extended above the roof.
- 3) A *vent pipe* may be erected outside a *building*, provided that
 - a) no single change in direction of the *vent pipe* exceeds 45°,
 - b) all parts of the *vent pipe* are *nominally vertical*,
 - c) in areas where the *vent pipe* may be subject to frost closure, it is increased to not less than 3 inches in *size* before penetrating a wall or roof, and
 - d) where the *building* is 4 *storeys* or less in height, the *vent pipe* terminates above the roof of the *building*.
- 4) Except for a *fresh air inlet*, where a *vent pipe* is terminated in outside air, the terminal shall be located
 - a) not less than 1 m above or not less than 3.5 m in any other direction from every air inlet, openable window or door,
 - b) not less than 2 m above or not less than 3.5 m in any other direction from a roof that supports an *occupancy*,
 - c) not less than 2 m above ground, and
 - d) not less than 1.8 m from every property line.
 (See Appendix A.)
- 5) Where a *vent pipe* passes through a roof, it shall
 - a) be terminated high enough to prevent the entry of roof drainage but not less than 150 mm above the roof or above the surface of *storm water*, which could pond on the roof (see A-2.5.6.5.(4) in Appendix A), and
 - b) be provided with flashing to prevent the entry of water between the *vent pipe* and the roof (see Article 2.2.10.14.).
- 6) Where a *vent pipe* passes through a roof and may be subject to frost closure, it shall be protected from frost closure by
 - a) increasing its diameter at least one *size*, but not less than 3 inches in *size*, immediately before it penetrates the roof,
 - b) insulating the pipe, or
 - c) protecting it in some other manner.
 (See Article 2.3.4.7.)

Copyright © NRC 1941 - 2019 World Rights Reserved © CNRC 1941-2019 Droits réservés pour tous pays

2.5.7.1.

2.5.7. Minimum Size of Vent Pipes

2.5.7.1. General

- 1) The *size* of every *vent pipe* shall conform to Table 2.5.7.1.

Table 2.5.7.1.
Minimum Permitted Size of Vent Pipe Based on Size of Trap Served
 Forming Part of Sentences 2.5.7.1.(1) and 2.5.8.2.(1)

<i>Size of Trap Served, inches</i>	<i>Minimum Size of Vent Pipe, inches</i>
1¼	1¼
1½	1¼
2	1½
3	1½
4	1½
5	2
6	2

2.5.7.2. Size Restriction

- 1) The *size* of a *branch vent*, *stack vent*, *vent stack* or *vent header* shall be not less than the *size* of the *vent pipe* to which it is connected.

2.5.7.3. Additional Circuit Vents and Relief Vents

- 1) Except as provided in Article 2.5.7.1. and in Sentence 2.5.3.1.(7), the minimum *size* of an *additional circuit vent* or *relief vent* installed in conjunction with a *circuit vent* is permitted to be one *size* smaller than the required *size* of the *circuit vent*, but need not be larger than 2 inches.

- 2) The *size* of the *soil-or-waste pipe* acting as a *relief vent* in accordance with Sentence 2.5.3.1.(4) shall be in conformance with Tables 2.5.8.3. or 2.5.8.4. or Article 2.5.7.1., whichever *size* is the largest considering the hydraulic load drained into the *soil-or-waste pipe*.

2.5.7.4. Offset Relief Vents

- 1) Except as provided in Article 2.5.7.1., the minimum *size* of an *offset relief vent* is permitted to be one *size* smaller than the *size* of the *stack vent*.

2.5.7.5. Yoke Vents

- 1) *Yoke vents* required by Sentence 2.5.4.3.(1) are permitted to be one *size* smaller than the *size* of the smallest pipe to which they are connected.

2.5.7.6. Vent Pipes for Manholes

- 1) The minimum *size* of a *vent pipe* that serves a manhole within a *building* shall be 2 inches.

2.5.7.7. Vents for Sewage Sumps, Dilution Tanks and Macerating Toilet Systems

- 1) Except as provided in Sentences (2) and (3), the minimum *size* of the *vent pipe* for a *sewage sump* or *dilution tank* shall be one *size* smaller than the *size* of the largest *branch* or *fixture drain* draining to the sump.

- 2) The *size* of every *vent pipe* for a *sewage sump* or *dilution tank* shall be not less than 2 inches, but need not be greater than 4 inches.

3) The size of a *vent pipe* for a macerating toilet system with a sump shall be not less than 1 1/2 inches.

2.5.8. Sizing of Vent Pipes

(See Appendix A for an explanation on the sizing of *vent pipes*.)

2.5.8.1. Hydraulic Loads Draining to Wet Vents

1) The hydraulic load that drains to a *wet vent* shall conform to Table 2.5.8.1.

2) When determining the size of a *wet vent*, the hydraulic load from the most downstream *fixture* or symmetrically connected *fixtures* shall not be included. (See Appendix A.)

Table 2.5.8.1.
Maximum Permitted Hydraulic Loads Drained to a Wet Vent
 Forming Part of Sentence 2.5.8.1.(1)

Size of <i>Wet Vent</i> , inches	Maximum Hydraulic Load, <i>fixture units</i>	
	Not Serving Water Closets	<i>Fixtures</i> , Other Than Water Closets, That Serve Not More Than 2 Water Closets
1½	2	—
2	4	3
3	12	8
4	36	14
5	—	18
6	—	23

2.5.8.2. Individual Vents and Dual Vents

1) The size of *individual vents* and *dual vents* shall be determined using Table 2.5.7.1. based on the largest *trap* served.

2) When sizing an *individual vent* or a *dual vent*, the length is not taken into consideration.

2.5.8.3. Branch Vents, Vent Headers, Continuous Vents and Circuit Vents

(See A-2.5.8.3. and 2.5.8.4. in Appendix A.)

1) *Branch vents*, *vent headers*, *circuit vents* and *continuous vents* shall be sized in accordance with Table 2.5.8.3.

2) For the purposes of Table 2.5.8.3., the length of a *branch vent* shall be its *developed length* from the most distant *soil-or-waste pipe* connection to a *vent stack*, *stack vent*, *vent header* or outside air.

3) For the purposes of Table 2.5.8.3., the length of a *vent header* shall be its *developed length* from the most distant *soil-or-waste pipe* connection to outside air.

4) For the purposes of Table 2.5.8.3., the length of a *circuit vent* shall be its *developed length* from the horizontal *soil-or-waste pipe* connection to a *vent stack*, *stack vent*, *vent header* or outside air.

5) For the purposes of Table 2.5.8.3., the length of a *continuous vent* shall be its *developed length* from the vertical *soil-or-waste pipe* connection to a *vent stack*, *stack vent*, *vent header* or outside air.

Table 2.5.8.3.
Sizing of Branch Vents, Vent Headers, Circuit Vents and Continuous Vents
 Forming Part of Article 2.5.8.3.

Total Hydraulic Load Served by Vent Pipe, fixture units	Size of Vent Pipe, inches							
	1¼	1½	2	3	4	5	6	8
	Maximum Length of Vent Pipe, m							
2	9							
8	9	30	61					
20	7.5	15	46			Not Limited		
24	4.5	9	30					
42		9	30					
60		4.5	15	120				
100			11	79	305			
200			9	76	275			
500			6	55	215			
1100				15	61	215		
1900				6	21	61	215	
2200		Not Permitted			9	27	105	335
3600					7.5	18	76	245
5600						7.5	18	76

2.5.8.4. Vent Stacks or Stack Vents

(See A-2.5.8.3. and 2.5.8.4. in Appendix A.)

- 1)** A vent stack or stack vent shall be sized in accordance with Table 2.5.8.4. based on
 - a) the length of the vent stack or stack vent, and
 - b) the total hydraulic load that is drained to the lowest section of soil-or-waste stack or stacks served by the vent pipe, plus any additional vent loads connected to the vent stack or stack vent.
- 2)** For the purposes of Table 2.5.8.4., the length of a stack vent or vent stack shall be its developed length from its lower end to outside air.
- 3)** The minimum size of a vent stack or stack vent shall be one-half the size of the soil-or-waste stack at its base.
- 4)** A stack vent serving a wet vent stack that is over 4 storeys high shall extend the full size of the wet vent to outside air.
- 5)** Every building drain shall be provided with at least one vent that is not less than 3 inches in size.

Copyright © NRC 1941 - 2019 World Rights Reserved © CNRC 1941-2019 Droits réservés pour tous pays

Table 2.5.8.4.
Size and Developed Length of Stack Vents and Vent Stacks
 Forming Part of Sentences 2.5.8.4.(1) and (2)

Size of Soil-or-waste stack, inches	Total Hydraulic Load Being Vented, fixture units	Size of Stack Vent or Vent Stack, inches									
		1¼	1½	2	3	4	5	6	8	10	12
		Maximum Length of Stack Vent or Vent Stack, m									
1¼	2	9									
1½	8	15	46								
	10	9	30.5								
2	12	9	23	61							
	20	8	15	46							
3	10		13	46	317						
	21		10	33.5	247					Not Limited	
	53		8	28.5	207						
	102		7.5	26	189						
4	43			10.5	76	299					
	140			8	61	229					
	320			7	52	195					
	540			6.5	46	177					
5	190				25	97.5	302				
	490				19	76	232				
	940				16	64	204				
	1400				15	58	180				
6	500				10	39.5	122	305			
	1100				8	30.5	94.5	238			
	2000				6.5	25.5	79	201			
	2900				6	23.5	73	183			
8	1800					9.5	29	73	287		
	3400					7	22	58	219.5		
	5600					6	19	49	186		
	7600					5.5	17	43	170.5		
10	4000					9.5	24	94.5	292.5		
	7200					7	18	73	225.5		
	11000					6	15.5	61	192		
	15000					5.5	14	55	174		
12	7300					9.5	36.5	116	287		
	13000					7	28.5	91	219.5		
	20000			Not Permitted		6	24	76	186		
	26000					5.5	22	70	152		
15	15000							12	39.5	94.5	
	25000							9.5	29	73	
	38000							8	24.5	61	
	50000							7	22.5	55	

Copyright © NRC 1941 - 2019 World Rights Reserved © CNRC 1941-2019 Droits réservés pour tous pays

2.5.8.5.**2.5.8.5. Lengths of Other Vent Pipes**

1) When sizing an *additional circuit vent, offset relief vent, relief vent, yoke vent*, and the *vent pipe* for an *interceptor, dilution tank, sewage tank, sump, or manhole*, length is not taken into consideration.

2.5.9. Air Admittance Valves

(See A-2.2.10.16.(1) in Appendix A.)

2.5.9.1. Air Admittance Valve as a Vent Terminal

1) *Individual vents* may terminate with a connection to an *air admittance valve* as provided in Articles 2.5.9.2. and 2.5.9.3. (See also Sentence 2.2.10.16.(1).)

2.5.9.2. Air Admittance Valves

- 1) *Air admittance valves* shall only be used to vent
 - a) *fixtures* located in island counters,
 - b) *fixtures* that may be affected by frost closure of the vent due to local climatic conditions,
 - c) *fixtures* in one- and two-family dwellings undergoing renovation, or
 - d) installations where connection to a vent may not be practical.
- 2) *Air admittance valves* shall be located
 - a) not less than 100 mm above the horizontal *branch drain* or *fixture drain* being vented,
 - b) within the maximum *developed length* permitted for the vent, and
 - c) not less than 150 mm above insulation materials.

2.5.9.3. Installation Conditions

- 1) *Air admittance valves* shall not be installed in supply or return air plenums, or in locations where they may be exposed to freezing temperatures.
- 2) *Air admittance valves* shall be installed in accordance with the manufacturer's installation instructions.
- 3) *Air admittance valves* shall be rated for the *size of vent pipe* to which they are connected.
- 4) Installed *air admittance valves* shall be
 - a) accessible, and
 - b) located in a space that allows air to enter the valve.
- 5) Every *drainage system* shall have one vent that terminates to the outdoors in conformance with Sentence 2.5.6.2.(1).

Section 2.6. Potable Water Systems**2.6.1. Arrangement of Piping****2.6.1.1. Design, Fabrication and Installation**

- 1) *Potable water systems* shall be designed, fabricated and installed in accordance with good engineering practice, such as that described in the ASHRAE Guide and Data Books, the ASHRAE Handbooks and ASPE Data Books. (See Appendix A.)
- 2) Every *fixture* supplied with separate hot and cold water controls shall have the hot water control on the left and the cold on the right.
- 3) In a hot *water distribution system* of a *developed length* of more than 30 m or supplying more than 4 *storeys*, the water temperature shall be maintained by
 - a) recirculation, or
 - b) a self-regulating heat tracing system.

2.6.1.2. Drainage

1) A *water distribution system* shall be installed so that the system can be drained or blown out with air.

2.6.1.3. Shut-off Valves

1) Every *water service pipe* shall be provided with an accessible shut-off valve located as close as possible to where the *water service pipe* enters the *building*.

2) Every pipe that conveys water from a gravity water tank or from a *private water supply system* shall be fitted with a shut-off valve at the source of supply.

3) Except for *risers* that serve only one *dwelling unit*, every *riser* shall be provided with a shut-off valve located at the source of supply.

4) Every water closet shall be provided with a shut-off valve on its water supply pipe.

5) In *buildings* of residential *occupancy* that contain more than one *dwelling unit*, a shut-off valve shall be installed where the water supply enters each *dwelling unit*, so that, when the water supply to one *suite* is shut off, the water supply to the remainder of the *building* is not interrupted. (See Appendix A.)

6) In *buildings* of other than residential *occupancy*, shut-off valves shall be provided on the water supply to

- a) every *fixture*, or
- b) any group of *fixtures* in the same room, except as provided in Sentence (4).

7) Every pipe that supplies water to a hot water tank shall be provided with a shut-off valve located close to the tank.

2.6.1.4. Protection for Exterior Water Supply

1) Every pipe that passes through an exterior wall to supply water to the exterior of the *building* shall be provided with

- a) a frost-proof hydrant, or
- b) a stop-and-waste cock located inside the *building* and close to the wall.

2.6.1.5. Check Valves

1) A *check valve* shall be installed at the *building* end of a *water service pipe* where the pipe is made of plastic that is suitable for cold water use only.

2.6.1.6. Flushing Devices

1) Every flushing device that serves a water closet or one or more urinals shall have sufficient capacity and be adjusted to deliver at each operation a volume of water that will thoroughly flush the *fixture* or *fixtures* that it serves.

2) Where a manually operated flushing device is installed it shall serve only one *fixture*.

2.6.1.7. Relief Valves

1) In addition to the requirements in Sentence (2), every hot water tank of a *storage-type service water heater* shall be equipped with a pressure-relief valve

- a) designed to open when the water pressure in the tank reaches the rated working pressure of the tank, and
- b) so located that the pressure in the tank shall not exceed the pressure at the relief valve by more than 35 kPa under any condition of flow within the distribution system.

2) Every hot water tank of a *storage-type service water heater* shall be equipped with a temperature-relief valve with a temperature-sensing element

- a) located within the top 150 mm of the tank, and
- b) designed to open and discharge sufficient water from the tank to keep the temperature of the water in the tank from exceeding 99°C under all operating conditions.

3) A pressure-relief valve and temperature-relief valve may be combined where Sentences (1) and (2) are complied with.

- 4)** Every *indirect service water heater* shall be equipped with
- a) a pressure-relief valve, and
 - b) a temperature-relief valve on every storage tank that forms part of the system.

5) Every pipe that conveys water from a temperature-relief, pressure-relief or combined temperature- and pressure-relief valve shall

- a) be of a *size* at least equal to the *size* of the outlet of the valve,
- b) be rigid, slope downward from the valve, and terminate with an indirect connection above a floor drain, sump, or other safe location, with an *air break* of not more than 300 mm,
- c) have no thread at its outlet, and
- d) be capable of operating at a temperature of not less than 99°C.

(See Appendix A.)

6) The temperature-relief valve required in Clause (4)(b) shall

- a) have a temperature-sensing element located within the top 150 mm of the tank, and
- b) be designed to open and discharge sufficient water to keep the temperature of the water in the tank from exceeding 99°C under all operating conditions.

7) No shut-off valve shall be installed on the pipe between any tank and the relief valves or on the discharge lines from such relief valves.

8) A vacuum-relief valve shall be installed when any tank may be subject to *back-siphonage*.

9) A *storage-type service water heater* that is located in a ceiling or roof space, or over a floor of wood construction, shall be installed within a corrosion-resistant watertight drain pan, as described in Sentence (10).

10) The drain pan shall

- a) be not less than 50 mm larger than the tank and have side walls not less than 25 mm high,
- b) be drained by a pipe two *sizes* larger than the relief valve discharge pipe, and
- c) have a drain that is located directly under the relief valve discharge pipe and that discharges directly to a floor drain or other acceptable location.

2.6.1.8. Solar Domestic Hot Water Systems

1) Systems for solar heating of *potable* water shall be installed in conformance with CAN/CSA-F383, "Installation Code for Solar Domestic Hot Water Systems."

2.6.1.9. Water Hammer

1) Provision shall be made to protect the *water distribution system* from the adverse effects of water hammer. (See Appendix A.)

2.6.1.10. Mobile Home Water Service

1) A *water service pipe* intended to serve a mobile home shall

- a) be not less than 3/4 inch in *size*,
- b) terminate above ground, and
- c) be provided with
 - i) a tamperproof terminal connection that is capable of being repeatedly connected, disconnected and sealed,
 - ii) a protective concrete pad,
 - iii) a means to protect it from frost heave, and
 - iv) a curb stop and a means of draining that part of the pipe located above the frost line when not in use.

2.6.1.11. Thermal Expansion

1) Protection against thermal expansion shall be required when a *check valve* is required by Article 2.6.1.5., a *backflow preventer* by Article 2.6.2.6., or a pressure-reducing valve by Article 2.6.3.3. (See Appendix A.)

2.6.1.12. Service Water Heaters ★

1) Thermostat controls for electric *storage-type service water heaters* shall be set at a temperature of 60°C. (See Appendix A.)

2.6.2. Protection from Contamination**2.6.2.1. Connection of Systems**

1) Except as provided in Sentence (2), connections to *potable water systems* shall be designed and installed so that non-*potable* water or substances that may render the water non-*potable* cannot enter the system.

2) A water treatment device or apparatus shall not be installed unless it can be demonstrated that the device or apparatus will not introduce substances into the system that may endanger health.

3) *Backflow preventers* shall be selected and installed in conformance with CAN/CSA-B64.10, "Manual for the Selection and Installation of Backflow Prevention Devices." (See Appendix A.)

2.6.2.2. Back-Siphonage

1) *Potable* water connections to *fixtures*, tanks, vats or other devices not subject to pressure above atmospheric and containing other than *potable* water shall be installed so as to prevent *back-siphonage* in conformance with Sentence (2).

2) Except as provided in Sentence 2.6.2.10.(2), *back-siphonage* shall be prevented by the installation of

- a) an *air gap*,
- b) an atmospheric *vacuum breaker*,
- c) a pressure *vacuum breaker*,
- d) a hose connection *vacuum breaker*,
- e) a dual *check valve backflow preventer* with atmospheric port,
- f) a double *check valve* assembly,
- g) a reduced pressure principle *backflow preventer* ,
- h) a dual *check valve backflow preventer*,
- i) a laboratory faucet type *vacuum breaker*, or
- j) a dual *check valve backflow preventer* with vent.

2.6.2.3. Backflow Caused by Back Pressure

1) *Potable* water connections to *fixtures*, tanks, vats, boilers or other devices containing other than *potable* water and subject to pressure above atmospheric shall be arranged to prevent *backflow* caused by *back pressure* in conformance with Sentences (2) and (3).

2) Except as provided in Article 2.6.2.4., *backflow* caused by *back pressure* of non-toxic substances into a *potable water system* shall be prevented by the installation of

- a) an *air gap*,
- b) a dual *check valve backflow preventer* with atmospheric port,
- c) a dual *check valve backflow preventer*,
- d) a dual *check valve backflow preventer* with vent,
- e) a double *check valve* assembly, or
- f) a reduced pressure principle *backflow preventer*.

3) *Backflow* caused by *back pressure* of toxic substances into a *potable water system* shall be prevented by the installation of

- a) an *air gap*, or
- b) a reduced pressure principle *backflow preventer*.

2.6.2.4. Backflow from Fire Protection Systems

1) A backflow preventer shall not be required in residential full flow-through fire sprinkler/standpipe systems in which the pipes and fittings are constructed of potable water system materials.

2) Except as required by Sentence (4), potable water system connections to fire sprinkler and standpipe systems shall be protected against backflow caused by back-siphonage or back pressure in conformance with Clauses (a) to (f):

- a) residential partial flow-through fire sprinkler/standpipe systems in which the pipes and fittings are constructed of potable water system materials shall be protected by a dual check valve backflow preventer conforming to CAN/CSA-B64.6.1, "Backflow Preventers, Dual Check Valve Type for Fire Systems (DuCF),"
- b) Class 1 fire sprinkler/standpipe systems shall be protected by a single check valve backflow preventer conforming to CAN/CSA-B64.9, "Backflow Preventers, Single Check Valve Type for Fire Systems (SCVAF)," provided that the systems do not use antifreeze or other additives of any kind and that all pipes and fittings are constructed of potable water system materials,
- c) Class 1 fire sprinkler/standpipe systems not covered by Clause (b) as well as Class 2 and Class 3 fire sprinkler/standpipe systems shall be protected by a double check valve backflow preventer conforming to CAN/CSA-B64.5.1, "Backflow Preventers, Double Check Valve Type for Fire Systems (DCVAF)," provided that the systems do not use antifreeze or other additives of any kind,
- d) Class 1, Class 2 and Class 3 fire sprinkler/standpipe systems in which antifreeze or other additives are used shall be protected by a reduced pressure principle backflow preventer conforming to CAN/CSA-B64.4.1, "Backflow Preventers, Reduced Pressure Principle Type for Fire Systems (RPF)," installed on the portion of the system that uses the additives and the balance of the system shall be protected as required by Clauses (b) or (c),
- e) Class 4 and Class 5 fire sprinkler/standpipe systems shall be protected by a reduced pressure principle backflow preventer conforming to CAN/CSA-B64.4.1, "Backflow Preventers, Reduced Pressure Principle Type for Fire Systems (RPF)," or
- f) Class 6 fire sprinkler/standpipe systems shall be protected
 - i) by a double check valve backflow preventer conforming to CAN/CSA-B64.5.1, "Backflow Preventers, Double Check Valve Type for Fire Systems (DCVAF)," or
 - ii) where a potentially severe health hazard may be caused by backflow, by a reduced pressure principle backflow preventer conforming to CAN/CSA-B64.4.1, "Backflow Preventers, Reduced Pressure Principle Type for Fire Systems (RPF)."

(See Appendix A.)

3) Backflow preventers required by Sentence (2) shall be installed upstream of the fire department pumper connection. (See Appendix A.)

4) Where a reduced pressure principle backflow preventer is required on a water service pipe at a fire service connection located on the same premises as the fire service pipe in Class 3, 4, 5 and 6 fire sprinkler/standpipe systems, a reduced pressure principle backflow preventer conforming to CAN/CSA-B64.4.1, "Backflow Preventers, Reduced Pressure Principle Type for Fire Systems (RPF)," shall also be required on the fire service connection.

2.6.2.5. Separation of Water Supply Systems

1) No private water supply system shall be interconnected with a public water supply system.

2.6.2.6. Premise Isolation

1) In addition to the *backflow preventer* required by this Subsection for *buildings* or facilities where a potentially severe health hazard may be caused by *backflow*, the *potable water system* shall be provided with premise isolation by the installation of a reduced pressure principle *backflow preventer*. (See Appendix A.)

2.6.2.7. Hose Bibb

1) Where a hose bibb is installed outside a *building*, inside a garage or in an area where there is an identifiable risk of contamination, the *potable water system* shall be protected against *backflow* through the hose bibb.

2.6.2.8. Cleaning of Systems

1) A newly installed part of a *potable water system* shall be cleaned and then flushed with *potable water* before the system is put into operation.

2.6.2.9. Air Gap

1) An *air gap* shall not be located in a noxious environment.

2) Every *air gap* shall be not less than 25 mm high and at least twice the diameter of the opening of the water supply outlet in height.
(See Appendix A.)

2.6.2.10. Vacuum Breakers

1) Where the *critical level* is not marked on an atmospheric *vacuum breaker* or pressure *vacuum breaker*, the *critical level* shall be taken as the lowest point on the device.

2) Where an atmospheric *vacuum breaker* is installed, it shall be located on the downstream side of the *fixture* control valve or faucet so that it will be subject to water supply pressure

- a) only when the valve or faucet is open, and
- b) for periods of continuous use not exceeding 12 h.

(See Appendix A.)

3) An atmospheric *vacuum breaker* shall be installed so that the *critical level* is at least the distance specified by the manufacturer at which the device will operate safely but not less than 25 mm above

- a) the *flood level rim* of a *fixture* or tank, or
- b) the highest point open to atmosphere in an irrigation system.

4) A pressure *vacuum breaker* shall be installed so that the *critical level* is not less than 300 mm above

- a) the *flood level rim* of a *fixture* or tank, or
- b) the highest point open to atmosphere in an irrigation system.

2.6.2.11. Tank-Type Water Closets

1) Tank-type water closets shall be provided with a *back-siphonage preventer* in conformance with Sentence 2.2.10.10.(2).

2.6.2.12. Backflow Preventers

1) No bypass piping or other device capable of reducing the effectiveness of a *backflow preventer* shall be installed in a water supply system.

2.6.3. Size and Capacity of Pipes

(See Appendix A.)

2.6.3.1. Design

1) Every *water distribution system* shall be designed to provide peak demand flow when the flow pressures at the supply openings conform to Table 2.6.3.1.

Table 2.6.3.1.
Sizing of Water Distribution Systems ◇
 Forming Part of Sentences 2.6.3.1.(1), 2.6.3.2.(1), (2) and (3), and 2.6.3.4.(2)

Fixture or Device	Minimum Size of Supply Pipe, inches	Minimum Flow Pressure, ⁽¹⁾ kPa (gauge)	Hydraulic Load, <i>fixture units</i>	
			Private Use	Public Use
<i>Bathroom group</i>				
(a) with flush tank	n/a	n/a	6	—
(b) with direct flush valve	n/a	n/a	8	—
Bathtub (with or without shower)	1/2	50	2	4
Clothes washer	1/2	100	3	—
Dishwasher, domestic	1/2	100	3	—
Drinking fountain	3/8	100	1/2	1
Hose bibb	1/2	100	⁽²⁾	⁽²⁾
Lavatory	3/8	50	1	2
Sink				
(a) kitchen, domestic	1/2	50	2	—
(b) kitchen, commercial	1/2	50	—	4
(c) service	1/2	50	—	3
(d) service with direct flush valve	3/4	100	—	5
Shower head	1/2	50	2	4
Urinal				
(a) with flush tank	1/2	50	—	3
(b) with direct flush valve	3/4	100	—	5
(c) with self-closing metering valve	1/2	—	—	—
Water Closet				
(a) with flush tank	3/8	50	3	5
(b) with direct flush valve	1	100	6	10

Notes to Table 2.6.3.1.:

⁽¹⁾ Measured immediately upstream of faucet or supply valve.

⁽²⁾ A continuous load of 0.38 L/s.

2.6.3.2. Hydraulic Load

1) Except as provided in Sentence (3), the hydraulic load of a *fixture* or device that is listed in Table 2.6.3.1. shall be the number of *fixture units* given in the Table.

2) Except as provided in Sentences (1) and (3), the hydraulic load of a *fixture* that is not listed in Table 2.6.3.1. is the number of *fixture units* listed in Table 2.6.3.2.

Table 2.6.3.2.
Hydraulic Loads of Fixtures Not Listed in Table 2.6.3.1.
 Forming Part of Sentences 2.6.3.2.(2) and (3)

Size of Supply Pipe, inches	Hydraulic Load, <i>fixture units</i>	
	<i>Private Use</i>	<i>Public Use</i>
3/8	1	2
1/2	2	4
3/4	3	6
1	6	10

3) Where *fixtures* are supplied with both hot and cold water, the hydraulic loads for maximum separate demands shall be 75% of the hydraulic load of the *fixture units* given in Tables 2.6.3.1. and 2.6.3.2. when using a detailed engineering design method.

2.6.3.3. Static Pressure

1) Where the static pressure at any *fixture* may exceed 550 kPa, a pressure-reducing valve shall be installed to limit the maximum static pressure at the *fixture* to 550 kPa.

2.6.3.4. Size

1) Every *water service pipe* shall be sized according to the peak demand flow but shall not be less than 3/4 inch *size*.

2) Except as provided in Sentence (3), the *size* of a pipe that supplies a *fixture* or device shall conform to Table 2.6.3.1.

3) A tail piece or connector not more than 750 mm long and not less than 0.25 inch inside diameter may be used to supply water to a *fixture*.

Section 2.7. Non-Potable Water Systems

2.7.1. Connection

2.7.1.1. Not Permitted

1) A *non-potable water system* shall not be connected to a *potable water system*.

2.7.2. Identification

2.7.2.1. Markings Required

1) *Non-potable* water piping shall be identified by markings that are permanent, distinct and easily recognized.

2.7.3. Location

2.7.3.1. Pipes

- 1)** *Non-potable* water piping shall not be located
 - a) where food is prepared in a food-processing plant,
 - b) above food-handling equipment,
 - c) above a non-pressurized *potable* water tank, or
 - d) above a cover of a pressurized *potable* water tank.

2.7.3.2. Outlets

- 1)** An outlet from a non-potable water system shall not be located where it can discharge into
- a sink or lavatory,
 - a fixture into which an outlet from a potable water system is discharged, or
 - a fixture that is used for the preparation, handling or dispensing of food, drink or products that are intended for human consumption.
- (See Appendix A.)

Section 2.8. Objectives and Functional Statements**2.8.1. Objectives and Functional Statements****2.8.1.1. Attribution to Acceptable Solutions**

- 1)** For the purposes of compliance with this Code as required in Clause 1.2.1.1.(1)(b) of Division A, the objectives and functional statements attributed to the acceptable solutions in this Part shall be the objectives and functional statements listed in Table 2.8.1.1. (See A-1.1.2.1.(1) in Appendix A.)

Table 2.8.1.1.
Objectives and Functional Statements Attributed to the Acceptable Solutions in Part 2 ♦ ★
 Forming Part of Sentence 2.8.1.1.(1)

Acceptable Solutions	Objectives and Functional Statements ⁽¹⁾
2.1.2.1. Sanitary Drainage Systems	
(1)	[F72–OH2.1]
(2)	[F72–OH2.1]
	[F72–OP5]
2.1.2.2. Storm Drainage Systems	
(1)	[F72–OP5]
2.1.2.3. Water Distribution Systems	
(1)	[F46–OH2.2]
2.1.2.4. Separate Services	
(1)	[F71–OH2.1,OH2.3] [F70–OH2.1]
2.1.3.1. Lighting and Ventilation Requirements	
(1)	[F30–OS3.1] Applies to the requirement for lighting.
	[F40–OH1.1] Applies to the requirement for ventilation.
2.1.3.2. Accessibility	
(1)	[F82–OH2.1,OH2.2,OH2.3,OH2.4] Applies to the need for maintenance.
	[F40–OH2.1] [F41–OH2.4] [F71–OH2.3]
	[F71–OH2.3] [F81–OH2.4]
	[F81–OP5]
2.2.1.1. Exposure of Materials	
(1)	[F80–OH2.1,OH2.2,OH2.3,OH2.4]
	[F80–OP5]

Table 2.8.1.1. (Continued)

Acceptable Solutions	Objectives and Functional Statements ⁽¹⁾
(2)	[F80–OH2.1]
	[F80–OP5]
2.2.1.2. Restrictions on Re-Use	
(1)	[F70–OH2.2]
2.2.1.5. Withstanding Pressure	
(1)	[F20–OP5]
	[F20,F81–OH2.1,OH2.3] [F46–OH2.2]
2.2.1.6. Working Pressure of a Water Service Pipe	
(1)	[F20–OP5]
	[F20,F81–OH2.3]
2.2.2.1. Surface Requirements	
(1)	[F41–OH2.4]
2.2.2.2. Conformance to Standards	
(1)	[F80–OH2.1,OH2.4]
	[F80–OS3.1]
(2)	[F80–OH2.1,OH2.4]
	[F80–OS3.1]
(3)	[F80–OH2.1,OH2.4]
	[F80–OS3.1]
(4)	[F80–OH2.1,OH2.4]
	[F80–OS3.1]
(5)	[F80–OH2.1,OH2.4]
	[F80–OS3.1]
(6)	[F80–OH2.1,OH2.4]
	[F80–OS3.1]
(7)	[F71–OS3.1]
	[F80,F41–OH2.1,OH2.4]
(8)	[F71–OH2.3]
2.2.2.3. Showers	
(1)	[F80–OH2.1]
	[F80–OP5]
(2)	[F40–OP5]
	[F80–OH2.1]
(3)	[F45–OH2.1]
(4)	[F45–OH2.1]

Table 2.8.1.1. (Continued)

Acceptable Solutions	Objectives and Functional Statements ⁽¹⁾
2.2.2.4. Concealed Overflows	
(1)	[F41,F81–OH2.1,OH2.4]
2.2.2.5. Water Closets in Public Washrooms	
(1)	[F45–OH2.4]
2.2.3.1. Traps	
(1)	[F81,F40–OH1.1]
(2)	[F81–OH1.1]
(3)	[F81–OH2.1,OH2.3,OH2.4]
	[F81–OP5]
(4)	[F81–OH1.1]
(5)	[F81–OH1.1]
2.2.3.2. Interceptors	
(1)	[F81–OH2.1,OH2.3,OH2.4]
(2)	[F81–OH2.1,OH2.3,OH2.4] [F46–OH2.2]
2.2.3.3. Tubular Traps	
(1)	[F82–OH2.1,OH2.4]
	[F82–OP5]
2.2.4.1. T and Cross Fittings	
(1)	[F81–OH2.1,OH2.4]
(2)	[F81–OH2.1,OH2.4]
2.2.4.2. Sanitary T Fittings	
(1)	[F81–OH2.1,OH2.4]
(2)	[F81–OH2.1,OH2.4]
	[F81–OP5]
2.2.4.3. 90° Elbows	
(1)	[F81–OH2.1,OH2.4]
(2)	[F81–OH2.1,OH2.4]
2.2.5.1. Asbestos-Cement Drainage Pipe and Fittings	
(1)	[F20–OH2.1,OH2.4]
(2)	[F20–OH2.1,OH2.4]
2.2.5.2. Asbestos-Cement Water Pipe and Fittings	
(1)	[F20–OH2.1,OH2.2,OH2.3]
	[F20–OP5]
(2)	[F20–OP5]
2.2.5.3. Concrete Pipe and Fittings	
(1)	[F20–OH2.1]

Table 2.8.1.1. (Continued)

Acceptable Solutions	Objectives and Functional Statements ⁽¹⁾
(2)	[F20–OH2.1]
(3)	[F20–OH2.1]
(4)	[F20–OH2.1]
(5)	[F20–OH2.1]
2.2.5.4. Vitrified Clay Pipe and Fittings	
(1)	[F20–OH2.1]
(2)	[F20–OH2.1]
(3)	[F20–OH2.1]
2.2.5.5. Polyethylene Pipe and Fittings	
(1)	[F20–OH2.1,OH2.2,OH2.3]
	[F20–OP5]
(2)	[F20–OP5]
(3)	[F20–OP5]
2.2.5.6. Polyethylene Pipe Used Underground	
(1)	[F72–OH2.1,OH2.3.]
2.2.5.7. Crosslinked Polyethylene Pipe and Fittings	
(1)	[F20–OH2.2]
	[F20–OP5]
2.2.5.8. PVC Pipe and Fittings	
(1)	[F20–OH2.1,OH2.2,OH2.3]
	[F20–OP5]
(2)	[F20–OH2.1,OH2.2,OH2.3]
	[F20–OP5]
(3)	[F20–OH2.1,OH2.2,OH2.3]
	[F20–OP5]
(4)	[F20–OP5]
2.2.5.9. CPVC Pipe, Fittings and Solvent Cements	
(1)	[F20–OH2.2,OH2.3.,OH2.4]
	[F20–OP5]
(2)	[F20–OP5]
2.2.5.10. Plastic Pipe, Fittings and Solvent Cement Used Underground	
(1)	[F20,F80–OH2.1,OH2.3]
2.2.5.11. Transition Solvent Cement	
(1)	[F20–OH2.1,OH2.3]
(2)	[F20–OH2.1,OH2.3]

Table 2.8.1.1. (Continued)

Acceptable Solutions	Objectives and Functional Statements ⁽¹⁾
2.2.5.12. Plastic Pipe, Fittings and Solvent Cement Used in Buildings	
(1)	[F20–OH2.1,OH2.3]
2.2.5.13. Polyethylene/Aluminum/Polyethylene Composite Pipe and Fittings	
(1)	[F20–OH2.1,OH2.2,OH2.3]
	[F20–OP5]
(2)	[F20–OP5]
	[F20–OH2.1,OH2.2,OH2.3]
(3)	[F20–OH2.1,OH2.2,OH2.3]
	[F20–OP5]
(4)	[F20–OH2.1,OH2.2,OH2.3]
	[F20–OP5]
2.2.5.14. Crosslinked Polyethylene/Aluminum/Crosslinked Polyethylene Composite Pressure Pipe and Fittings	
(1)	[F20–OH2.1,OH2.2,OH2.3]
	[F20–OP5]
2.2.5.15. Polypropylene Pipe and Fittings	
(1)	[F20–OH2.1,OH2.2,OH2.3]
	[F20–OP5]
2.2.6.1. Cast-Iron Drainage and Vent Pipe and Fittings	
(1)	[F20–OH2.1,OH2.3]
(2)	[F20–OH2.2]
2.2.6.2. Cast-Iron Fittings for Asbestos-Cement Drainage Pipe	
(1)	[F20–OH2.1,OH2.3]
2.2.6.3. Threaded Cast-Iron Drainage Fittings	
(1)	[F20–OH2.1,OH2.3]
(2)	[F20–OP5]
2.2.6.4. Cast-Iron Water Pipes	
(1)	[F20–OH2.1,OH2.2,OH2.3]
	[F20–OP5]
(2)	[F80–OH2.2]
(3)	[F20–OP5]
(4)	[F20–OP5]
2.2.6.5. Screwed Cast-Iron Water Fittings	
(1)	[F20–OP5]
(2)	[F80–OH2.2]
(3)	[F81–OH2.1,OH2.3]

Table 2.8.1.1. (Continued)

Acceptable Solutions	Objectives and Functional Statements ⁽¹⁾
2.2.6.6. Screwed Malleable Iron Water Fittings	
(1)	[F81–OP5]
(2)	[F80–OH2.2]
(3)	[F81–OH2.1,OH2.3]
2.2.6.7. Steel Pipe	
(1)	[F80–OH2.1,OH2.3] [F46–OH2.2]
(2)	[F80–OH2.1,OH2.3]
(3)	[F46–OH2.2]
(4)	[F80–OH2.1,OH2.3]
	[F80–OP5]
2.2.6.8. Corrugated Steel Pipe and Couplings	
(1)	[F80–OP5]
(2)	[F81–OP5]
(3)	[F81–OP5]
2.2.6.9. Sheet Metal Leaders	
(1)	[F80–OP5]
2.2.7.1. Copper and Brass Pipe	
(1)	[F80–OH2.1,OH2.3] Applies to <i>drainage systems</i> and <i>venting systems</i> . [F46–OH2.2] Applies to <i>water systems</i> .
	[F80–OP5]
(2)	[F80–OH2.1,OH2.3] Applies to <i>drainage systems</i> and <i>venting systems</i> . [F46–OH2.2] Applies to <i>water systems</i> .
	[F80–OP5]
2.2.7.2. Brass or Bronze Pipe Flanges and Flanged Fittings	
(1)	[F80–OH2.1,OH2.3] Applies to <i>drainage systems</i> and <i>venting systems</i> . [F46–OH2.2] Applies to <i>water systems</i> .
	[F80–OP5]
2.2.7.3. Brass or Bronze Threaded Water Fittings	
(1)	[F80–OP5]
(2)	[F80–OH2.1,OH2.3]
2.2.7.4. Copper Tube	
(1)	[F80–OH2.1,OH2.3] Applies to <i>drainage systems</i> and <i>venting systems</i> . [F46–OH2.2] Applies to <i>water systems</i> .
	[F80–OP5]
(2)	[F80–OH2.1,OH2.2,OH2.3]
(3)	[F80–OH2.1,OH2.4]
2.2.7.5. Solder-Joint Drainage Fittings	
(1)	[F80–OH2.1,OH2.4]

Table 2.8.1.1. (Continued)

Acceptable Solutions	Objectives and Functional Statements ⁽¹⁾
(2)	[F20-OP5]
2.2.7.6. Solder-Joint Water Fittings	
(1)	[F20-OP5]
(2)	[F20-OP5]
2.2.7.7. Flared-Joint Fittings for Copper Water Systems	
(1)	[F20-OP5]
(2)	[F20-OP5]
2.2.7.8. Lead Waste Pipe and Fittings	
(1)	[F46,F20-OH2.2,OH2.3]
(2)	[F81-OH2.1,OH2.3,OH2.4]
2.2.8.1. Pipes and Fittings	
(1)	[F80,F81-OH2.1]
	[F80,F81-OS3.2,OS3.4]
2.2.9.1. Cement Mortar	
(1)	[F80-OH2.1,OH2.3]
	[F80-OP5]
2.2.9.2. Solders and Fluxes	
(1)	[F80-OH2.1,OH2.3]
	[F80-OP5]
(2)	[F46-OH2.2]
(3)	[F80-OH2.1,OH2.3]
(4)	[F20,F80-OP5]
(5)	[F20,F80-OP5]
2.2.10.1. Brass Floor Flanges	
(1)	[F80-OH2.1]
2.2.10.2. Screws, Bolts, Nuts and Washers	
(1)	[F80-OH2.1,OH2.3]
2.2.10.3. Cleanout Fittings	
(1)	[F80-OH2.1,OH2.3] Applies to <i>drainage systems</i> .
	[F46-OH2.2] Applies to <i>water systems</i> .
(2)	[F80-OH2.1]
2.2.10.4. Mechanical Couplings	
(1)	[F80-OP5]
(2)	[F80-OH2.1,OH2.3]

Table 2.8.1.1. (Continued)

Acceptable Solutions	Objectives and Functional Statements ⁽¹⁾
2.2.10.5. Saddle Hubs	
(1)	[F81–OH2.1,OH2.3] [F81–OP5]
2.2.10.6. Supply and Waste Fittings	
(1)	[F80–OP5]
(2)	[F80–OH2.1,OH2.3]
2.2.10.7. Shower Valves	
(1)	[F80–OS3.2]
(2)	[F31–OS3.2]
(3)	(a) [F31–OS3.2]
	(b) [F30–OS3.1]
(4)	[F31–OS3.2]
2.2.10.8. Direct Flush Valves	
(1)	(a) and (b) [F80,F81–OP5]
	(c) and (d) [F80–OH2.1][F81–OH2.4]
2.2.10.9. Drinking Fountain Bubblers	
(1)	[F40,F46–OH2.4]
(2)	[F41,F46–OH2.2]
(3)	[F41,F46–OH2.2]
2.2.10.10. Back-Siphonage Preventers and Backflow Preventers	
(1)	[F46–OH2.2]
(2)	[F46–OH2.2]
2.2.10.11. Relief Valves	
(1)	[F31–OP5]
	[F31–OS3.2]
2.2.10.12. Reducing Valves	
(1)	[F81–OP5]
2.2.10.13. Solar Domestic Hot Water	
(1)	[F46–OH2.2]
	[F80,F81–OP5]
	[F81–OS3.2]
2.2.10.14. Vent Pipe Flashing	
(1)	[F80,F81–OP5]
(2)	[F80,F81–OP5]
2.2.10.15. Water Hammer Arresters	
(1)	[F20,F80–OP5]

Table 2.8.1.1. (Continued)

Acceptable Solutions	Objectives and Functional Statements ⁽¹⁾
2.2.10.16. Air Admittance Valves	
(1)	[F81–OH1.1]
2.3.2.1. Caulked Lead Drainage Joints	
(1)	[F80–OH2.1,OH2.3]
(2)	[F80–OH2.1]
(3)	[F81–OH2.1]
(4)	[F81–OH2.1]
2.3.2.2. Wiped Joints	
(1)	[F80,F81–OH2.1]
	[F80,F81–OP5]
(2)	[F80,F81–OH2.1,OH2.2,OH2.3]
(3)	[F80,F81–OH2.1,OH2.2,OH2.3]
2.3.2.3. Screwed Joints	
(1)	[F80,F81–OH2.1,OH2.2,OH2.3]
(2)	[F70–OH2.2]
2.3.2.4. Soldered Joints	
(1)	[F20,F81–OH2.1,OH2.2,OH2.3]
2.3.2.5. Flared Joints	
(1)	[F20,F81–OH2.1,OH2.2,OH2.3]
	[F20,F81–OP5]
(2)	[F20,F81–OH2.1,OH2.2,OH2.3]
	[F20,F81–OP5]
2.3.2.6. Mechanical Joints	
(1)	[F20–OH2.1,OH2.2,OH2.3]
	[F20–OP5]
2.3.2.7. Cold-Caulked Joints	
(1)	[F20,F81–OH1.1] Applies to bell and spigot joints in <i>venting systems</i> .
	[F20,F81–OH2.1,OH2.3] Applies to bell and spigot joints in <i>drainage systems</i> or <i>venting systems</i> .
	[F20,F81–OP5]
(2)	[F20,F81–OH1.1]
	[F20,F81–OH2.1,OH2.2,OH2.3]
	[F20,F81–OP5]
(3)	[F20–OH2.1,OH2.3]
2.3.3.1. Drilled and Tapped Joints	
(1)	[F20,F81–OH2.2,OH2.3]
	[F81–OH1.1]

Table 2.8.1.1. (Continued)

Acceptable Solutions	Objectives and Functional Statements ⁽¹⁾
2.3.3.2. Extracted Tees	
(1)	[F20–OP5]
	[F81–OH2.1,OH2.3]
2.3.3.3. Prohibition of Welding of Pipes and Fittings	
(1)	[F20–OH1.1]
	[F20–OH2.1,OH2.2,OH2.3]
(2)	[F80–OH2.2]
	[F80–OP5]
2.3.3.4. Unions and Slip Joints	
(1)	[F81–OH1.1]
	[F81–OH2.1,OH2.3]
(2)	[F81–OH1.1]
	[F81–OH2.1,OH2.3]
2.3.3.5. Increaser or Reducer	
(1)	[F70,F80–OH2.2]
	[F81–OH1.1]
2.3.3.6. Dissimilar Materials	
(1)	[F80–OH1.1]
	[F80–OH2.1]
	[F80–OP5]
2.3.3.7. Connection of Roof Drain to Leader	
(1)	[F21,F81–OP5]
2.3.3.8. Connection of Floor Outlet Fixtures	
(1)	[F80–OH2.1,OH2.3]
(2)	[F80–OH2.1]
	[F80–OP5]
(4)	[F20–OH2.1]
	[F20–OS3.1]
(5)	[F81–OH2.1]
(6)	[F21–OH2.1]
2.3.3.9. Expansion and Contraction	
(1)	[F21–OH1.1]
	[F21–OH2.1]
	[F21–OP5]
2.3.3.10. Copper Tube	
(1)	[F20–OH1.1]
	[F20–OP5]

Table 2.8.1.1. (Continued)

Acceptable Solutions	Objectives and Functional Statements ⁽¹⁾
2.3.3.11. Indirect Connections	
(1)	[F81–OH2.2,OH2.4]
(2)	[F81–OH2.2,OH2.4]
2.3.4.1. Capability of Support	
(1)	[F20–OH2.1,OH2.4]
	[F20–OP5]
	[F20–OS3.1]
(2)	[F20–OH2.1,OH2.3]
	[F20–OS3.1]
(3)	[F20–OH2.1,OH2.3]
	[F20–OS3.1]
2.3.4.2. Independence of Support	
(1)	[F20–OH2.1,OH2.3]
	[F20–OP5]
	[F20–OS3.1]
2.3.4.3. Insulation of Support	
(1)	[F80–OH2.1,OH2.3]
	[F80–OP5]
	[F80–OS3.1]
2.3.4.4. Support for Vertical Piping	
(1)	[F20–OH2.1]
	[F20–OS3.1]
(2)	[F20–OH2.1]
	[F20–OP5]
	[F20–OS3.1]
2.3.4.5. Support for Horizontal Piping	
(1)	[F20–OH2.1,OH2.3]
	[F20–OP5]
	[F20–OS3.1]
(2)	[F20–OH2.1]
	[F20–OP5]
	[F20–OS3.1]
(3)	[F20–OH2.1]
	[F20–OP5]
	(a),(b),(c) [F20–OS3.1]

Table 2.8.1.1. (Continued)

Acceptable Solutions	Objectives and Functional Statements ⁽¹⁾
(4)	[F81–OP5]
	[F81–OS3.1]
(5)	[F20–OH2.1]
	[F20–OS3.1]
	[F81–OP5]
(6)	[F20–OH2.1]
	[F20–OP5]
	[F20–OS3.1]
2.3.4.6. Support for Underground Horizontal Piping	
(1)	[F20–OP5]
	[F81–OH2.1]
(2)	[F81–OH2.1,OH2.3]
	[F81–OP5]
2.3.4.7. Support for Vent Pipe above a Roof	
(1)	[F81–OP5]
	[F81–OS3.1]
2.3.5.1. Backfilling of Pipe Trench	
(1)	[F81–OH2.1,OH2.3]
	[F81–OP5]
2.3.5.2. Protection of Non-Metallic Pipe	
(1)	[F81–OH2.1,OH2.3]
2.3.5.3. Isolation from Loads	
(1)	[F81–OH2.1,OH2.3]
	[F81–OP5]
2.3.5.4. Protection from Frost	
(1)	[F81–OH2.1,OH2.3]
	[F81–OP5]
2.3.5.5. Protection from Mechanical Damage	
(1)	[F81–OH2.1,OH2.3]
	[F81–OP5]
2.3.5.6. Protection from Condensation	
(1)	[F81–OP5]
2.3.6.1. Tests and Inspection of Drainage or Venting Systems	
(1)	[F81–OH1.1] Applies to <i>venting systems</i> .
	[F81–OH2.1,OH2.3] Applies to <i>drainage systems</i> .

Table 2.8.1.1. (Continued)

Acceptable Solutions	Objectives and Functional Statements ⁽¹⁾
(2)	[F81–OH1.1] Applies to <i>venting systems</i> .
	[F81–OH2.1,OH2.3] Applies to <i>drainage systems</i> .
(3)	[F81–OH1.1]
	[F81–OH2.1,OH2.3]
(4)	[F81–OH1.1] Applies to <i>venting systems</i> .
	[F81–OH2.1,OH2.3] Applies to <i>drainage systems</i> .
(5)	[F81–OH2.1,OH2.3]
2.3.6.2. Tests of Pipes in Drainage Systems	
(1)	[F81–OH2.1,OH2.3]
(2)	[F81–OH2.1,OH2.3]
2.3.6.3. Tests of Venting Systems	
(1)	[F81–OH1.1]
2.3.6.4. Water Pressure Tests	
(1)	[F81–OH1.1]
	[F81–OH2.1,OH2.3]
(2)	[F81–OH1.1]
	[F81–OH2.1,OH2.3]
2.3.6.5. Air Pressure Tests	
(1)	[F81–OH1.1]
	[F81–OH2.1,OH2.3]
2.3.6.6. Final Tests	
(1)	[F81–OH1.1]
	[F81–OH2.1,OH2.3]
(2)	[F81–OH1.1]
	[F81–OH2.1,OH2.3]
2.3.6.7. Ball Tests	
(1)	[F81–OH2.1,OH2.3]
(2)	[F81–OH2.1,OH2.3]
2.3.7.1. Application of Tests	
(1)	[F81–OP5]
(3)	[F81–OP5]
(4)	[F81–OP5]
2.3.7.2. Pressure Tests of Potable Water Systems	
(1)	[F20–OP5]
(2)	[F20,F81–OS3.1]

Table 2.8.1.1. (Continued)

Acceptable Solutions	Objectives and Functional Statements ⁽¹⁾
2.3.7.3. Water Pressure Tests	
(1)	[F81–OP5]
(2)	[F70–OH2.2]
2.4.2.1. Connections to Sanitary Drainage Systems	
(1)	(a) [F81–OH2.2]
	(b) [F81–OH2.2]
	(c) [F81–OH2.1]
	(d) [F81–OH2.1]
	(e) [F81–OH2.1]
	[F72–OH2.1] Applies to <i>fixtures</i> that are <i>directly connected</i> to <i>sanitary drainage systems</i> .
(2)	[F81–OH1.1]
(3)	[F81–OH1.1]
(4)	[F81–OH1.1]
2.4.2.2. Connection of Overflows from Rainwater Tanks	
(1)	[F81–OH2.2]
2.4.2.3. Direct Connections	
(1)	[F81–OH2.2]
(2)	[F81–OH2.1,OH2.4]
(3)	[F81–OH2.4]
2.4.3.1. Urinals	
(1)	[F81–OH2.4]
2.4.3.2. Restricted Locations of Indirect Connections and Traps	
(1)	[F81–OH2.1,OH2.4]
2.4.3.3. Equipment Restrictions Upstream of Grease Interceptors	
(1)	[F81–OH2.1]
2.4.3.4. Fixtures Located in Chemical Storage Locations	
(1)	[F43–OH5]
	[F81–OS1.1]
2.4.3.5. Macerating Toilet Systems	
(1)	[F72–OH2.1]
2.4.3.6. Drains Serving Elevator Pits	
(1)	[F62–OP5]
2.4.4.1. Sewage Treatment	
(1)	[F81–OH2.1]
2.4.4.2. Cooling of Hot Water or Sewage	
(1)	[F81–OH2.1]

Table 2.8.1.1. (Continued)

Acceptable Solutions	Objectives and Functional Statements ⁽¹⁾
2.4.4.3. Grease Interceptors	
(1)	[F81–OH2.1]
(2)	[F43–OH5]
	[F81–OS1.1]
(3)	[F81–OH2.1]
(4)	[F81–OH2.1]
2.4.4.4. Neutralizing and Dilution Tanks	
(1)	[F80–OS3.4]
(2)	[F43–OH5]
	[F80–OH2.1]
2.4.5.1. Traps for Sanitary Drainage Systems	
(1)	[F81–OH1.1]
(2)	[F81–OH1.1]
(3)	[F81–OH1.1]
(4)	[F81–OH1.1]
(5)	[F81–OH1.1]
(6)	[F81–OH1.1]
	[F81–OP5]
2.4.5.2. Traps for Storm Drainage Systems	
(1)	[F81–OH1.1]
(2)	[F81–OH1.1]
(3)	[F81–OH2.1]
2.4.5.3. Connection of Subsoil Drainage Pipe to a Sanitary Drainage System	
(1)	[F81–OH2.1]
2.4.5.4. Location and Cleanout for Building Traps	
(1)	[F81–OH2.1]
2.4.5.5. Trap Seals	
(1)	[F81–OH1.1]
2.4.6.1. Separate Systems	
(1)	[F81–OH2.1]
(2)	[F81–OH2.1]
(3)	[F81–OH1.1]
2.4.6.2. Location of Soil-or-Waste Pipes	
(1)	[F81–OH2.2]
2.4.6.3. Sumps or Tanks	
(1)	[F81–OH2.1]

Table 2.8.1.1. (Continued)

Acceptable Solutions	Objectives and Functional Statements ⁽¹⁾
(2)	[F81–OH2.1] Applies to the watertightness of sumps or tanks.
	[F81–OH1.1]
(3)	[F81–OH2.1]
(4)	[F81–OH2.1]
(5)	[F81–OH2.1]
(6)	[F81–OH2.1]
(7)	[F81–OH2.1]
2.4.6.4. Protection from Backflow	
(1)	[F81–OH1.1]
	[F81–OH2.1]
(2)	[F81–OH1.1]
(3)	[F81–OH2.1]
(4)	[F81–OH2.1]
(5)	[F81–OH2.1]
(6)	[F81–OH2.1]
2.4.6.5. Mobile Home Sewer Service	
(1)	[F81–OH2.1]
2.4.7.1. Cleanouts for Drainage Systems	
(1)	[F81–OH2.1]
(2)	[F81–OH2.1]
(3)	[F81–OH2.1]
(4)	[F81–OH2.1]
(5)	[F81–OH2.1]
(6)	[F81–OH2.1]
(7)	[F81–OH2.1]
(8)	[F81–OH2.1]
(9)	[F81–OH2.1]
2.4.7.2. Size and Spacing of Cleanouts	
(1)	[F81–OH2.1]
(2)	[F81–OH2.1]
(3)	[F81–OH2.1]
(4)	[F81–OH2.1]
(5)	[F81–OH2.1]
2.4.7.3. Manholes	
(1)	[F20–OS3.1]

Table 2.8.1.1. (Continued)

Acceptable Solutions	Objectives and Functional Statements ⁽¹⁾
(2)	(a) and (c) [F81–OH1.1]
	(a) and (c) [F81–OS1.1]
	(b) [F20–OS3.1]
(3)	[F30–OS3.1]
(4)	[F81–OH2.1]
2.4.7.4. Location of Cleanouts	
(1)	[F81–OH2.1]
(2)	(a) [F81–OS3.1]
	(b) [F81–OH2.1]
(3)	[F81–OH2.1]
(4)	[F81–OH1.1] Applies to vent piping.
	[F81–OH2.1] Applies to drainage piping.
(5)	[F43–OH2.1]
2.4.8.1. Minimum Slope	
(1)	[F81–OH2.1]
2.4.8.2. Length of Fixture Outlet Pipes	
(1)	[F81–OH1.1]
2.4.9.1. No Reduction in Size	
(1)	[F81–OH1.1]
	[F81–OH2.1]
2.4.9.2. Serving Water Closets	
(1)	[F81–OH2.1]
(2)	[F81–OH2.1]
(3)	[F81–OH2.1]
(4)	[F81–OH2.1]
2.4.9.3. Size of Fixture Outlet Pipes	
(1)	[F81–OH2.1]
(2)	[F81–OH2.1]
(3)	[F81–OH1.1]
	[F81–OP5]
2.4.9.4. Size of Building Drain and Building Sewer	
(1)	[F81–OH2.1]
2.4.9.5. Offset in Leaders	
(1)	[F81–OH2.1, OH2.3]
(2)	[F81–OH2.1]

Table 2.8.1.1. (Continued)

Acceptable Solutions	Objectives and Functional Statements ⁽¹⁾
2.4.10.1. Total Load on a Pipe	
(1)	[F81–OH2.1]
2.4.10.2. Hydraulic Loads for Fixtures	
(2)	[F81–OH2.1]
2.4.10.3. Hydraulic Loads from Fixtures with a Continuous Flow	
(1)	[F81–OH2.1]
(2)	[F81–OH2.1]
2.4.10.4. Hydraulic Loads from Roofs or Paved Surfaces	
(1)	[F81–OP5]
	[F81–OS2.1]
(2)	(a), (d) and (e) [F41,F81–OH2.4]
	(b) and (c) [F20,F81–OS2.1]
	[F20,F81–OP5]
(3)	[F20,F81–OP5]
	[F20,F81–OS2.1]
2.4.10.5. Conversion of Fixture Units to Litres	
(1)	[F81–OH2.1]
2.4.10.6. Hydraulic Loads to Soil-or-Waste Pipes	
(1)	[F72–OH2.1,OH2.3]
(2)	[F72–OH2.1,OH2.3]
2.4.10.7. Hydraulic Loads on Branches	
(1)	[F72–OH2.1,OH2.3]
2.4.10.8. Hydraulic Loads on Sanitary Building Drains or Sewers	
(1)	[F81–OH2.1,OH2.3]
2.4.10.9. Hydraulic Loads on Storm or Combined Building Drains or Sewers	
(1)	[F81–OH2.1,OH2.3]
2.4.10.10. Hydraulic Loads to Roof Gutters	
(1)	[F81–OP5]
2.4.10.11. Hydraulic Loads on Leaders	
(1)	[F81–OP5]
2.4.10.12. Hydraulic Loads from Fixtures with a Semi-continuous Flow	
(1)	[F81–OP5]
2.4.10.13. Design of Storm Sewers	
(1)	[F81–OH2.1]
2.5.1.1. Venting for Traps	
(1)	[F81–OH1.1]

Table 2.8.1.1. (Continued)

Acceptable Solutions	Objectives and Functional Statements ⁽¹⁾
(2)	[F81-OH1.1]
2.5.2.1. Wet Venting	
(1)	[F40,F81-OH1.1]
2.5.3.1. Circuit Venting	
(1)	[F40,F81-OH1.1]
(2)	[F40,F81-OH1.1]
(3)	[F40,F81-OH1.1]
(4)	[F40,F81-OH1.1]
(5)	[F40,F81-OH1.1]
(6)	[F40,F81-OH1.1]
(7)	[F40,F81-OH1.1]
(8)	[F40,F81-OH1.1]
(9)	[F40,F81-OH1.1]
(10)	[F40,F81-OH1.1]
(11)	[F40,F81-OH1.1]
2.5.4.1. Stack Vents	
(1)	[F40,F81-OH1.1]
2.5.4.2. Vent Stacks	
(1)	[F40,F81-OH1.1]
(2)	[F40,F81-OH1.1]
(3)	[F40,F81-OH1.1]
(4)	[F40,F81-OH1.1]
2.5.4.3. Yoke Vents	
(1)	[F40,F81-OH1.1]
(2)	[F40,F81-OH1.1]
(3)	[F40,F81-OH1.1]
(4)	[F40,F81-OH1.1]
2.5.4.4. Offset Relief Vents	
(1)	[F40,F81-OH1.1]
2.5.4.5. Fixtures Draining into Vent Pipes	
(1)	[F40,F81-OH1.1]
2.5.5.1. Venting of Sewage Sumps	
(1)	[F40,F81-OH1.1]

Table 2.8.1.1. (Continued)

Acceptable Solutions	Objectives and Functional Statements ⁽¹⁾
2.5.5.2. Venting of Oil Interceptors	
(1)	[F40,F81–OH1.1]
	[F40,F81–OS1.1]
	[F72,F81–OH2.1,OH2.3]
(2)	[F40,F81–OH1.1]
	[F40,F81–OS1.1]
(3)	[F40,F81–OS1.1]
(4)	[F40,F81–OS1.1]
(5)	[F40,F81–OS1.1]
2.5.5.3. Venting of Drain Piping and Dilution Tanks for Corrosive Waste	
(1)	[F80,F81–OS3.4]
2.5.5.4. Fresh Air Inlets	
(1)	[F81–OH1.1]
2.5.5.5. Provision for Future Installations	
(1)	[F81–OH1.1] Applies to <i>venting systems</i> .
	[F81–OH2.1,OH2.3] Applies to <i>drainage systems</i> .
(2)	[F40,F81–OH1.1]
2.5.6.1. Drainage of Vent Pipes	
(1)	[F81–OH1.1]
	[F81–OS1.1]
2.5.6.2. Vent Pipe Connections	
(1)	[F81–OS1.1]
(2)	[F81–OH1.1]
(3)	[F40,F81–OH1.1]
2.5.6.3. Location of Vent Pipes	
(1)	[F81–OH1.1]
(2)	[F81–OH2.1,OH2.3]
(3)	[F81–OH1.1]
(4)	[F40,F81–OH1.1]
2.5.6.4. Connection of Vents above Fixtures Served	
(1)	[F81–OH1.1]
(2)	[F81–OH1.1]
2.5.6.5. Terminals	
(1)	[F81–OH1.1]
(2)	[F81–OH1.1]
(3)	[F81–OH1.1]

Table 2.8.1.1. (Continued)

Acceptable Solutions	Objectives and Functional Statements ⁽¹⁾
(4)	[F81–OH1.1]
(5)	[F81–OH1.1]
(6)	[F81–OH1.1]
2.5.7.1. General	
(1)	[F81–OH1.1]
2.5.7.2. Size Restriction	
(1)	[F81–OH1.1]
2.5.7.3. Additional Circuit Vents and Relief Vents	
(1)	[F81–OH1.1]
(2)	[F81–OH1.1]
2.5.7.4. Offset Relief Vents	
(1)	[F81–OH1.1]
2.5.7.5. Yoke Vents	
(1)	[F81–OH2.1]
2.5.7.6. Vent Pipes for Manholes	
(1)	[F81–OH2.1]
2.5.7.7. Vents for Sewage Sumps, Dilution Tanks and Macerating Toilet Systems	
(1)	[F81–OH2.1]
(2)	[F81–OH2.1]
(3)	[F81–OH1.1]
2.5.8.1. Hydraulic Loads Draining to Wet Vents	
(1)	[F81–OH1.1]
(2)	[F81–OH1.1]
2.5.8.2. Individual Vents and Dual Vents	
(1)	[F81–OH1.1]
2.5.8.3. Branch Vents, Vent Headers, Continuous Vents and Circuit Vents	
(1)	[F81–OH1.1]
2.5.8.4. Vent Stacks or Stack Vents	
(2)	[F81–OH1.1]
(3)	[F81–OH1.1]
(4)	[F81–OH1.1]
(5)	[F81–OH1.1]
2.5.9.2. Air Admittance Valves	
(1)	[F40,F81–OH1.1]
(2)	[F40,F81–OH1.1]

Table 2.8.1.1. (Continued)

Acceptable Solutions	Objectives and Functional Statements ⁽¹⁾
2.5.9.3. Installation Conditions	
(1)	[F40,F81-OH1.1]
(2)	[F40,F81-OH1.1]
(3)	[F40,F81-OH1.1]
(4)	[F40,F81-OH1.1]
(5)	[F40,F81-OH1.1]
2.6.1.1. Design, Fabrication and Installation	
(1)	[F72-OH2.1] [F70-OH2.2] [F71-OH2.3]
(2)	[F31-OS3.2]
(3)	[F71-OH2.3]
2.6.1.2. Drainage	
(1)	[F81-OP5]
2.6.1.3. Shut-off Valves	
(1)	[F81-OP5]
(2)	[F81-OP5]
(3)	[F81-OP5]
(4)	[F81-OP5]
(5)	[F70,F72-OH2.1,OH2.3]
(6)	[F70,F72-OH2.1,OH2.3]
(7)	[F70,F81-OH2.1,OH2.3]
2.6.1.4. Protection for Exterior Water Supply	
(1)	[F81-OP5]
2.6.1.5. Check Valves	
(1)	[F20,F81-OP5]
2.6.1.6. Flushing Devices	
(1)	[F72-OH2.1]
(2)	[F72-OH2.1]
2.6.1.7. Relief Valves	
(1)	[F31,F81-OS3.2]
(2)	[F81-OS3.1,OS3.2]
(4)	(a) [F31-OS3.2] [F81-OS1.1] (b) [F81-OS3.1,OS3.2]
(5)	(b) [F81-OH2.2] Applies to the size of <i>air breaks</i> . [F31-OS3.2]
(6)	[F31-OS3.2]
(7)	[F31-OS3.2]

Table 2.8.1.1. (Continued)

Acceptable Solutions	Objectives and Functional Statements ⁽¹⁾
(8)	[F81-OS3.2]
(9)	[F81-OP5]
(10)	[F81-OP5]
2.6.1.8. Solar Domestic Hot Water Systems	
(1)	[F31-OS3.2] [F81-OS3.4] [F70-OH2.2]
2.6.1.9. Water Hammer	
(1)	[F20,F81-OP5] [F20,F81-OS3.2]
2.6.1.10. Mobile Home Water Service	
(1)	[F71,F70,F46-OH2.2,OH2.3]
2.6.1.11. Thermal Expansion	
(1)	[F20,F81,F46-OP5]
2.6.1.12. Service Water Heaters	
(1)	[F40-OS3.4]
2.6.2.1. Connection of Systems	
(1)	[F70,F81,F46-OH2.1,OH2.2,OH2.3]
(2)	[F70,F81,F46-OH2.1,OH2.2,OH2.3]
(3)	[F70,F81,F82-OH2.2,OH2.3]
2.6.2.2. Back-Siphonage	
(1)	[F70,F81,F46-OH2.1,OH2.2,OH2.3]
(2)	[F70,F81,F46-OH2.1,OH2.2,OH2.3]
2.6.2.3. Backflow Caused by Back Pressure	
(1)	[F70,F81,F46-OH2.1,OH2.2,OH2.3]
(2)	[F70,F81,F46-OH2.1,OH2.2,OH2.3]
(3)	[F70,F81,F46-OH2.1,OH2.2,OH2.3]
2.6.2.4. Backflow from Fire Protection Systems	
(2)	[F46,F70,F81-OH2.1,OH2.2,OH2.3]
(3)	[F46,F70,F81-OH2.1,OH2.2,OH2.3]
(4)	[F46,F70,F81-OH2.1,OH2.2,OH2.3]
2.6.2.5. Separation of Water Supply Systems	
(1)	[F70,F81,F46-OH2.1,OH2.2,OH2.3]
2.6.2.6. Premise Isolation	
(1)	[F70,F81,F82-OH2.1,OH2.2,OH2.3]
2.6.2.7. Hose Bibb	
(1)	[F70,F81,F46-OH2.1,OH2.2,OH2.3]

Table 2.8.1.1. (Continued)

Acceptable Solutions	Objectives and Functional Statements ⁽¹⁾
2.6.2.8. Cleaning of Systems	
(1)	[F70,F81,F46-OH2.1,OH2.2,OH2.3]
2.6.2.9. Air Gap	
(1)	[F70,F81,F46-OH2.1,OH2.2,OH2.3]
(2)	[F70,F81,F46-OH2.1,OH2.2,OH2.3]
2.6.2.10. Vacuum Breakers	
(2)	[F70,F81,F46-OH2.1,OH2.2,OH2.3]
(3)	[F70,F81,F46-OH2.1,OH2.2,OH2.3]
(4)	[F70,F81,F46-OH2.1,OH2.2,OH2.3]
2.6.2.11. Tank-Type Water Closets	
(1)	[F70,F81,F46-OH2.1,OH2.2,OH2.3]
2.6.2.12. Backflow Preventers	
(1)	[F70,F81,F46-OH2.1,OH2.2,OH2.3]
2.6.3.1. Design	
(1)	[F71,F72-OH2.1,OH2.3]
2.6.3.2. Hydraulic Load	
(1)	[F71,F72-OH2.1,OH2.3]
(2)	[F71,F72-OH2.1,OH2.3]
(3)	[F71,F72-OH2.1,OH2.3]
2.6.3.3. Static Pressure	
(1)	[F81-OS3.2]
2.6.3.4. Size	
(1)	[F71,F72-OH2.1,OH2.3]
(2)	[F71,F72-OH2.1,OH2.3]
(3)	[F71,F72-OH2.1,OH2.3]
2.7.1.1. Not Permitted	
(1)	[F46-OH2.2]
2.7.2.1. Markings Required	
(1)	[F46-OH2.2]
2.7.3.1. Pipes	
(1)	[F46-OH2.2]
2.7.3.2. Outlets	
(1)	[F46-OH2.2]

Notes to Table 2.8.1.1.:

(1) See Parts 2 and 3 of Division A.

Appendix A

Explanatory Material

A-1.1.2.1.(1) Objectives and Functional Statements Attributed to Acceptable

Solutions. The objectives and functional statements attributed to each Code provision are shown in Table 2.8.1.1. at the end of Division B.

Many provisions in Division B serve as modifiers of or pointers to other provisions or serve other clarification or explanatory purposes. In most cases, no objectives and functional statements have been attributed to such provisions, which therefore do not appear in the above-mentioned table.

For provisions that serve as modifiers of or pointers to other referenced provisions and that do not have any objectives and functional statements attributed to them, the objectives and functional statements that should be used are those attributed to the provisions they reference.

A-1.3.1.2.(1) Referenced Documents. ◇ Where documents are referenced in the Appendices of this Code, they shall be the editions designated in Table A-1.3.1.2.(1).

Table A-1.3.1.2.(1)
Documents Referenced in the Appendices of the National Plumbing Code of Canada 2005 ◇ ★

Issuing Agency	Document Number	Title of Document	Code Reference
ASHRAE	2005	ASHRAE Handbook – Fundamentals, Chapter 36, Pipe Sizing	A-2.6.1.1.(1)
ASME	ANSI/ASME B16.3-2006	Malleable Iron Threaded Fittings, Classes 150 and 300	Table A-2.2.5, 2.2.6. and 2.2.7.
ASME	ANSI/ASME B16.4-2006	Gray Iron Threaded Fittings, Classes 125 and 250	Table A-2.2.5, 2.2.6. and 2.2.7.
ASME	ANSI/ASME B16.15-2006	Cast Copper Alloy Threaded Fittings, Classes 125 and 250	Table A-2.2.5, 2.2.6. and 2.2.7.
ASME	B16.18-2001	Cast Copper Alloy Solder-Joint Pressure Fittings	Table A-2.2.5, 2.2.6. and 2.2.7.
ASME	ANSI/ASME B16.22-2001	Wrought Copper and Copper Alloy Solder Joint Pressure Fittings	Table A-2.2.5, 2.2.6. and 2.2.7.
ASME	ANSI/ASME B16.23-2002	Cast Copper Alloy Solder Joint Drainage Fittings: DWV	Table A-2.2.5, 2.2.6. and 2.2.7.
ASME	ANSI/ASME B16.29-2001	Wrought Copper and Wrought Copper Alloy Solder Joint Drainage Fittings – DWV	Table A-2.2.5, 2.2.6. and 2.2.7.
ASPE	1999	Data Book – Volume 2, Chapter 5, Cold Water Systems	A-2.6.1.1.(1)
ASPE	1999	Data Book – Volume 2, Chapter 6, Domestic Water Heating Systems Fundamentals	A-2.6.1.1.(1)
ASPE	2003	Data Book – Volume 4, Chapter 8, Grease Interceptors	A-2.4.4.3.(1)

This Appendix is included for explanatory purposes only and does not form part of the requirements. The numbers that introduce each Appendix Note correspond to the applicable requirements in this Division. The figures are schematic only; they depict various parts of the plumbing system but do not include details. For an explanation of the symbols and abbreviations used in the figures, refer to the list provided at the end of the Code.

Table A-1.3.1.2.(1) (Continued)

Issuing Agency	Document Number	Title of Document	Code Reference
ASTM	A 53/A 53M-06a	Pipe, Steel, Black and Hot-Dipped, Zinc-Coated, Welded and Seamless	Table A-2.2.5, 2.2.6. and 2.2.7.
ASTM	B 42-02e1	Seamless Copper Pipe, Standard Sizes	Table A-2.2.5, 2.2.6. and 2.2.7.
ASTM	B 43-98	Seamless Red Brass Pipe, Standard Sizes	Table A-2.2.5, 2.2.6. and 2.2.7.
ASTM	B 88-03	Seamless Copper Water Tube	Table A-2.2.5, 2.2.6. and 2.2.7.
ASTM	B 306-02	Copper Drainage Tube (DWV)	Table A-2.2.5, 2.2.6. and 2.2.7.
ASTM	D 2466-06	Poly(Vinyl Chloride) (PVC) Plastic Pipe Fittings, Schedule 40	Table A-2.2.5, 2.2.6. and 2.2.7.
ASTM	D 2467-06	Poly(Vinyl Chloride) (PVC) Plastic Pipe Fittings, Schedule 80	Table A-2.2.5, 2.2.6. and 2.2.7.
ASTM	D 3138-04	Solvent Cements for Transition Joints Between Acrylonitrile-Butadiene-Styrene (ABS) and Poly(Vinyl Chloride) (PVC) Non-Pressure Piping Components	A-2.2.5.10. to 2.2.5.12.
ASTM	F 628-06e1	Acrylonitrile-Butadiene-Styrene (ABS) Schedule 40 Plastic Drain, Waste, and Vent Pipe With a Cellular Core	Table A-2.2.5, 2.2.6. and 2.2.7.
ASTM	F 714-06a	Polyethylene (PE) Plastic Pipe (SDR-PR) Based on Outside Diameter	Table A-2.2.5, 2.2.6. and 2.2.7.
AWWA	2004	Manual M14, Recommended Practice for Backflow Prevention and Cross-Connection Control	A-2.6.2.4.(2)
AWWA	ANSI/AWWA C151/A21.51-2002	Ductile-Iron Pipe, Centrifugally Cast, for Water or Other Liquids	Table A-2.2.5, 2.2.6. and 2.2.7.
CCBFC	NRCC 47666	National Building Code of Canada 2005	Table A-2.2.5, 2.2.6. and 2.2.7. A-2.4.10. A-2.4.10.4.(1)
CGSB	CAN/CGSB-34.1-94	Asbestos-Cement Pressure Pipe	Table A-2.2.5, 2.2.6. and 2.2.7.
CGSB	CAN/CGSB-34.9-94	Asbestos-Cement Sewer Pipe	Table A-2.2.5, 2.2.6. and 2.2.7.
CGSB	CAN/CGSB-34.22-94	Asbestos-Cement Drain Pipe	Table A-2.2.5, 2.2.6. and 2.2.7.
CGSB	CAN/CGSB-34.23-94	Asbestos-Cement House Connection Sewer Pipe	Table A-2.2.5, 2.2.6. and 2.2.7.
CSA	A60.1-M1976	Vitrified Clay Pipe	Table A-2.2.5, 2.2.6. and 2.2.7.
CSA	CAN/CSA-A257.1-03	Non-Reinforced Circular Concrete Culvert, Storm Drain, Sewer Pipe, and Fittings	Table A-2.2.5, 2.2.6. and 2.2.7.
CSA	CAN/CSA-A257.2-03	Reinforced Circular Concrete Culvert, Storm Drain, Sewer Pipe, and Fittings	Table A-2.2.5, 2.2.6. and 2.2.7.
CSA	CAN/CSA-B64.4.1-01	Backflow Preventers, Reduced Pressure Principle Type for Fire Systems (RPF)	Table A-2.6.2.4.(2)
CSA	CAN/CSA-B64.5.1-01	Backflow Preventers, Double Check Valve Type for Fire Systems (DCVAF)	Table A-2.6.2.4.(2)
CSA	CAN/CSA-B64.6.1-01	Backflow Preventers, Dual Check Valve Type for Fire Systems (DuCF)	Table A-2.6.2.4.(2)
CSA	CAN/CSA-B64.9-01	Backflow Preventers, Single Check Valve Type for Fire Systems (SCVAF)	Table A-2.6.2.4.(2)

Table A-1.3.1.2.(1) (Continued)

Issuing Agency	Document Number	Title of Document	Code Reference
CSA	CAN/CSA-B64.10.1-01	Manual for the Maintenance and Field Testing of Backflow Prevention Devices	A-2.6.2.1.(3)
CSA	B70-06	Cast Iron Soil Pipe, Fittings, and Means of Joining	Table A-2.2.5, 2.2.6. and 2.2.7.
CSA	CAN/CSA-B125.3-05	Plumbing Fittings	A-2.6.1.11.(1)
CSA	CAN/CSA-B127.1-99	Asbestos Cement Drain, Waste and Vent Pipe and Pipe Fittings	Table A-2.2.5, 2.2.6. and 2.2.7.
CSA	B127.2-M1977	Components for Use in Asbestos Cement Building Sewer Systems	Table A-2.2.5, 2.2.6. and 2.2.7.
CSA	B137.1-05	Polyethylene (PE) Pipe, Tubing, and Fittings for Cold-Water Pressure Services	Table A-2.2.5, 2.2.6. and 2.2.7.
CSA	B137.2-05	Polyvinylchloride (PVC) Injection-Moulded Gasketed Fittings for Pressure Applications	Table A-2.2.5, 2.2.6. and 2.2.7.
CSA	B137.3-05	Rigid Polyvinyl Chloride (PVC) Pipe for Pressure Applications	Table A-2.2.5, 2.2.6. and 2.2.7.
CSA	B137.5-05	Crosslinked Polyethylene (PEX) Tubing Systems for Pressure Applications	Table A-2.2.5, 2.2.6. and 2.2.7. A-2.2.5.7.(1)
CSA	B137.6-05	Chlorinated Polyvinylchloride (CPVC) Pipe, Tubing, and Fittings for Hot- and Cold-Water Distribution Systems	Table A-2.2.5, 2.2.6. and 2.2.7. A-2.2.5.10. to 2.2.5.12.
CSA	B137.9-05	Polyethylene/Aluminum/Polyethylene (PE-AL-PE) Composite Pressure-Pipe Systems	Table A-2.2.5, 2.2.6. and 2.2.7. A-2.2.5.13.(1)
CSA	B137.10-05	Crosslinked Polyethylene/Aluminum/Crosslinked Polyethylene (PEX-AL-PEX) Composite Pressure-Pipe Systems	Table A-2.2.5, 2.2.6. and 2.2.7. A-2.2.5.14.(1)
CSA	B137.11-05	Polypropylene (PP-R) Pipe and Fittings for Pressure Applications	Table A-2.2.5, 2.2.6. and 2.2.7. A-2.2.5.15.(1)
CSA	B181.1-06	Acrylonitrile-Butadiene-Styrene (ABS) Drain, Waste, and Vent Pipe and Pipe Fittings	Table A-2.2.5, 2.2.6. and 2.2.7. A-2.2.5.10. to 2.2.5.12.
CSA	B181.2-06	Polyvinylchloride (PVC) and Chlorinated Polyvinylchloride (CPVC) Drain, Waste, and Vent Pipe and Pipe Fittings	Table A-2.2.5, 2.2.6. and 2.2.7. A-2.2.5.10. to 2.2.5.12.
CSA	B181.3-06	Polyolefin and Polyvinylidene Fluoride (PVDF) Laboratory Drainage Systems	Table A-2.2.5, 2.2.6. and 2.2.7.
CSA	B182.1-06	Plastic Drain and Sewer Pipe and Pipe Fittings	Table A-2.2.5, 2.2.6. and 2.2.7.
CSA	B182.2-06	PSM Type Polyvinylchloride (PVC) Sewer Pipe and Fittings	Table A-2.2.5, 2.2.6. and 2.2.7.
CSA	B182.4-06	Profile Polyvinylchloride (PVC) Sewer Pipe and Fittings	Table A-2.2.5, 2.2.6. and 2.2.7.
CSA	B182.6-06	Profile Polyethylene (PE) Sewer Pipe and Fittings For Leak-Proof Sewer Applications	Table A-2.2.5, 2.2.6. and 2.2.7.
CSA	B182.7-06	PSM Type Multilayer Polyvinylchloride (PVC) Sewer Pipe Having Reprocessed-Recycled Content	Table A-2.2.5, 2.2.6. and 2.2.7.
CSA	G401-01	Corrugated Steel Pipe Products	Table A-2.2.5, 2.2.6. and 2.2.7.

Table A-1.3.1.2.(1) (Continued)

Issuing Agency	Document Number	Title of Document	Code Reference
McGraw-Hill	2006	International Plumbing Codes Handbook, R. Dodge Woodson	A-2.6.3.
NIST	Building Materials and Structures Report BMS-79, 1941	Water-Distributing Systems for Buildings, R. B. Hunter	A-2.6.3.

A-2.1.2.1.(2) Combined Building Drains. Combined building drains may have proven acceptable on the basis of past performance in some localities and their acceptance under this Code may be warranted.

A-2.1.2.4.(1) Service Piping. The layout as shown in Figure A-2.1.2.4.(1)(c) may require special legal arrangements in some jurisdictions to ensure that access can be provided to all parts of the service pipes.

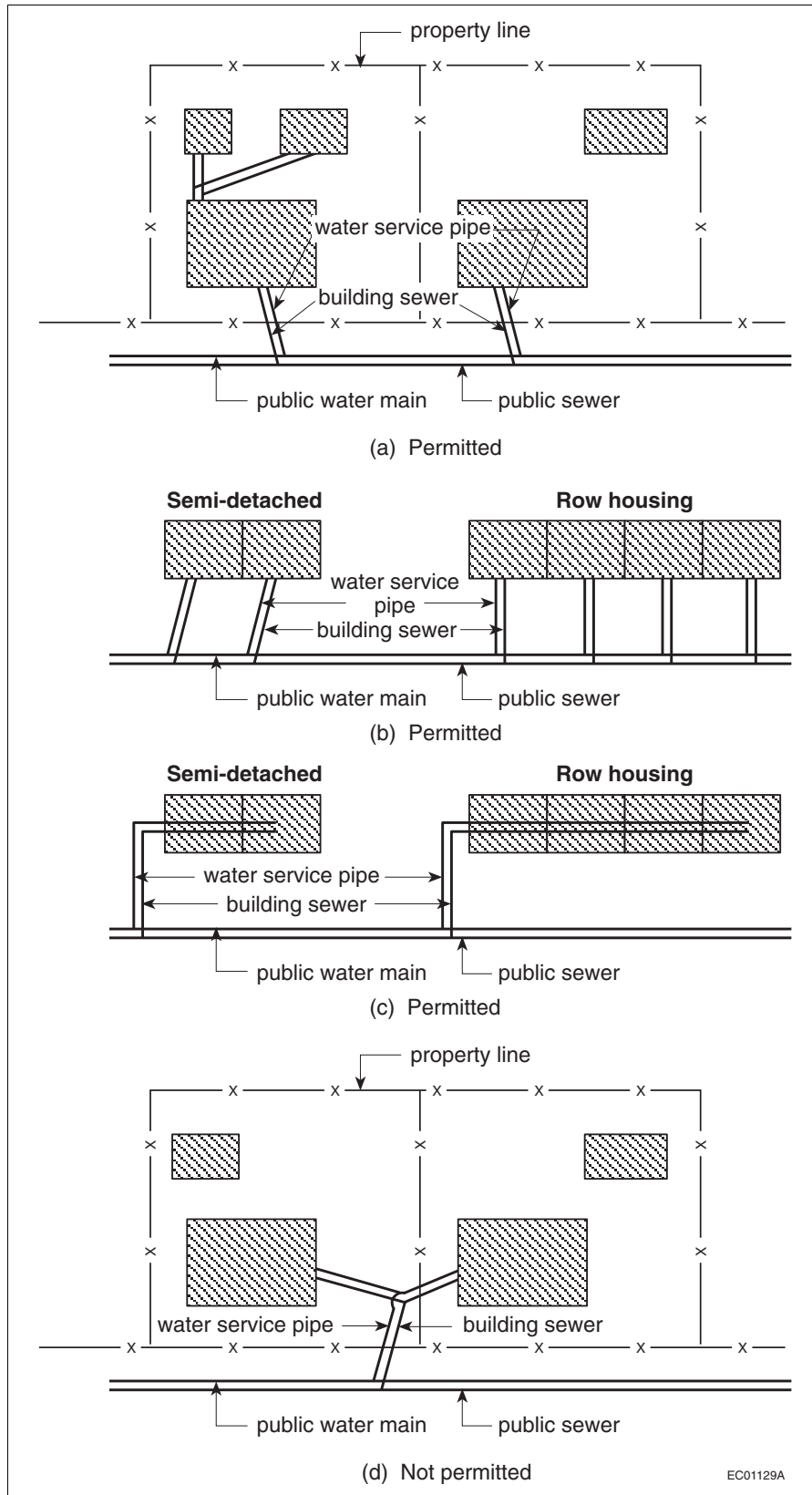


Figure A-2.1.2.4.(1)
Service Piping

A-2.2.2.3.(3) Shower Drainage (Plan View).

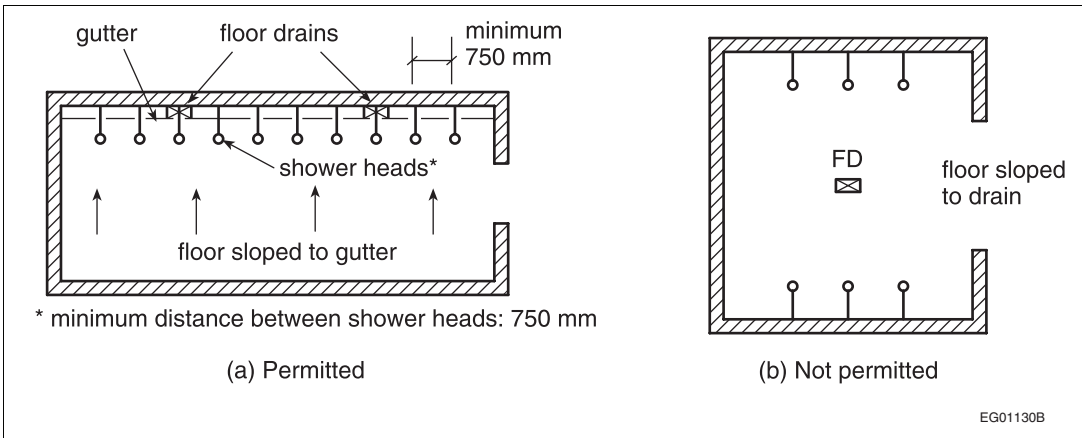


Figure A-2.2.2.3.(3)
Shower Drainage (Plan View)

A-2.2.2.4.(1) Concealed Overflows. This does not preclude the use of a standing waste.

A-2.2.3.1.(1) and (3) Trap Seal Depth and Trap Connections.

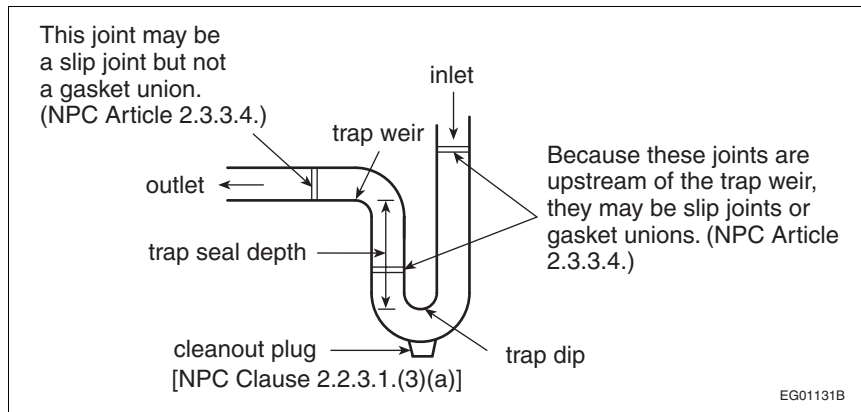


Figure A-2.2.3.1.(1) and (3)
Trap Seal Depth and Trap Connections

A-2.2.3.1.(4) Prohibited Traps. Except for an S-trap standard, the S trap shown in Figure A-2.2.3.1.(4)(b) is prohibited by Clause 2.5.6.3.(1)(b), which limits the fall on fixture drains. Crown vented traps shown in Figure A-2.2.3.1.(4)(c) are prohibited by Clause 2.5.6.3.(1)(a), which requires that the distance from the trap weir to the vent be not less than twice the size of the fixture drain.

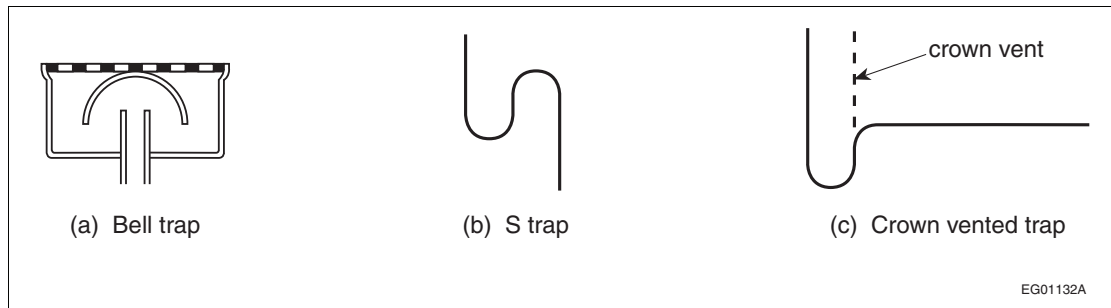


Figure A-2.2.3.1.(4)
Prohibited Traps

A-2.2.4.1. T Fittings in Drainage Systems. The use of a cross fitting in a drainage system is prohibited, but such fitting may be used in a venting system to connect 4 vent pipes. In a drainage system a T fitting can only be used as shown in Figure A-2.2.4.1.(a), and cannot be used as shown in Figure A-2.2.4.1.(b) because the T or cross fitting would change the direction of flow in the drainage system.

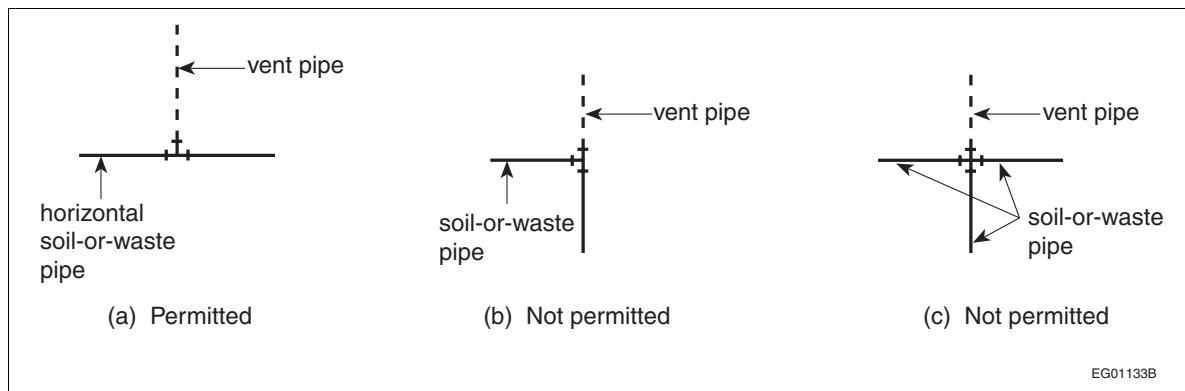


Figure A-2.2.4.1.
T Fittings in Drainage Systems

A-2.2.4.2. Sanitary T Fittings in Drainage Systems. A sanitary T fitting may be used to change the direction of flow in a drainage system from horizontal to vertical, but may not be used to change the direction of flow in a nominally horizontal drainage system. A combination Y and 1/8th bend fitting may also be used as shown in Figure A-2.2.4.2.(b).

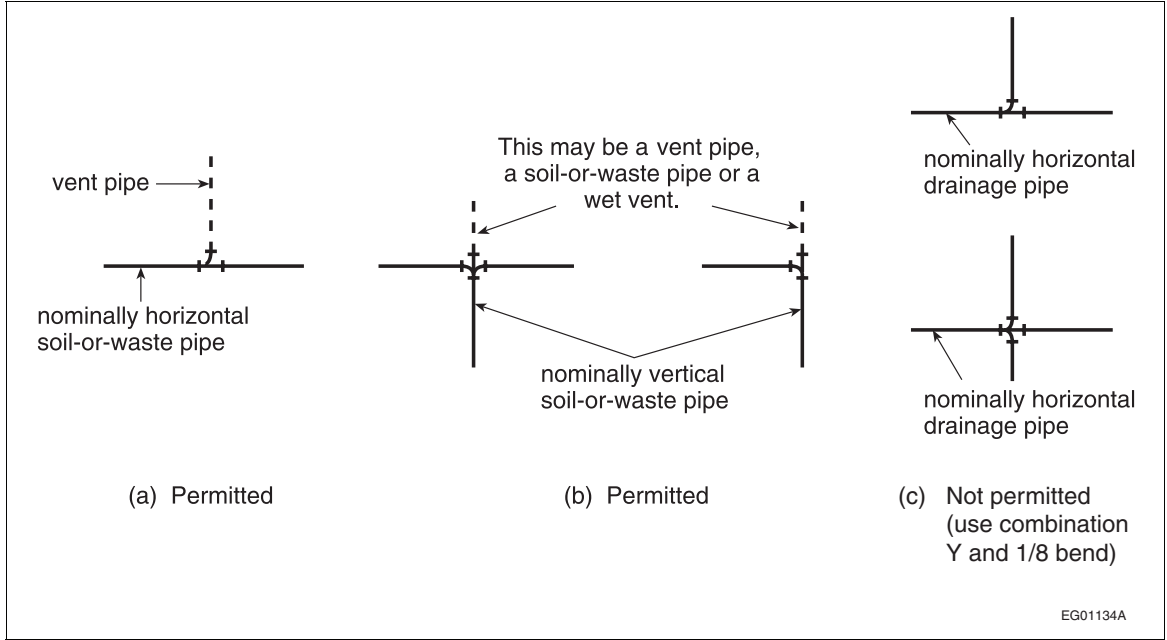


Figure A-2.2.4.2.
Sanitary T Fittings in Drainage Systems

A-2.2.5, 2.2.6. and 2.2.7. Pipe and Fitting Applications.

Copyright © NRC 1941 - 2019 World Rights Reserved © CNRC 1941-2019 Droits réservés pour tous pays

Table A-2.2.5, 2.2.6. and 2.2.7.
Summary of Pipe and Fitting Applications

Type of Piping	Standard References	NPC References	Use of Piping ⁽¹⁾										
			Drainage System			Venting System		Potable Water System					
			Above-ground inside building	Under-ground under building	Building sewer	Above-ground	Under-ground	Above-ground	Cold	Hot	Under building	Outside building	
Asbestos-cement DWV pipe	CAN/CGSB-34.22 or CAN/CSA-B127.1	2.2.5.1.(1)	P	P	P	P	P	N	N	N	N	N	N
Type I Class 3 000, sizes 8-in. to 24-in.			P	P	P	P	N	N	N	N	N	N	N
Type II Class 4 000, sizes 3-in. to 24-in.	CAN/CGSB-34.23 or CSA B127.2-M	2.2.5.1.(2)	N	P	P	N	N	N	N	N	N	N	N
Asbestos-cement sewer pipe (non-pressure)			N	P	P	N	N	N	N	N	N	N	N
Classes 1 500, 2 400, 3 000, sizes 4-in., 5-in., 6-in.	CAN/CGSB-34.9	2.2.5.1.(2)	N	P	P	N	N	N	N	N	N	N	N
Classes 1 500, 2 400, 3 300, 4 000, 5 000, 6 000, 7 000, sizes 8-in. to 42.2-in.			N	P	P	N	N	N	N	N	N	N	N
Asbestos-cement water pipe	CAN/CGSB-34.1	2.2.5.2.	N	N	N	N	N	N	N	N	N	N	P ⁽²⁾
Class 100 psi			N	N	N	N	N	N	N	N	N	N	N
Class 150 psi			N	N	N	N	N	N	N	N	N	N	N
Class 200 psi	CSA Series A257	2.2.5.3.	N	P ⁽³⁾	P	N	N	N	N	N	N	N	N
Concrete sewer pipe			N	P ⁽³⁾	P	N	N	N	N	N	N	N	N
Sewer, storm drain and culvert	CAN/CSA-A257.1	2.2.5.3.	N	P ⁽³⁾	P	N	N	N	N	N	N	N	N
Reinforced culvert, storm drain and sewer			N	P ⁽³⁾	P	N	N	N	N	N	N	N	N
Vitrified clay pipe	CSA A60.1-M	2.2.5.4.	N	P	P	N	N	N	N	N	N	N	N

Table A-2.2.5, 2.2.6. and 2.2.7. (Continued)

Type of Piping	Standard References	NPC References	Use of Piping ⁽¹⁾									
			Drainage System			Venting System		Potable Water System				
			Above-ground inside building	Under-ground under building	Building sewer	Above-ground	Under-ground	Above-ground	Cold	Hot	Under building	Outside building
Crosslinked Polyethylene/Aluminum/Crosslinked Polyethylene (PEX/AL/PEX) pressure pipe	CSA B137.10	2.2.5.14.	N	N	N	N	N	P ⁽⁵⁾⁽⁶⁾	P ⁽⁵⁾⁽⁶⁾	P ⁽⁵⁾⁽⁶⁾	P	P
Polypropylene (PP-R) pressure pipe	CSA B137.11	2.2.5.15.	N	N	N	N	N	P ⁽⁵⁾⁽⁶⁾	P ⁽⁵⁾⁽⁶⁾	P	P	P
Plastic sewer pipe PS ≥ 320 kPa	CSA B182.1	2.2.5.10.	N	P	P	N	N	N	N	N	N	N
Acrylonitrile-butadiene-styrene (ABS) DWV pipe	CSA B181.1	2.2.5.10.	P ⁽⁵⁾⁽⁶⁾	P	P	P ⁽⁵⁾⁽⁶⁾	P	P	N	N	N	N
ABS Schedule 40 DWV pipe with a cellular core	ASTM F 628	2.2.5.11.	P ⁽⁵⁾⁽⁶⁾	P	P	P ⁽⁵⁾⁽⁶⁾	P	P	N	N	N	N
Polyvinyl chloride (PVC) DWV pipe	CSA B181.2	2.2.5.10.	P ⁽⁵⁾⁽⁶⁾	P	P	P ⁽⁵⁾⁽⁶⁾	P	P	N	N	N	N
PVC sewer pipe (PSM type) ≤ 35-SDR	CSA B182.2	2.2.5.11.	N	P	P	N	P	P	N	N	N	N
Multilayer PVC sewer pipe (PSM type) having reprocessed-recycled content	CSA B182.7	2.2.5.10.(1)(h)	N	P	P	N	P	P	N	N	N	N
Profile polyvinyl chloride (PVC) sewer pipe PS ≥ 320 kPa	CSA B182.4	2.2.5.10.(1)(f)	N	P	P	N	P	P	N	N	N	N
Profile polyethylene sewer pipe PS ≥ 320 kPa	CSA B182.6	2.2.5.10.(1)(g)	N	P	P	N	P	P	N	N	N	N
Polyolefin laboratory drainage systems	CSA B181.3	2.2.8.1.	P ⁽⁵⁾⁽⁶⁾	P	P	P ⁽⁵⁾⁽⁶⁾	P	P	P ⁽⁵⁾⁽⁶⁾	P	N	N
Cast-iron soil pipe	CSA B70	2.2.6.1.	P	P	P	P	P	P	P	N	N	N
Cast-iron water pipe	ANSI/AWWA C151/A21.51 (Ductile iron)	2.2.6.4.	P	P	P	P	P	P	P	P	P	P

Table A-2.2.5, 2.2.6. and 2.2.7. (Continued)

Type of Piping	Standard References	NPC References	Use of Piping ⁽¹⁾											
			Drainage System			Venting System		Potable Water System						
			Above-ground inside building	Under-ground under building	Building sewer	Above-ground	Under-ground	Above-ground	Cold	Hot	Under building	Outside building		
Cast-iron screwed fittings	ANSI/ASME B16.4 (Cast iron)	2.2.6.5.	N	N	N	N	N	P	P	P	P	P	P	P
Welded and seamless steel galvanized pipe	ANSI/ASME B16.3 (Malleable iron)	2.2.6.6.	N	N	N	N	N	P	P	P	P	P	P	P
Corrugated steel galvanized pipe	ASTM A 53/A 53M	2.2.6.7.	P	N	N	N	P	P ⁽⁹⁾	P ⁽⁹⁾	P ⁽⁹⁾	P ⁽⁹⁾	P ⁽⁹⁾	P ⁽⁹⁾	P ⁽⁹⁾
Sheet metal pipe ⁽¹¹⁾	CSA G401	2.2.6.8.	N	N	P ⁽¹⁰⁾	N	N	N	N	N	N	N	N	N
Copper and brass pipe	ASTM B 42 (Copper)	2.2.6.9.	N	N	N	N	N	N	N	N	N	N	N	N
Brass or bronze threaded water fittings	ASTM B 43 (Red brass)	2.2.7.1.	P	P	P	P	P	P	P	P	P	P	P	P
Copper tube	ANSI/ASME B16.15	2.2.7.3.	N	N	N	N	N	N	N	N	P	P	P	P
Types K and L hard temper	ASTM B 88	2.2.7.4.	P	P	P	P	P	P	P	P	P	P	P	N
Types K and L soft temper	ASTM B 88	2.2.7.4.	N	N	N	N	N	N	N	N	P	P	P	P
Type M hard temper	ASTM B 88	2.2.7.4.	P	N	N	N	P	P	P	N	P	P	N	N
Type M soft temper	ASTM B 88	2.2.7.4.	N	N	N	N	N	N	N	N	N	N	N	N
Type DWV	ASTM B 306	2.2.7.4.	P ⁽¹²⁾	N	N	N	P ⁽¹²⁾	P ⁽¹²⁾	P ⁽¹²⁾	N	N	N	N	N
Solder-joint drainage fittings	ANSI/ASME B16.23	2.2.7.5.	P	P	P	P	P	P	P	P	N	N	N	N
Solder-joint water fittings	ANSI/ASME B16.29	2.2.7.6.	N	N	N	N	P	P	P	P	P	P	P	P
Lead waste pipe	ASME B16.18	2.2.7.8.	P ⁽⁵⁾⁽⁶⁾	P	N	N	P ⁽⁵⁾⁽⁶⁾	P ⁽⁵⁾⁽⁶⁾	P ⁽⁵⁾⁽⁶⁾	P ⁽⁵⁾⁽⁶⁾	N	N	N	N
N = Not permitted P = Permitted														

Notes to Table A-2.2.5, 2.2.6. and 2.2.7.:

(1) Where fire stops are pierced by pipes, the integrity of the fire stop must be maintained.

Table A-2.2.5, 2.2.6. and 2.2.7. (Continued)

- (2) Cold water only.
- (3) Gasketed joints required.
- (4) Permitted only for water service pipe.
- (5) Combustible piping in noncombustible construction is subject to the requirements of Sentence 3.1.5.16.(1) of Division B of the NBC.
- (6) Combustible piping that penetrates a fire separation is subject to the requirements in Articles 3.1.9.1., 9.10.9.6. and 9.10.9.7. of Division B of the NBC.
- (7) Not permitted in hot water systems.
- (8) Not to exceed design temperature and design pressure stated in Sentence 2.2.5.9.(2).
- (9) Permitted only in buildings of industrial occupancy as described in the NBC, or for the repair of existing galvanized steel piping systems.
- (10) Permitted underground only in a storm drainage system.
- (11) Permitted only for an external leader.
- (12) Not permitted for the fixture drain or vent below the flood level rim of a flush-valve-operated urinal.

A-2.2.5.3.(3) Concrete Fittings. Concrete fittings fabricated on the site from lengths of pipe may have proven acceptable on the basis of past performance in some localities and their acceptance under this Code may be warranted.

A-2.2.5.6.(1) Polyethylene Pipe Used Underground. Joints within the high-density polyethylene pipe (HDPE) shall be heat-fused according to the manufacturer's instructions. Joints between HDPE pipes and other materials shall be made with a suitable hubless coupling.

A-2.2.5.7.(1) Crosslinked Polyethylene Pipe and Fittings. There are some special installation requirements for the use of crosslinked polyethylene pipe and its associated fittings. Reference should, therefore, be made to the installation information in CSA B137.5, "Crosslinked Polyethylene (PEX) Tubing Systems for Pressure Applications."

A-2.2.5.10. to 2.2.5.12. Solvent Cement. The CSA standards B137.6, "Chlorinated Polyvinylchloride (CPVC) Pipe, Tubing, and Fittings for Hot- and Cold-Water Distribution Systems," B181.1, "Acrylonitrile-Butadiene-Styrene (ABS) Drain, Waste, and Vent Pipe and Pipe Fittings," and B181.2, "Polyvinylchloride (PVC) and Chlorinated Polyvinylchloride (CPVC) Drain, Waste, and Vent Pipe and Pipe Fittings," reference ASTM standard D 3138, "Solvent Cements for Transition Joints Between Acrylonitrile-Butadiene-Styrene (ABS) and Poly(Vinyl Chloride) (PVC) Non-Pressure Piping Components," which specifies the colour of the solvent cement. PVC cement shall be grey, ABS cement shall be yellow, CPVC cement shall be clear and transition cement shall be white. The standard colour allows Code users to readily determine if the correct solvent cement has been used. It should be noted that a transition cement is not an all-purpose cement.

A-2.2.5.13.(1) Polyethylene/Aluminum/Polyethylene Composite Pipe and Fittings. There are some special installation requirements for the use of polyethylene/aluminum/polyethylene composite pipe and fittings. Reference should, therefore, be made to the installation information in CSA B137.9, "Polyethylene/Aluminum/Polyethylene (PE-AL-PE) Composite Pressure-Pipe Systems."

A-2.2.5.14.(1) Crosslinked Polyethylene/Aluminum/Crosslinked Polyethylene Composite Pressure Pipe and Fittings. There are some special installation requirements for the use of crosslinked polyethylene/aluminum/crosslinked polyethylene composite pipe and fittings. Reference should, therefore, be made to the installation information in CSA B137.10, "Crosslinked Polyethylene/Aluminum/Crosslinked Polyethylene (PEX-AL-PEX) Composite Pressure-Pipe Systems."

A-2.2.5.15.(1) Polypropylene Pipe and Fittings. There are some special installation requirements for the use of polypropylene pipe and fittings. Reference should, therefore, be made to the installation information in CSA B137.11, "Polypropylene (PP-R) Pipe and Fittings for Pressure Applications."

A-2.2.6.7.(3) Galvanized Steel Pipe. The use of galvanized steel pipe and fittings in a water distribution system may have proven acceptable on the basis of past performance in some localities and its acceptance under this Code may be warranted.

A-2.2.10.5.(1) Saddle Hubs or Fittings. Saddle hubs or fittings may have proven acceptable on the basis of past performance in some localities and their acceptance under this Code may be warranted.

A-2.2.10.7. Hot Water Temperature. ★ Hot water delivered at 60°C will severely burn human skin in 1 to 5 seconds. At 49°C, the time for a full thickness scald burn to occur is 10 minutes. Children, the elderly and persons with disabilities are particularly at risk of scald burns. Compliance with Article 2.2.10.7. will reduce the risk of scalding in showers and bathtubs, and reduce the risk of thermal shock from wall-mounted shower heads.

These requirements apply to all occupancies, not just residential occupancies.

The water outlet temperature at other fixtures, such as lavatories, sinks, laundry trays or bidets, is not addressed by Article 2.2.10.7., but a scald risk may exist at such fixtures nonetheless.

A-2.2.10.9.(3) Bubblers. Bubblers installed on other than drinking fountains may have proven acceptable on the basis of past performance in some localities and their acceptance under this Code may be warranted.

A-2.2.10.16.(1) Air Admittance Valve. An air admittance valve is a device that is closed by gravity and seals the vent terminal at zero differential pressure (no flow conditions) and under positive internal pressures. The valve allows air to enter the drainage system without the use of a vent extended to outside air and prevents sewer gases from leaking into the building.

The material of the diaphragm can be damaged by exposure to acidic or corrosive fumes in the ambient atmosphere; therefore, air admittance valves should not be installed in locations where there is a potential for exposure to such fumes.

A-2.3.2.6.(1) Mechanical Joints. Storm sewer blockage can cause mechanical joints at the base of leaders to fail, which results in flooding. The failure occurs because the cleanout joints at the base of the rainwater leaders are not able to withstand the water column pressure. To avoid such failures, it is necessary to ensure that storm water systems installed using mechanical joints be braced and/or restrained at the ends of branches, changes in direction and elevation, at dead ends and at other locations as required by the manufacturer to prevent the separation of joints due to internal pressure, mechanical stress or seismic events. Care should be taken to replace cleanouts properly after maintenance or testing.

A-2.3.3.9. Linear Expansion.

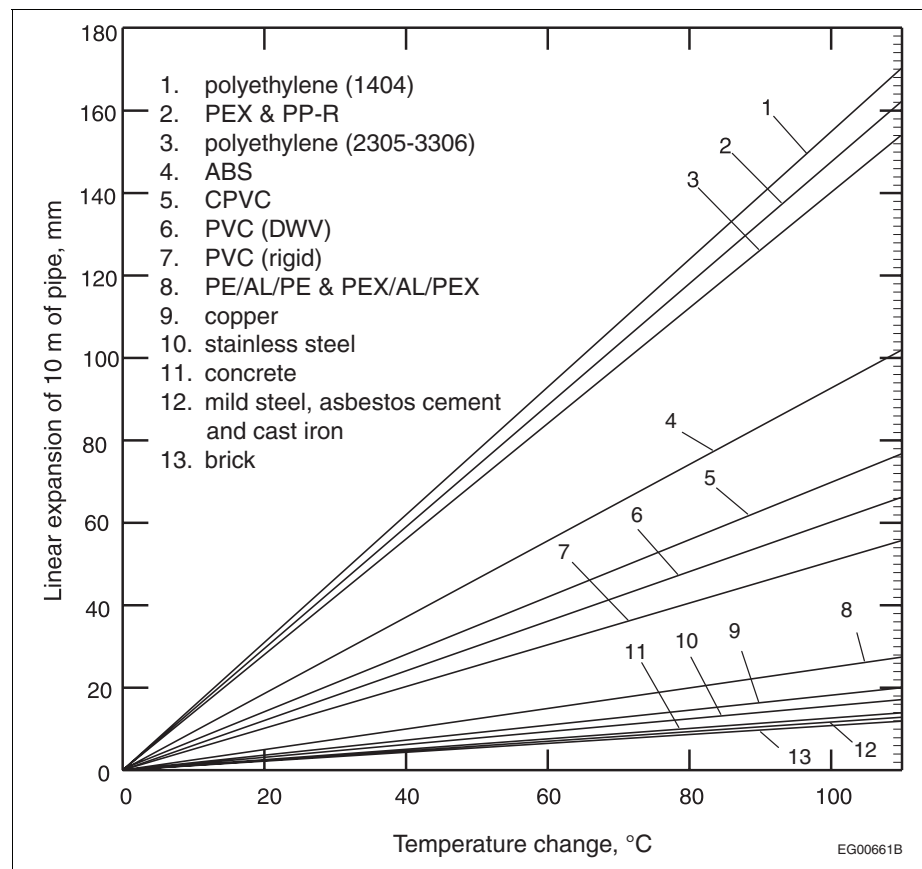


Figure A-2.3.3.9.
Linear Expansion

Example: To determine the expansion of 20 m of ABS pipe for a temperature change from 10°C to 60°C.
 Temperature change = 60 – 10 = 50°C,
 Enter the chart at 50°C, read up to ABS line, and then across to the mm scale = 47 mm/10 m of pipe,
 ∴ change in length of 20 m of pipe =

$$\frac{20}{10} \times 47 = 94 \text{ mm}$$

A-2.3.3.9.(1) Expansion and Contraction. Expansion and contraction in piping systems may be accommodated in a number of ways including, but not limited to, piping design and layout, material selection, and the inclusion of expansion joints.

A-2.3.3.11.(2) Air Break.

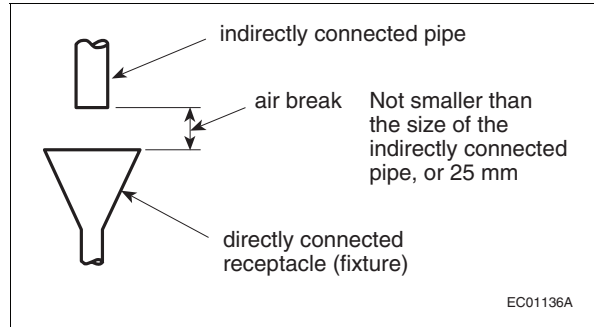


Figure A-2.3.3.11.(2)
Air Break

A-2.3.4.6.(1) Support for Underground Piping. See explanation for Subsection 2.3.5. for additional protection required for underground pipes. Permitted installations are shown in Figure A-2.3.4.6.(1)(a). The methods of support shown in Figure A-2.3.4.6.(1)(b) are not permitted because the base does not provide firm and continuous support for the pipe.

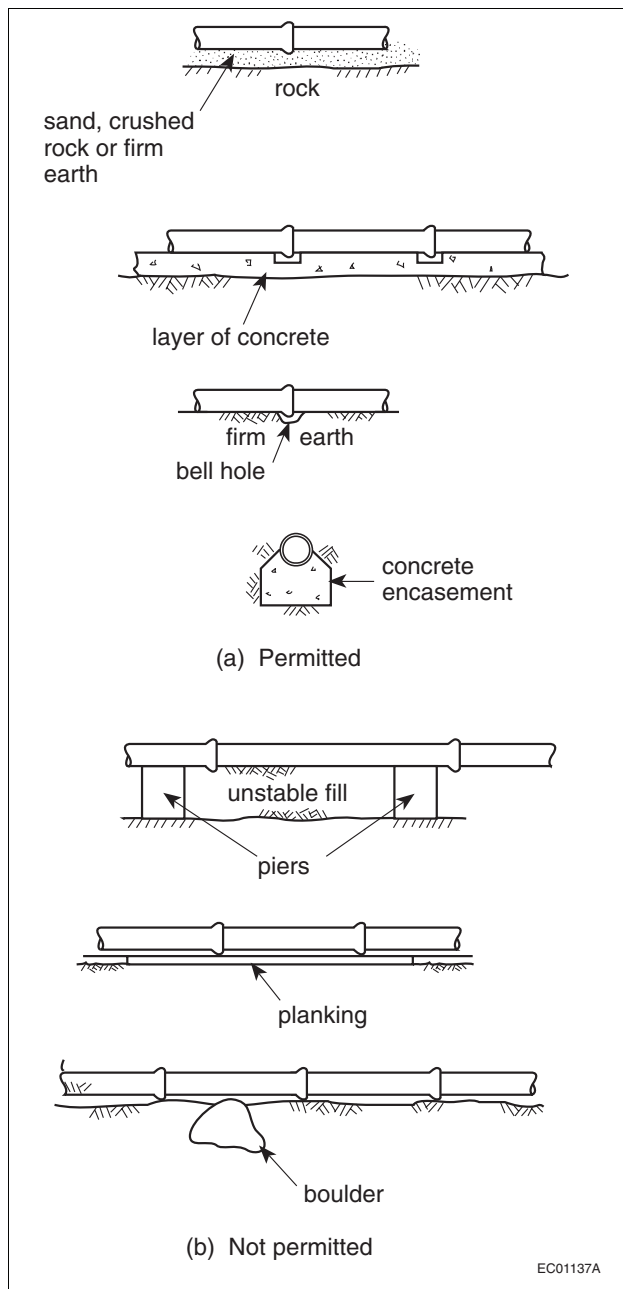


Figure A-2.3.4.6.(1)
Support for Underground Piping

A-2.3.5.1.(1) Backfilling of Pipe Trench. Stronger pipes may be required in deep fill or under driveways, parking lots, etc., and compaction for the full depth of the trench may be necessary.

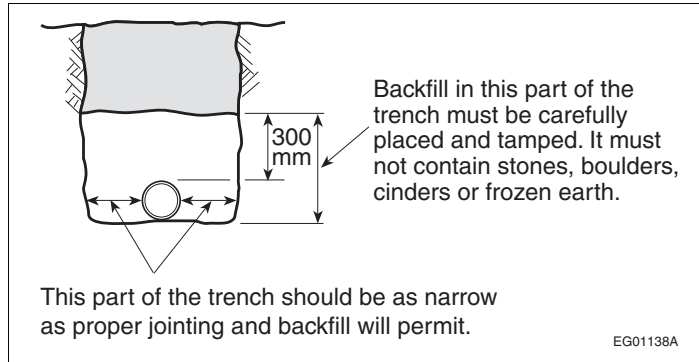


Figure A-2.3.5.1.(1)
Backfilling of Pipe Trench

A-2.3.5.2.(1) Protection of Underground Non-Metallic Pipes.

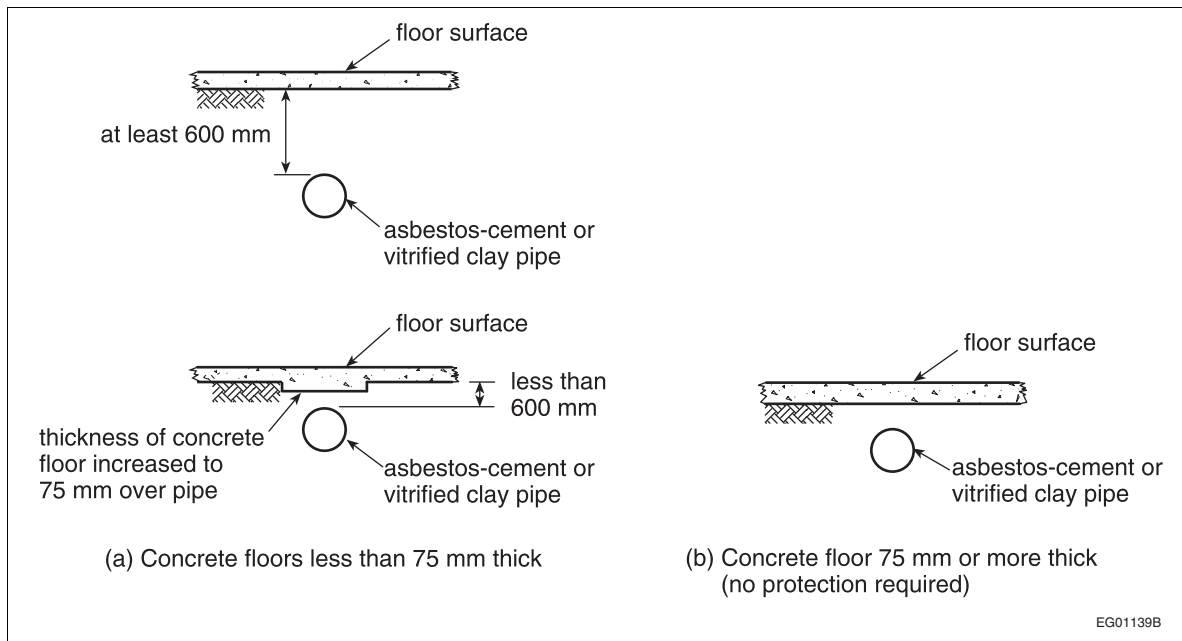


Figure A-2.3.5.2.(1)
Protection of Underground Non-Metallic Pipes

A-2.3.7.2.(2) Pressure-Testing of Potable Water Systems. The plastic piping manufacturer should be consulted to determine the appropriateness of using air to pressure-test the piping system.

A-2.4.2.1.(1)(a)(ii) and (e)(vi) Indirect Connections. See Sentence 2.4.5.1.(4) for trapping requirements for indirectly connected fixtures.

See Sentence 2.4.7.1.(9) for cleanouts on drip pipes for food receptacles or display cases.

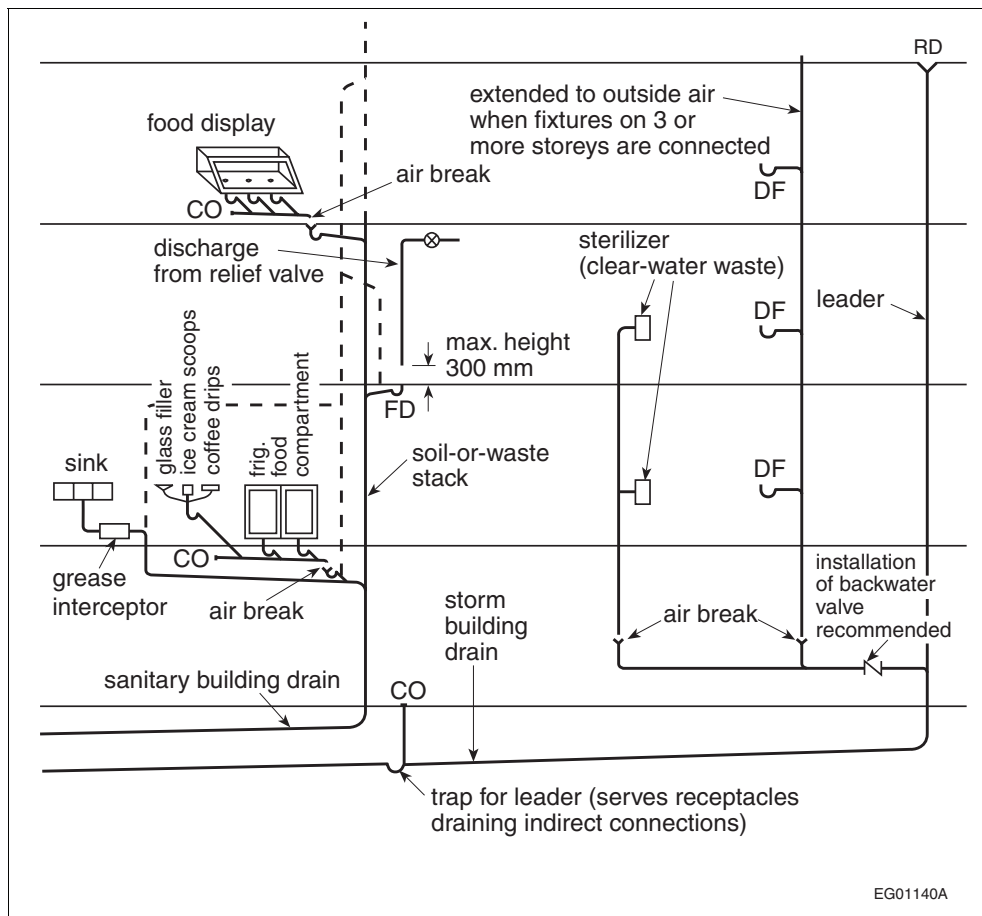


Figure A-2.4.2.1.(1)(a)(ii) and (e)(vi)
Indirect Connections

A-2.4.2.1.(2) Soil-or-Waste Pipe Connections.

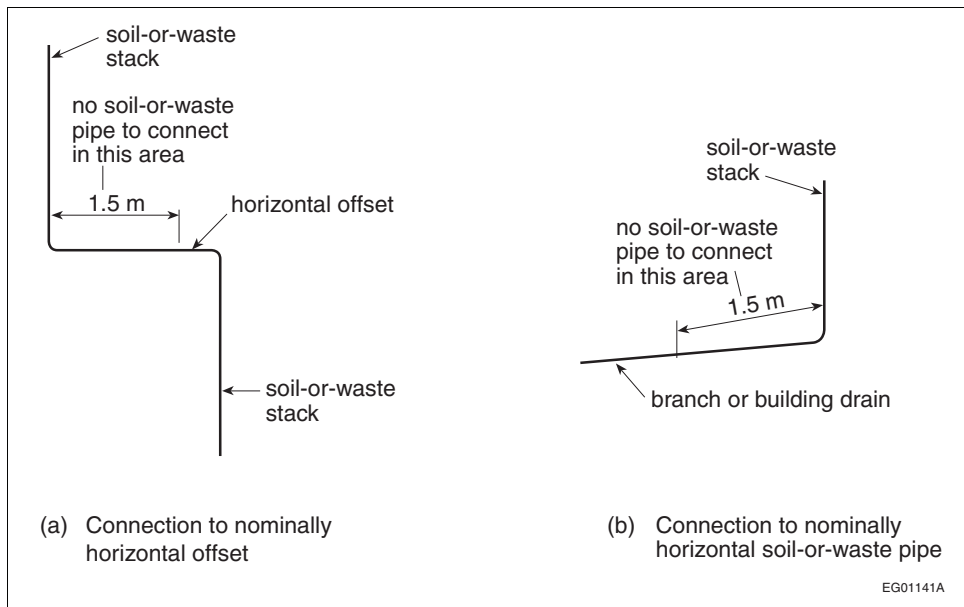


Figure A-2.4.2.1.(2)
Soil-or-Waste Pipe Connections

A-2.4.2.1.(4) Suds Pressure Zones. High sudsing detergents used in clothes washers produce suds that tend to disrupt the venting action of venting systems and can also spread through the lower portions of multi-storey drainage systems. The more turbulence, the greater the suds. One solution that avoids the creation of suds pressure zones involves connecting the suds-producing stack downstream of all other stacks and increasing the size of the horizontal building drain to achieve a greater flow of air and water. Using streamlined fittings, such as wyes, tends to reduce suds formation. Check valves or backwater valves in fixture outlet pipes have also been used to correct problem installations.

A-2.4.3.3.(1) Waste with Organic Solids. Equipment such as garbage grinders and potato peelers produces waste with organic solids. These devices reduce most waste into small-sized particles that will flow easily through the drainage system. However, if they are located upstream of the interceptor, the particles could block the interceptor.

A-2.4.4.3.(1) Grease Interceptors. Grease interceptors may be required when it is considered that the discharge of fats, oil or grease may impair the drainage system. Information on the design and sizing of grease interceptors can be found in ASPE Data Book, Volume 4, Chapter 8, Grease Interceptors.

A-2.4.4.4.(1) Bio-hazardous Waste. Chemically loaded and bio-hazardous wastes can be dangerous to private or public sewer systems and hazardous to people. The treatment of corrosive and acid waste is mandated by this Code. The treatment of chemically loaded effluents is usually regulated by sewage collecting and treatment authorities. The treatment of bio-hazardous waste should follow “good engineering practice,” such as that described in Laboratory Biosafety Guidelines published by Health Canada. It should be noted that bio-hazardous waste disposal systems require specific engineering expertise and remain outside the scope of this Code.

A-2.4.5.1.(2) Trapping of Sinks and Laundry Trays.

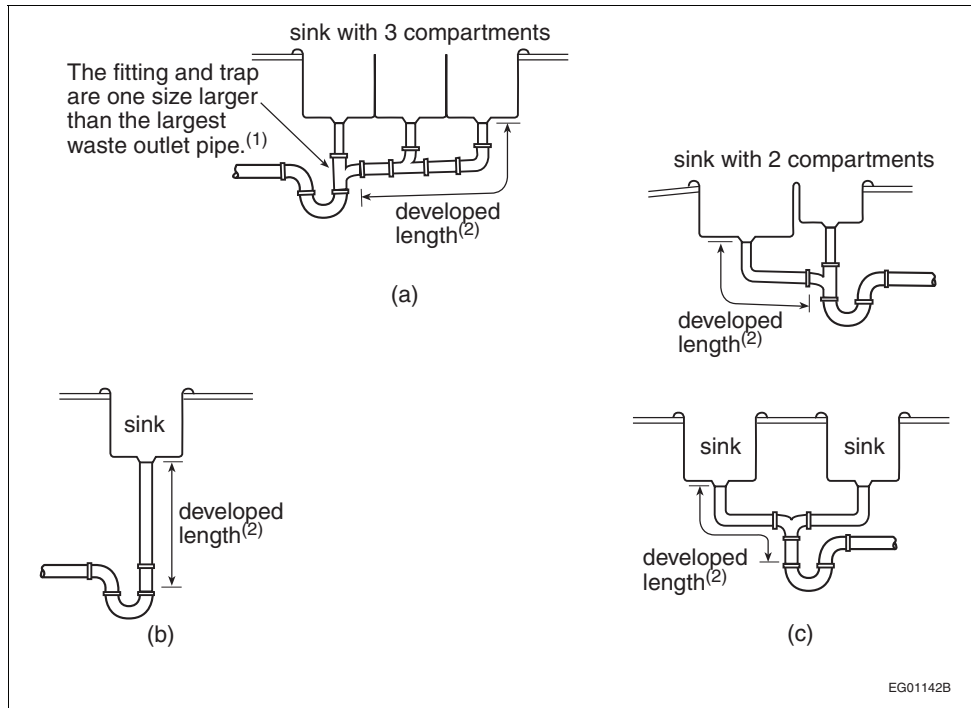


Figure A-2.4.5.1.(2)
Trapping of Sinks and Laundry Trays

Notes to Figure A-2.4.5.1.(2):

- (1) See Sentence 2.4.9.3.(2).
- (2) The developed length of the fixture outlet pipe shall not exceed 1 200 mm. See Article 2.4.8.2.

A-2.4.5.1.(3) Single Traps for Fixture Groups.

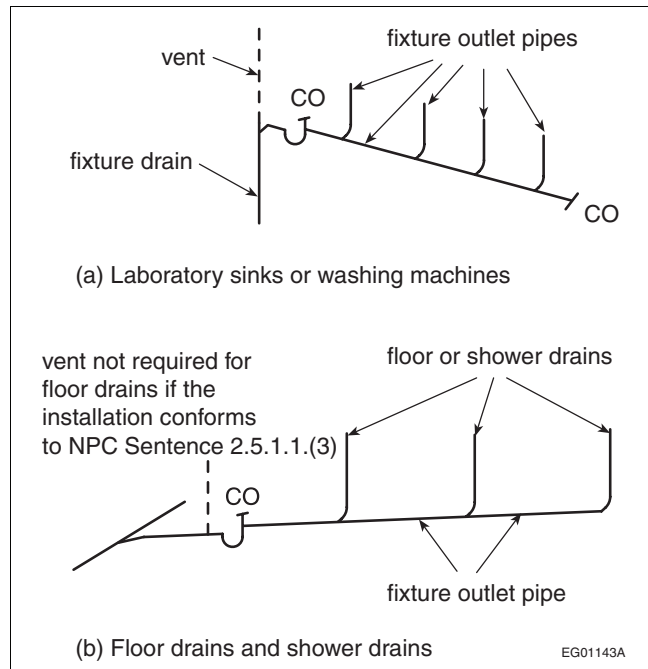


Figure A-2.4.5.1.(3)
Single Traps for Fixture Groups

A-2.4.5.1.(5) Location of Trap or Interceptor. An interceptor that replaces a trap must be vented in the same way as the trap it replaces. (See A-2.4.2.1.(1)(a)(ii) and (e)(vi).) Where an interceptor other than an oil interceptor serves a group of fixtures requiring more than one trap, each fixture must be properly trapped and vented. (See Article 2.5.5.2. for venting of oil interceptors.)

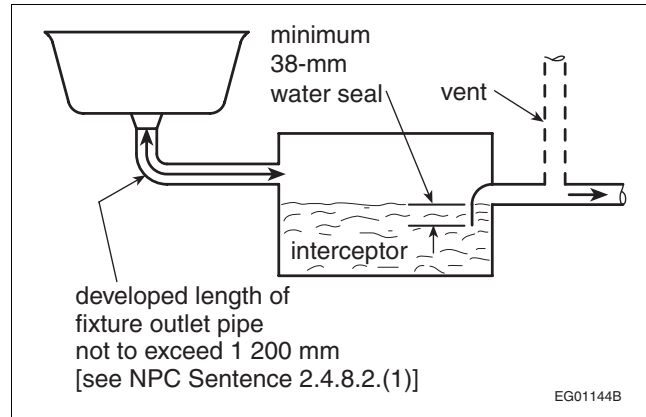


Figure A-2.4.5.1.(5)
Location of Trap or Interceptor

A-2.4.5.2.(1) Untrapped Leader. When an untrapped leader drains to a combined building sewer, clearance requirements are the same as for vent terminals. (See also A-2.5.6.5.(4).)

A-2.4.5.3.(1) Subsoil Drainage Connections. This Code does not regulate the installation of subsoil drainage pipes, but does regulate the connection of such pipes to the plumbing system. The intent of this Article is to place a trap between the subsoil drainage pipe and the sanitary drainage system. The cleanout must be installed in accordance with Sentence 2.4.7.1.(2). A trap or sump may be provided specifically for the subsoil drains, or advantage may be taken of the trap of a floor drain or storm water sump as shown in Figure A-2.4.5.3.(1).

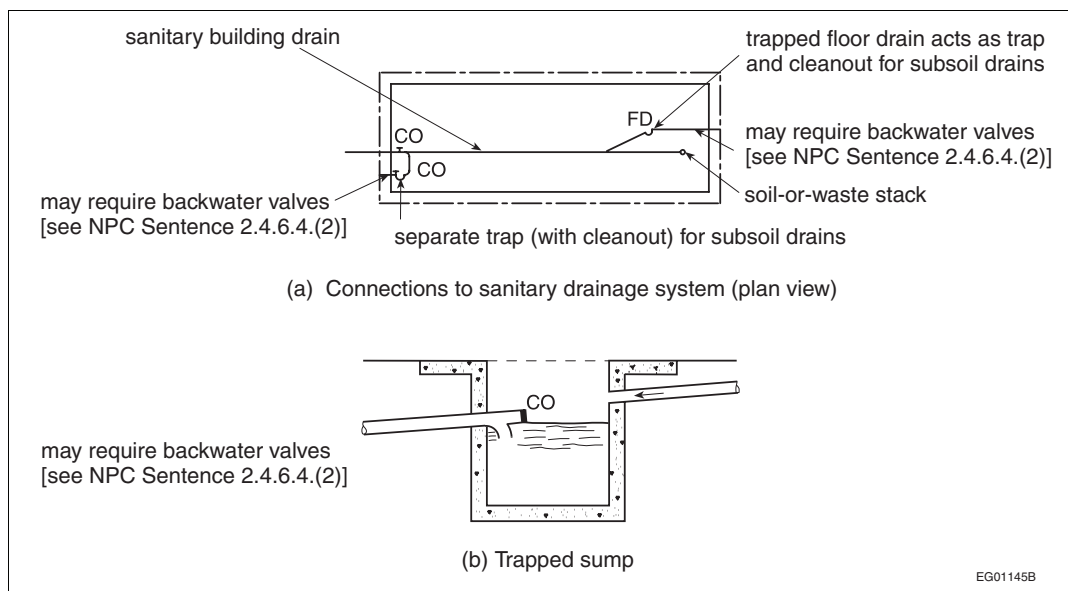


Figure A-2.4.5.3.(1)
Subsoil Drainage Connections

A-2.4.5.4.(1) Location of Building Traps.

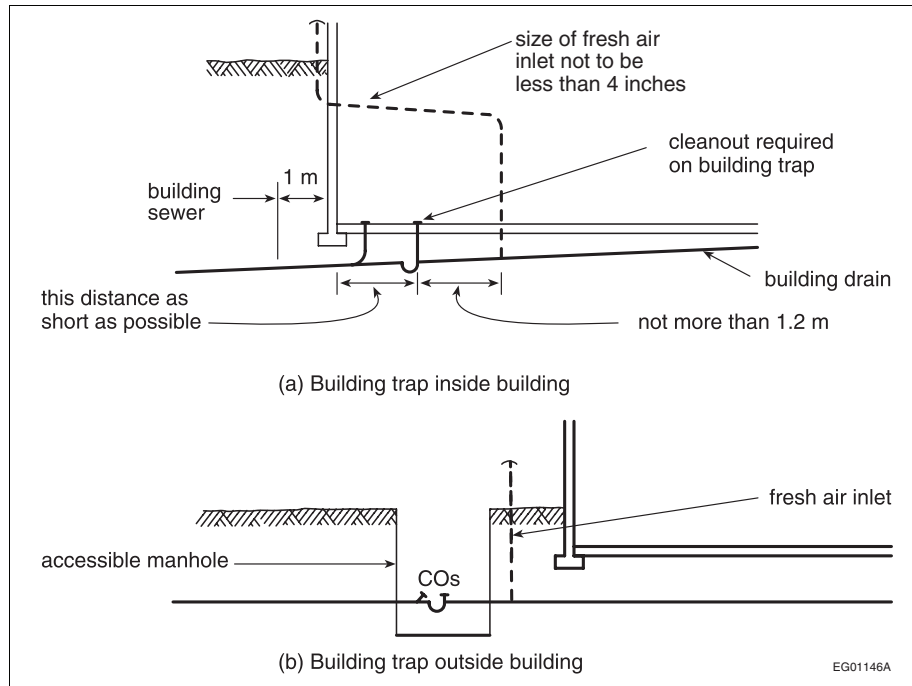


Figure A-2.4.5.4.(1)
Location of Building Traps

A-2.4.5.5.(1) Maintaining Trap Seals. Periodic manual replenishment of the water in a trap is considered to be an equally effective means of maintaining the trap seal in floor drains in residences. Under pressure differential conditions, special measures are necessary to maintain trap seals.

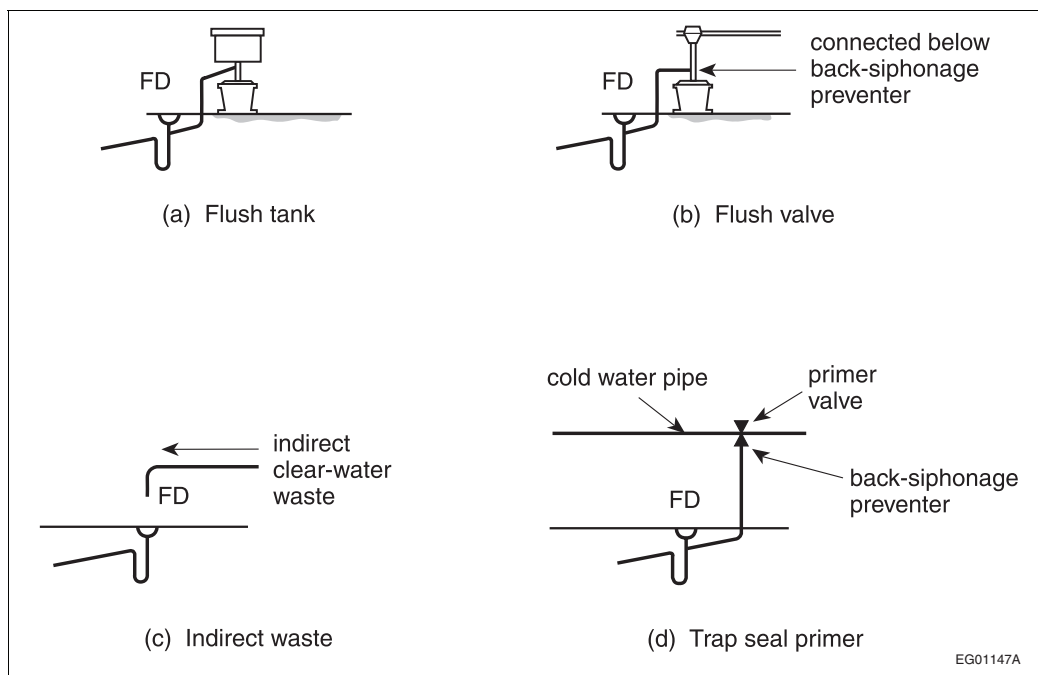


Figure A-2.4.5.5.(1)
Maintaining Trap Seals

A-2.4.6.3. Arrangement of Piping at Sump. In most installations, controls will be installed in conjunction with a float to automatically empty the sump. If such controls are not provided, the capacity of the sump should equal the maximum inflow to the sump that is expected to occur during any 24 h period.

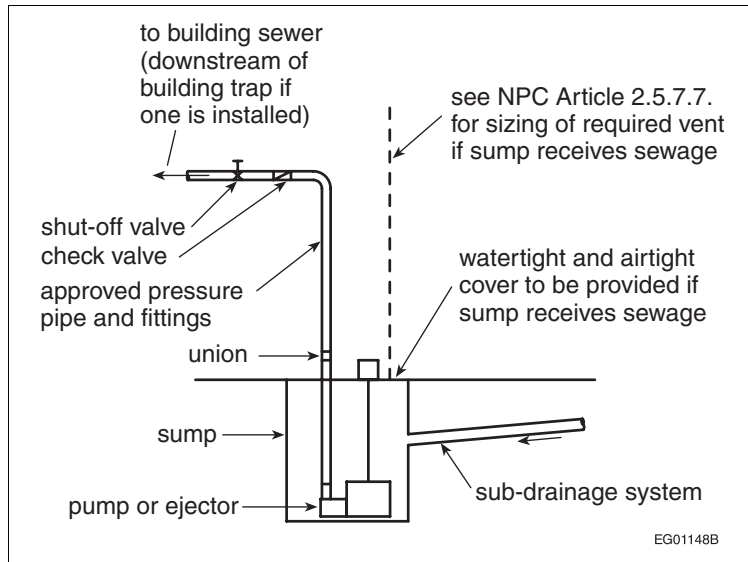


Figure A-2.4.6.3.
Arrangement of Piping at Sump

A-2.4.6.4.(1) Backwater Valve or Gate Valve. The installation of a backwater valve or a gate valve in a building drain or in a building sewer may have proven acceptable on the basis of past performance in some localities, and their acceptance under this Code may be warranted.

A-2.4.6.4.(6) Protection from Backflow Caused by Surge. These requirements are intended to apply when in the opinion of the authority having jurisdiction there is danger of backup from a public sewer.

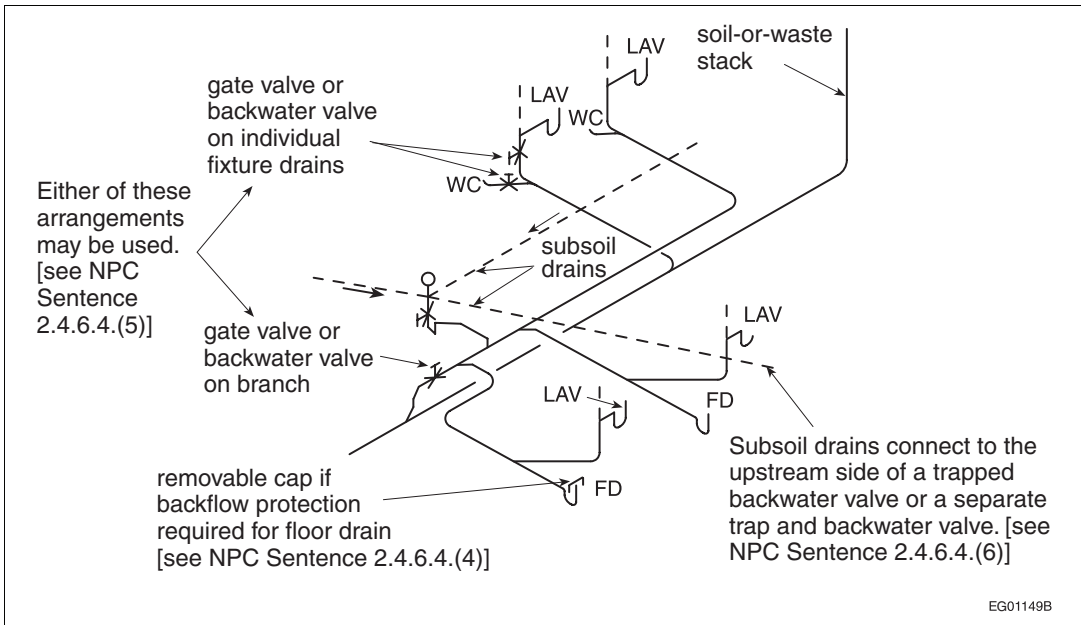


Figure A-2.4.6.4.(6)
Protection from Backflow Caused by Surge

A-2.4.7.1.(1) Cleanouts for Fixture Drains. A trap cleanout plug is not acceptable as a cleanout for the fixture drain; hence, either a separate cleanout or a trap with a removable trap dip must be installed.

A-2.4.7.1.(6) Cleanouts for Drainage Systems. To accommodate the limitations of sewer cleaning equipment, the cleanout should be located as close as possible to the exterior wall of the building, either inside or outside, and be accessible for sewer cleaning equipment.

A-2.4.7.1.(9) Cleanouts for Food Receptacle Drip Pipes.

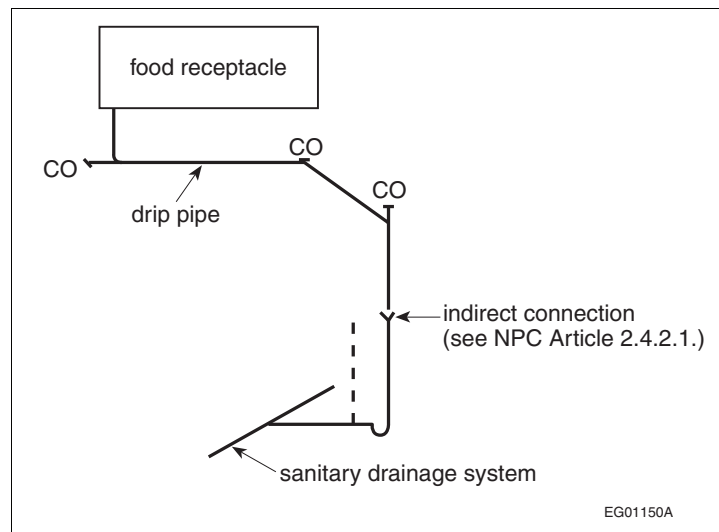


Figure A-2.4.7.1.(9)
Cleanouts for Food Receptacle Drip Pipes

A-2.4.8.1.(1) Minimum Slope. Although slopes below 1 in 100 are permitted for pipes over 4 inches, they should be used only where necessary. Steeper slopes and higher velocities will help to keep pipes clean by moving heavier solids that might tend to clog the pipes.

A-2.4.8.2.(1) Island Fixture Installation.

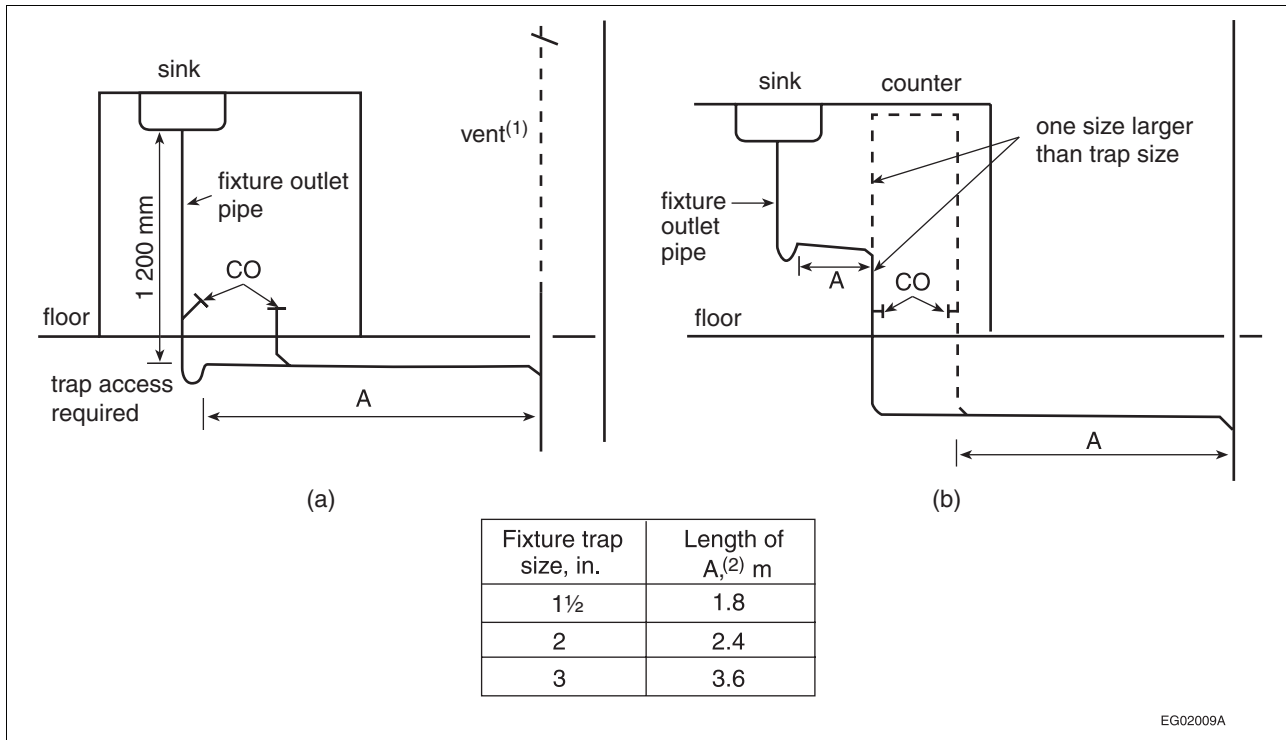


Figure A-2.4.8.2.(1)
Island Fixture Installation⁽³⁾

Notes to Figure A-2.4.8.2.(1):

- (1) Vent size to be in accordance with Article 2.5.6.3.
- (2) Length of A depends on trap size. Fall cannot exceed size.
- (3) See also Article 2.5.1.1.

A-Table 2.4.9.3. Hydraulic Loads for Laundry Traps and Floor Drains. When determining the hydraulic load on a pipe, no allowance need be made for a load from a domestic clothes washer when discharged to a laundry tray since the hydraulic load from the laundry tray is sufficient. Also no hydraulic load is required from a floor drain in a washroom since it is for emergency use only.

A-2.4.9.3.(2) Continuous Wastes. Fixture outlet pipes that are common to 2 or 3 compartments or fixtures are sometimes referred to as continuous wastes and are not considered to be branches. (See also A-2.4.5.1.(2).)

A-2.4.9.3.(3) Standpipe Illustration.

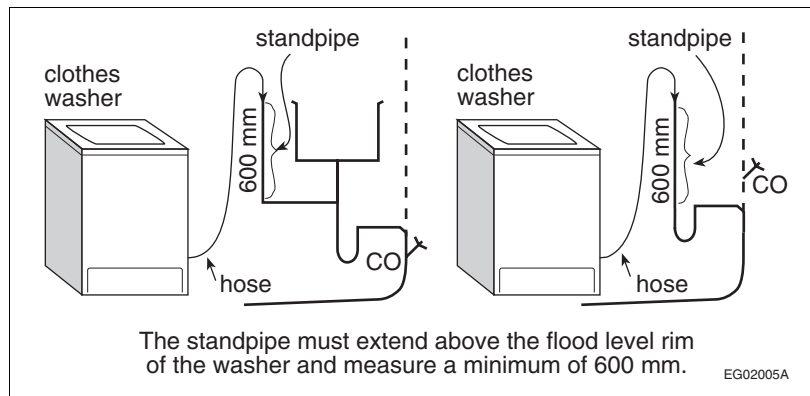


Figure A-2.4.9.3.(3)
Standpipe Installation for Clothes Washers

A-2.4.10. Determination of Hydraulic Loads and Drainage Pipe Sizes.

Hydraulic Loads

The hydraulic load that is imposed by a fixture is represented by a factor called a fixture unit. Fixture units are dimensionless and take into account the rate of discharge, time of discharge and frequency of discharge of the fixture.

Confusion often arises when attempts are made to convert fixture units to litres per second because there is no straightforward relationship between the two. The proportion of the total number of fixtures that can be expected to discharge simultaneously in a large system is smaller than in a small system. For example, doubling the number of fixtures in a system will not double the peak flow that the system must carry, although of course the flow will be increased somewhat. Figure A-2.4.10.-A shows the relationship that was used in constructing the tables of capacities of stacks, branches, sanitary building drains and sanitary building sewers (Tables 2.4.10.6.A. to 2.4.10.6.C.).

Although the curve in Figure A-2.4.10.-A was used to prepare the Code tables, it was not included in the National Plumbing Code. Instead, a single approximate conversion factor is given in the Code so that a continuous flow from a fixture may be converted from litres per second to fixture units in order to determine the total hydraulic load on the sanitary drainage system. The conversion factor, which is given in Sentence 2.4.10.3.(1), is 31.7 fixture units per litres per second. The discharge from a continuous flow fixture in litres per second when multiplied by 31.7 gives the hydraulic load in fixture units, and that load is added to the fixture unit load from other fixtures to give the total load that the sanitary drainage pipe must carry.

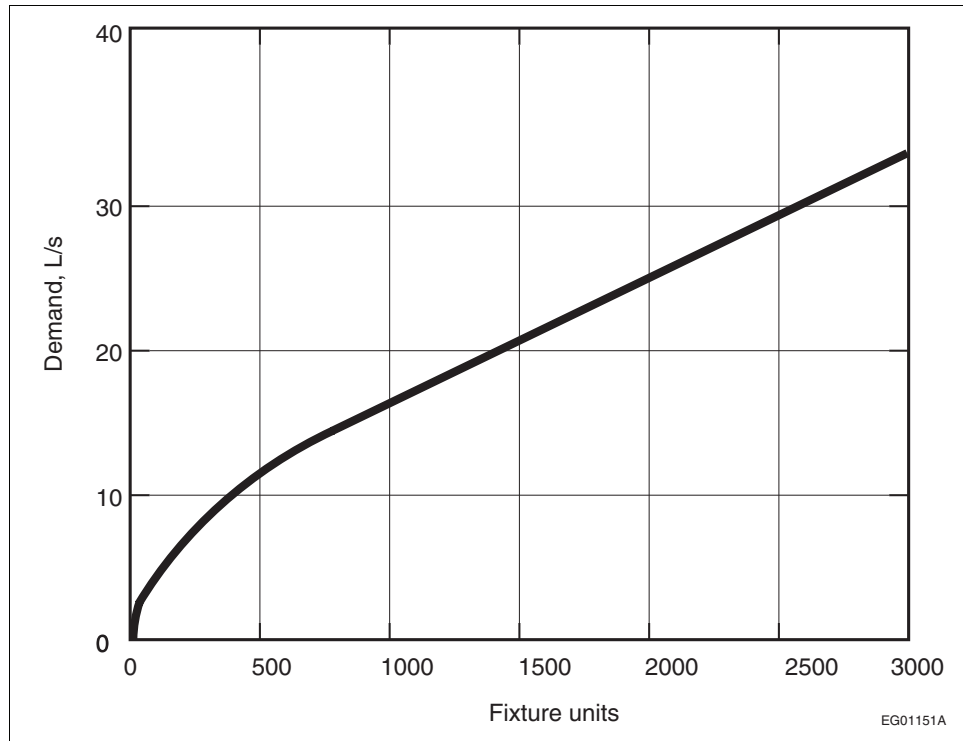


Figure A-2.4.10-A
Relationship between Fixture Units and Demand

The hydraulic load that is produced by storm water runoff depends both on the size of the area that is drained and local rainfall intensity. The capacities of storm drainage pipes and combined sewers in Tables 2.4.10.9., 2.4.10.10. and 2.4.10.11. have been expressed in terms of the number of litres that they can carry when the local rainfall intensity is 1 mm in 15 min. The hydraulic load for a particular location is obtained by simply multiplying the rainfall intensity figure given in Appendix C of Division B of the NBC by the actual area drained as specified in Sentence 2.4.10.4.(1).

In the case of restricted-flow drains, the hydraulic load from storm water runoff must be calculated using manufacturer discharge flow rates of specific drains in the case of roofs, and water-flow restrictors in the case of paved areas.

When plumbing fixtures are connected to a combined sewer, the hydraulic load from the fixtures must be converted from fixture units to litres or, in the case of continuous flow, from litres per second to litres so that these loads can be added to the hydraulic loads from roofs and paved surfaces. As already pointed out, the relationship between fixture units and litres per second and, consequently, the relationship between fixture units and litres is not straightforward, and an approximate conversion factor has been adopted. The conversion factor given in Sentence 2.4.10.5.(1) is 9.1 L/fixture unit, except where the load is less than 260 fixture units in which case a round figure of 2 360 L is to be used. In the case of continuous-flow fixtures that are connected to combined sewers or storm sewers, the conversion factor given in Sentence 2.4.10.3.(2) is 900 L per L/s. This conversion factor is not an approximation but an exact calculation.

The conversion factors given in Sentences 2.4.10.3.(1) and 2.4.10.5.(1) are designed to convert in one direction only, and must not be used to convert from fixture units to litres per second in the one instance, nor from litres to fixture units in the other instance.

In summary, it should be noted that

- (a) in sanitary drainage systems, all hydraulic loads are converted to fixture units, and
- (b) in storm drainage systems or combined drainage systems, all hydraulic loads are converted to litres.

Procedure for Selecting Pipe Sizes

The following is an outline, with examples, of the procedures to be followed in determining the size of each section of drainage piping.

- (1) Sanitary drainage pipes, such as branches, stacks, building drains or building sewers:

- (a) Determine the load in fixture units from all fixtures except continuous-flow fixtures;
- (b) Determine the load in litres per second from all continuous-flow fixtures and multiply the number of litres per second by 31.7 to obtain the number of fixture units;
- (c) Add loads (a) and (b) to obtain the total hydraulic load on the pipe in fixture units; and
- (d) Consult the appropriate table from Tables 2.4.10.6.A., 2.4.10.6.B. or 2.4.10.6.C. to select the pipe size.

(Note that no pipe size may be smaller than that permitted in Subsection 2.4.9.)

- (2) Storm drainage pipes, such as gutters, leaders, horizontal pipes, building drains or building sewers:
 - (a) Determine the area in square metres of roofs and paved surfaces according to Sentence 2.4.10.4.(1);
 - (b) Determine the local rainfall intensity (15 min rainfall) from Appendix C of Division B of the NBC;
 - (c) Multiply (a) by (b) to obtain the hydraulic load in litres;
 - (d) If a fixture discharges a continuous flow to the storm system, multiply its load in litres per second by 900 to obtain the hydraulic load in litres;
 - (e) If flow control roof drains are used, compute the discharge rate based on rain intensity, retention duration, accumulation height and roof area from the roof drain manufacturers' data;
 - (f) Add loads (c) or (e), and (d) to obtain the total hydraulic load on the pipe in litres; and
 - (g) Consult the appropriate table from Tables 2.4.10.9., 2.4.10.10. or 2.4.10.11. to select the pipe or gutter size.

(Note that no pipe may be smaller than that permitted in Subsection 2.4.9.)

- (3) Combined drainage pipes, such as building sewers:
 - (a) Determine the total load in fixture units from all fixtures except continuous-flow fixtures;
 - (b) If the fixture unit load exceeds 260, multiply it by 9.1 to determine the equivalent hydraulic load in litres. If the fixture unit load is 260 or fewer fixture units, the hydraulic load is 2 360 L;
 - (c) Obtain the hydraulic load from roofs and paved surfaces in the same manner as for storm drains (see 2(a), (b), (c) and (e));
 - (d) Obtain the hydraulic load in litres from any continuous-flow source that is connected to the sanitary or storm drainage system in the same manner as for storm drainage pipes (see 2(d));
 - (e) Add hydraulic loads (b), (c) and (d) to obtain the total hydraulic load on the pipe in litres; and
 - (f) Consult Table 2.4.10.9. to select the pipe size.

(Note that no pipe may be smaller than that permitted in Subsection 2.4.9.)

Examples

Example 1: Determination of the size of storm drainage components for the building shown in Figures A-2.4.10.-B and A-2.4.10.-C

Step No. 1: Determine the hydraulic load from the roofs.

Area drained by gutter	= 162 m ²
Area drained by roof drain	= 230.4 m ²
If the local rainfall intensity is 25 mm:	
the load on the gutter (leader No. 2) is (25 × 162)	= 4 050 L
the load on the roof drain (leader No. 1) is (25 × 230.4)	= 5 760 L
If the local rainfall intensity is 15 mm:	
the load on the gutter (leader No. 2) is (15 × 162)	= 2 430 L
the load on the roof drain (leader No. 1) is (15 × 230.4)	= 3 456 L

Step No. 2: Determine the size of storm drainage components.

Using the appropriate hydraulic loads, the size of storm drainage components can be determined from Tables 2.4.10.9., 2.4.10.10. and 2.4.10.11. These values are tabulated in Table A-2.4.10. for rainfall intensities of 25 mm and 15 mm in 15 min.

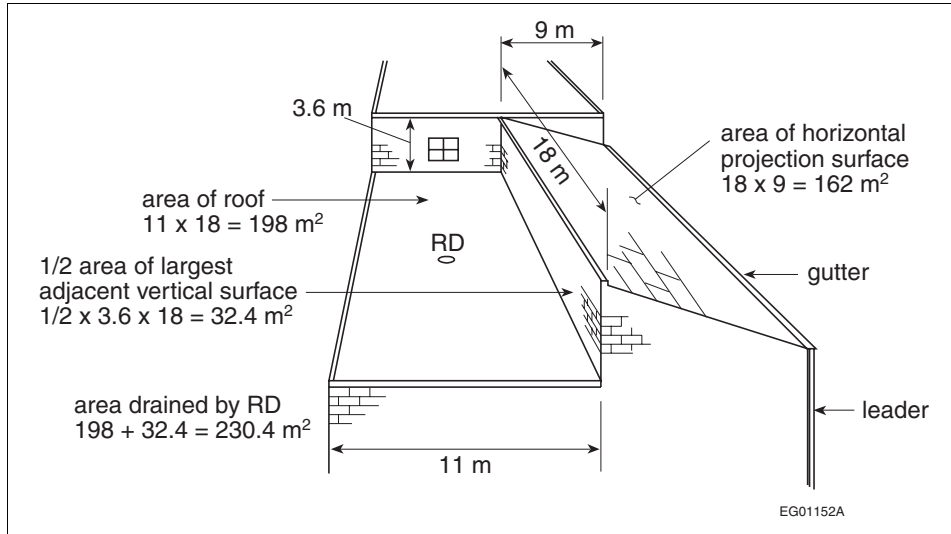


Figure A-2.4.10-B
Storm Drainage Areas (Example 1)

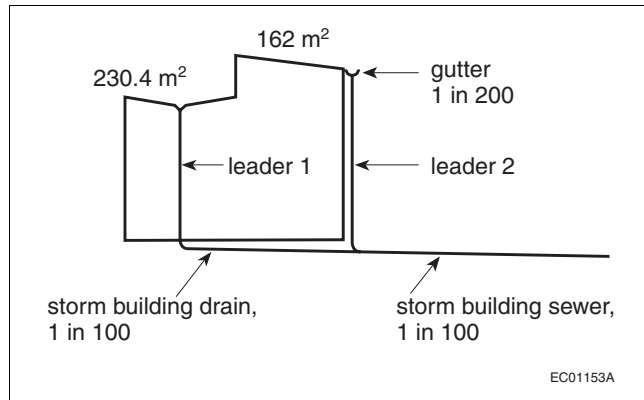


Figure A-2.4.10-C
Storm Drainage Components (Example 1) (Elevation View)

Table A-2.4.10.
Storm Drainage Pipe Sizes (Example 1)

	Area Drained, m ²	15 min Rainfall Intensity, mm				NPC Reference Table No.
		25		15		
		Hydraulic Load, L	Size, inches	Hydraulic Load, L	Size, inches	
Roof drain leader	230.4	5 760	4	3 456	3	2.4.10.11.
Gutter	162	4 050	8	2 430	7	2.4.10.10.
Gutter leader	162	4 050	3	2 430	2½	2.4.10.11.
Storm building drain	230.4	5 760	5	3 456	4	2.4.10.9.
Storm building sewer	395.8	9 895	6	5 936	5	2.4.10.9.

Example 2: Determination of the size of drainage pipes for buildings

Figure A-2.4.10.-D represents an office building with washrooms for men and women, a drinking fountain and cleaner’s closet on each typical floor. The equipment room with facilities is located in the basement. The building is 18 m by 30 m and is to be built in Kitchener, Ontario.

A. Hydraulic Load per Typical Floor

5 WC @ 6	=	30	fixture units
2 UR @ 1½	=	3	fixture units
4 LAV @ 1½	=	6	fixture units
2 FD @ 3	=	6	fixture units
1 FS @ 3	=	3	fixture units
1 DF @ 1	=	1	fixture unit
		49	fixture units

The reader is left to calculate the size of the branches, one of which must be 4 inches and another 3 inches (see Subsection 2.4.9.). Therefore the smallest part of the stack must be 4 inches.

B. Hydraulic Load on Stack

5 storeys @ 49 fixture units = 245 fixture units

Table 2.4.10.6.A. permits 4-inch pipe. Use 4-inch pipe.

C. Hydraulic Load on Basement Branch

1 WC @ 6	=	6	fixture units
1 LAV @ 1	=	1	fixture unit
2 FD @ 3	=	6	fixture units
1 FS @ 3	=	3	fixture units
Semi-continuous Flow			
0.23 L/s × 31.7	=	7	fixture units
		23	fixture units

Table 2.4.10.6.B. permits 3-inch pipe. Use 3-inch pipe.

D. Hydraulic Load on Building Drain

From soil-or-waste stack		245	fixture units
From basement branch		23	fixture units
		268	fixture units

Referring to Table 2.4.10.6.C., at a slope of 1 in 50, a 4-inch pipe will carry 240 fixture units.

Referring to Table 2.4.10.6.C., at a slope of 1 in 25, a 4-inch pipe will carry 300 fixture units.

For practical reasons, use a 4-inch pipe at a slope of not less than 1 in 32.

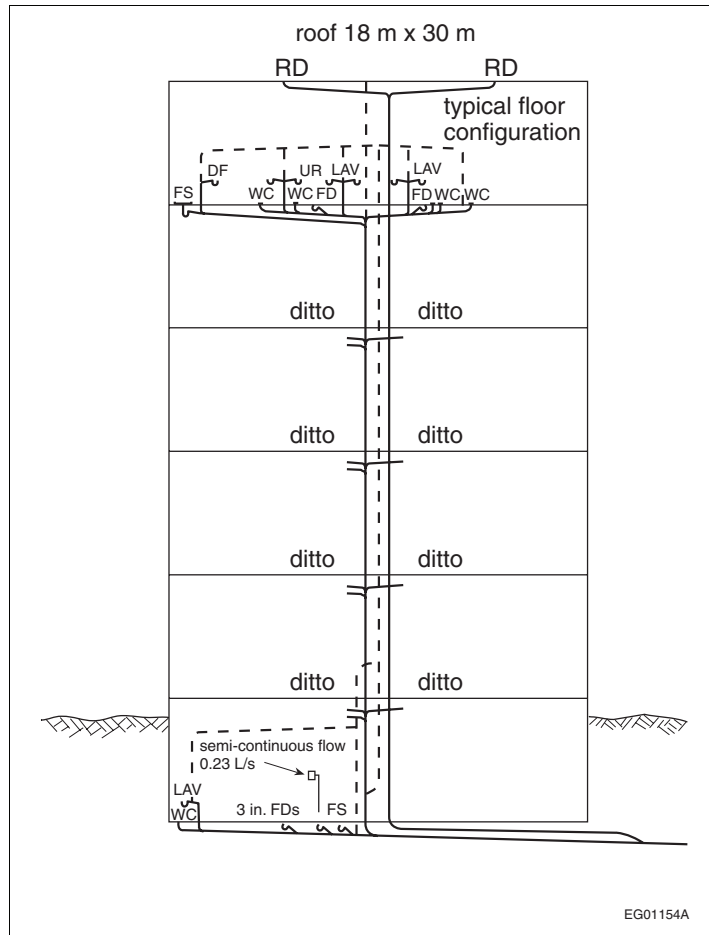


Figure A-2.4.10-D
Building Drainage System (Example 2)

E. Storm Load

Area of roof $18 \times 30 = 540 \text{ m}^2$

Rainfall intensity for Kitchener, taken from Appendix C of Division B of the NBC, is 28 mm in 15 min

Total hydraulic storm load = $28 \times 540 = 15\,120 \text{ L}$

Storm load on each roof drain = $15\,120 / 2 = 7\,560 \text{ L}$

F. Size of Horizontal Leaders

Referring to Table 2.4.10.9., at a slope of 1 in 25, a 4-inch pipe will carry a load of 8 430 L.

Referring to Table 2.4.10.9., at a slope of 1 in 100, a 5-inch pipe will carry a load of 7 650 L.

Referring to Table 2.4.10.9., at a slope of 1 in 133, a 6-inch pipe will carry a load of 10 700 L.

Therefore, use a 5-inch pipe at a slope of 1 in 100.

G. Size of Vertical Leader

Table 2.4.10.11. would permit a 5-inch pipe (19 500 L) but this size is not readily available. For practical reasons, use a 6-inch pipe.

H. Size of Storm Building Drains

Since a drainage pipe cannot be any smaller than any upstream pipes, the storm building drain must be at least 6 inches. Referring again to Table 2.4.10.9., a 6-inch pipe will carry a hydraulic load of 17 600 L at a slope of 1 in 50. Therefore use a 6-inch pipe at a slightly higher slope.

I. Size of Combined Building Sewer

- (a) Total sanitary load excluding semi-continuous flow 260 fixture units converted to litres (Clause 2.4.10.5.(1)(b)) $\times 9.1 = 2\,366\text{ L}$
- (b) Semi-continuous flow 0.23 L/s converted to litres (Sentence 2.4.10.3.(2)) $\times 900 = 207\text{ L}$
- (c) Storm load 15 120 L

Total hydraulic load 17 693 L

Referring to Table 2.4.10.9., at a slope of 1 in 50, a 6-inch pipe will carry 17 600 L.

Referring to Table 2.4.10.9., at a slope of 1 in 25, a 6-inch pipe will carry 24 900 L.

Therefore, use a 6-inch pipe at a slope of not less than 1 in 32.

A-2.4.10.4.(1) Rainfall Intensities. Climate information on rainfall intensities for various cities can be found in Appendix C of Division B of the NBC.

When calculating the hydraulic load from a roof or paved surface, it should be noted that a 1 mm depth of water on 1 m² of surface is equivalent to 1 L.

A-2.5.1.1.(3) Trapping of Floor Drains.

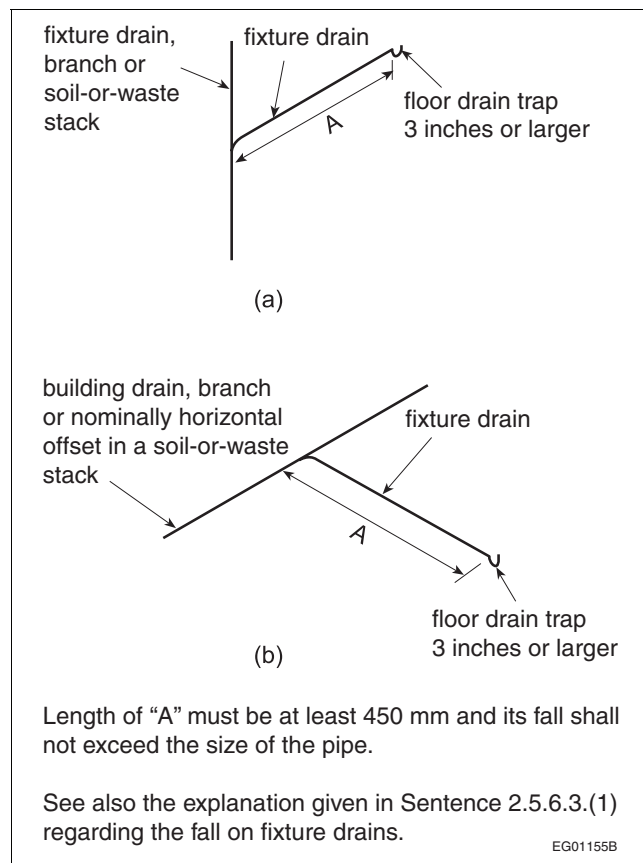


Figure A-2.5.1.1.(3)
Trapping of Floor Drains

A-2.5.1.1.(4) Venting not Required.

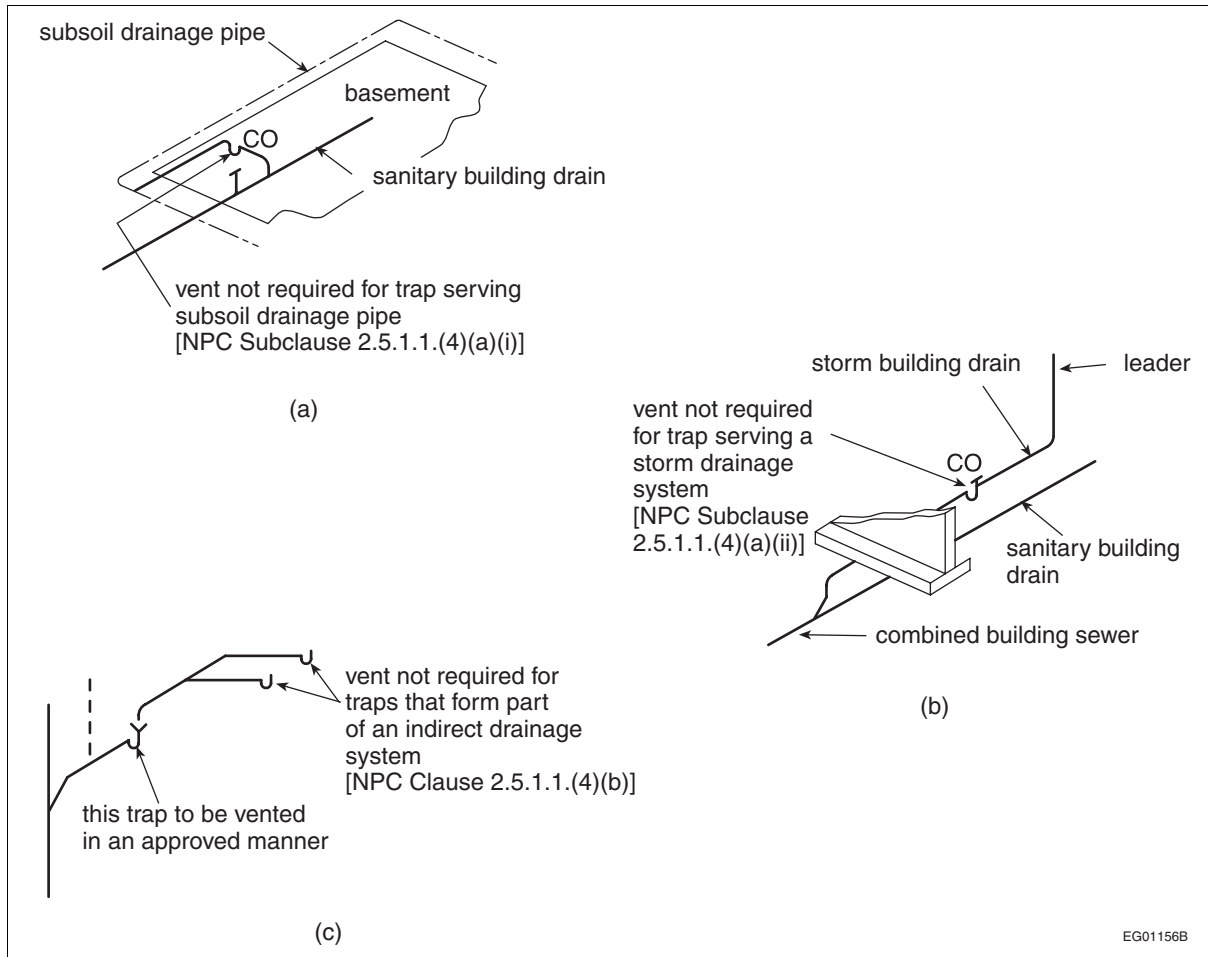


Figure A-2.5.1.1.(4)
Venting not Required

A-2.5.2.1. and 2.5.3.1. Wet Venting and Circuit Venting. Single-storey and multi-storey wet venting has been replaced with wet venting (Article 2.5.2.1.) and circuit venting (Article 2.5.3.1.).

The information and figures presented in this Appendix Note are examples of the most common installation practices that meet NPC requirements. However, the examples shown do not preclude other installations that would also conform to NPC requirements.

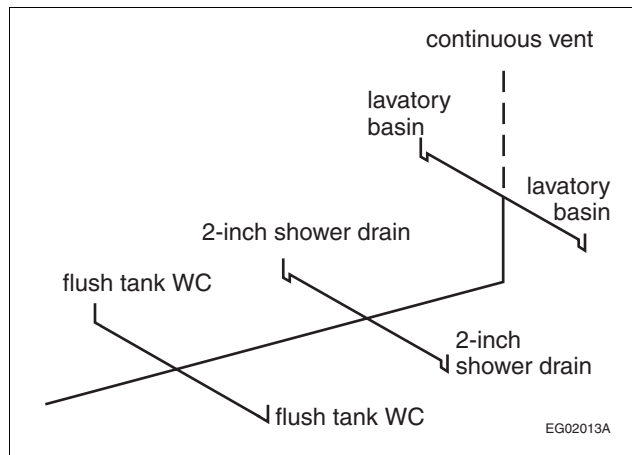


Figure A-2.5.2.1. and 2.5.3.1.-A
 Example of Wet Venting Described in Clause 2.5.2.1.(1)(b)

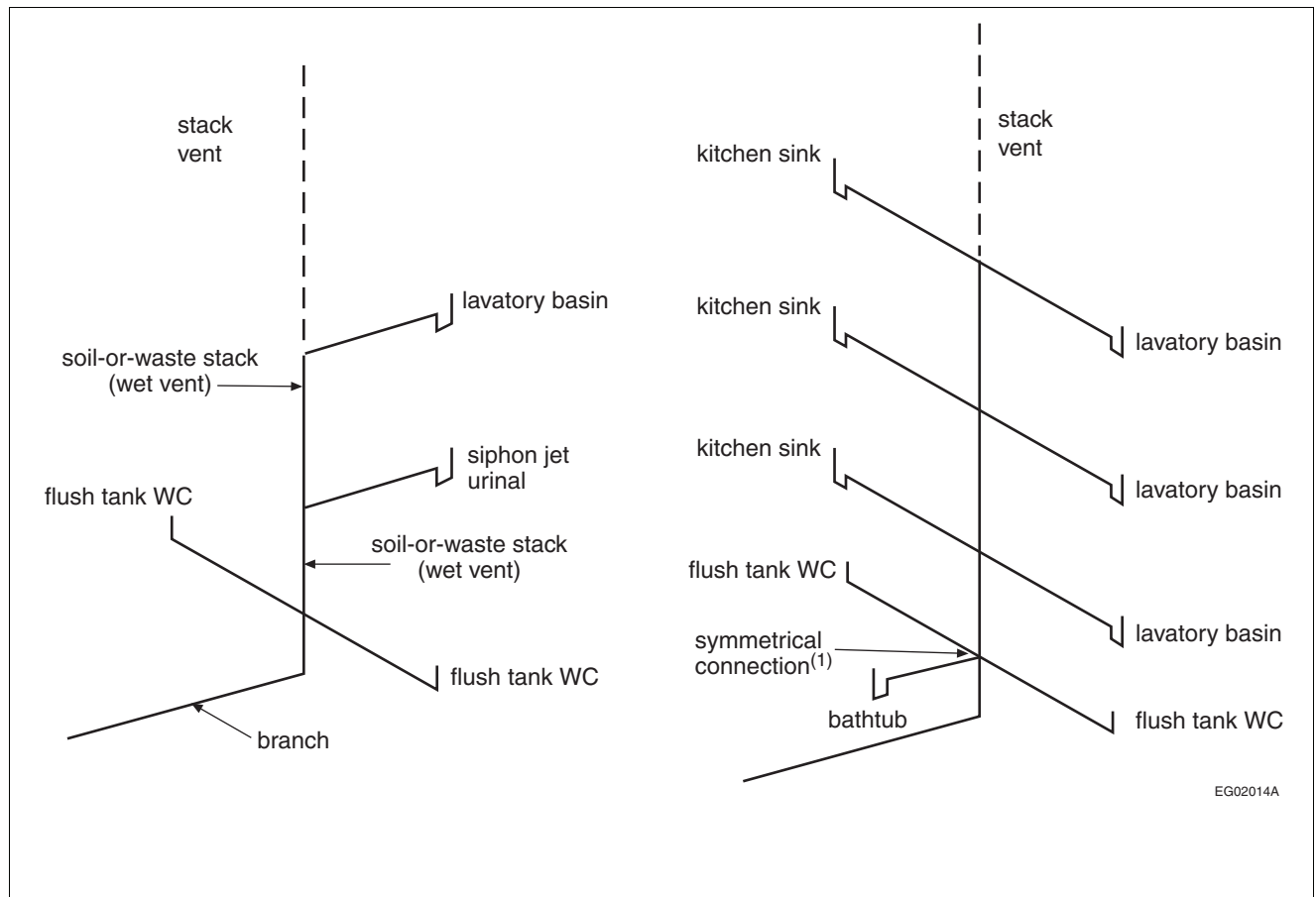


Figure A-2.5.2.1. and 2.5.3.1.-B
 Example of Wet Venting Described in Clause 2.5.2.1.(1)(c)

Note to Figure A-2.5.2.1. and 2.5.3.1.-B:

(1) A symmetrical connection is accomplished with a manufactured fitting that has two or more inlets and connects two or more waste lines to a vent or wet vent.

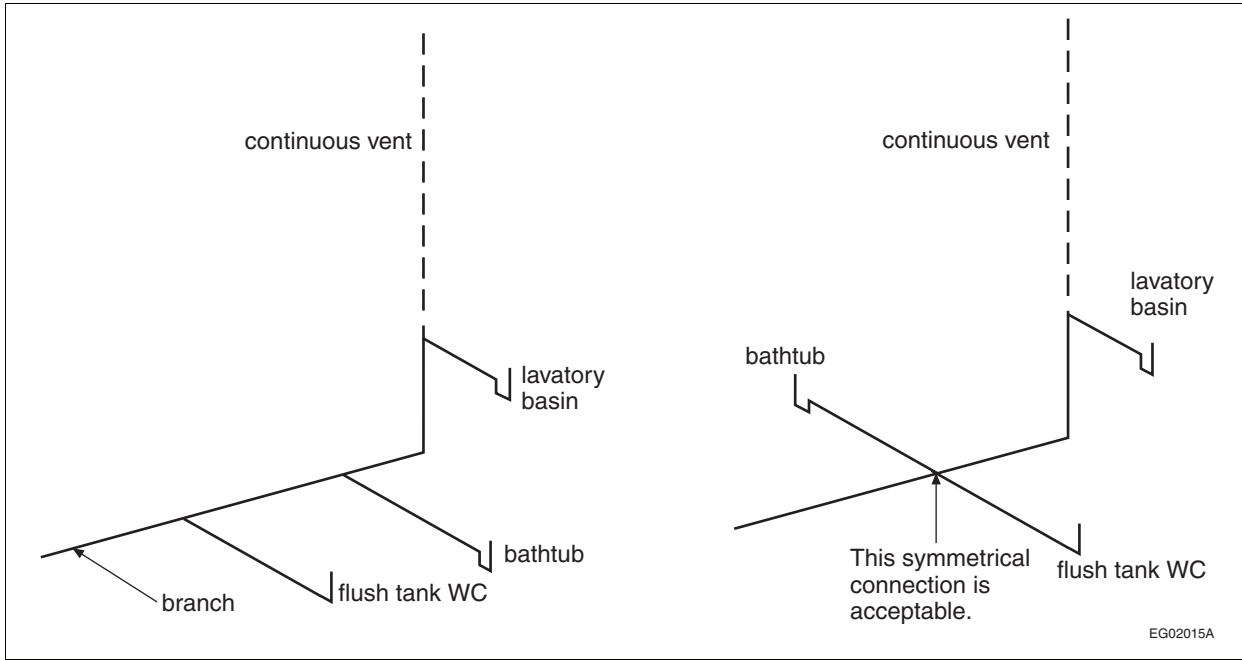


Figure A-2.5.2.1. and 2.5.3.1.-C
Example of Wet Venting Described in Clause 2.5.2.1.(1)(d)

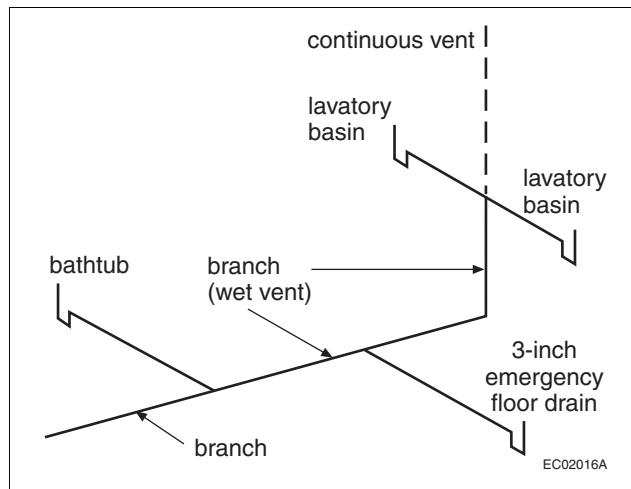


Figure A-2.5.2.1. and 2.5.3.1.-D
Example of Wet Venting Described in Clause 2.5.2.1.(1)(e)

Copyright © NRC 1941 - 2019 World Rights Reserved © CNRC 1941-2019 Droits réservés pour tous pays

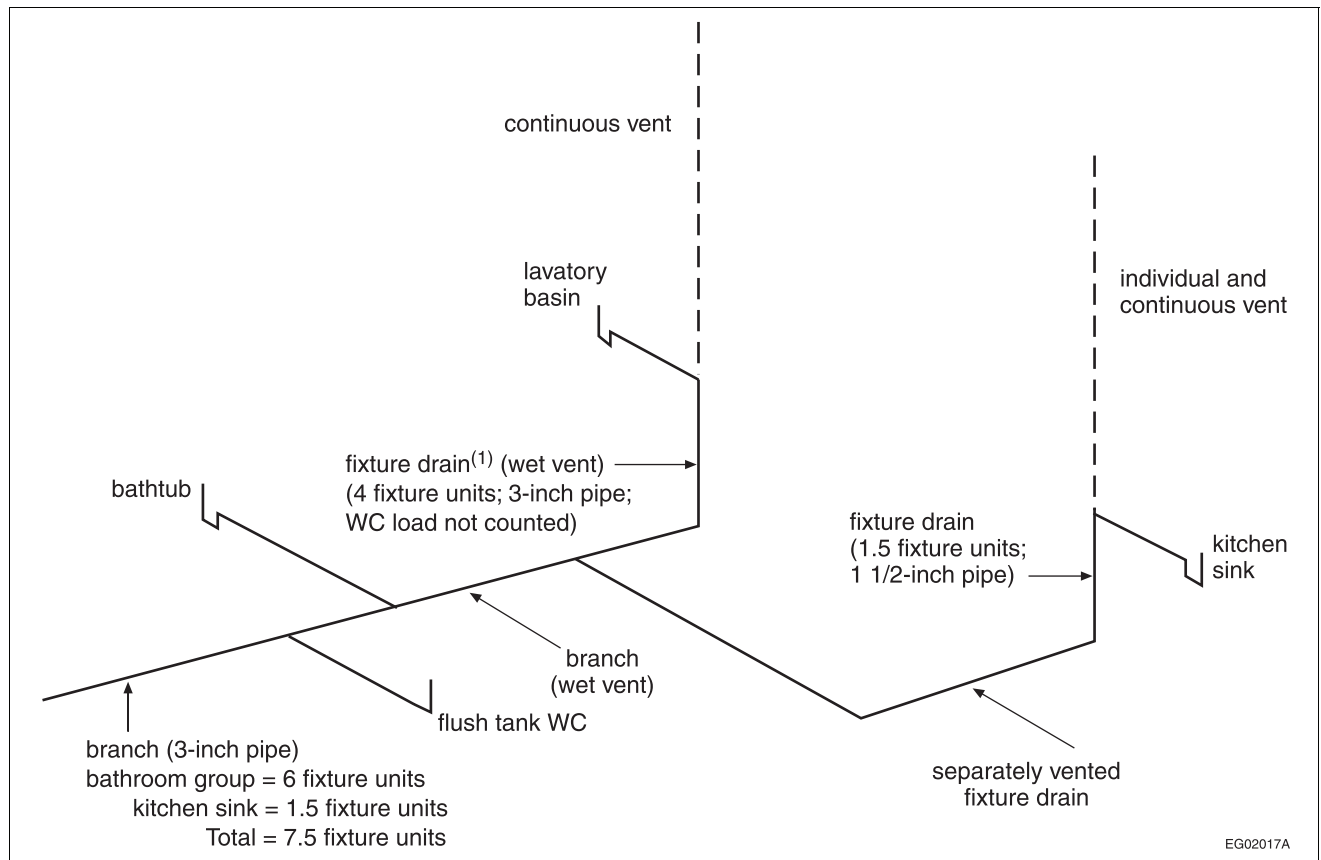


Figure A-2.5.2.1. and 2.5.3.1.-E
Example of Wet Venting Described in Clause 2.5.2.1.(1)(f)

Note to Figure A-2.5.2.1. and 2.5.3.1.-E:

(1) The load from the separately vented kitchen sink is included when sizing this pipe.

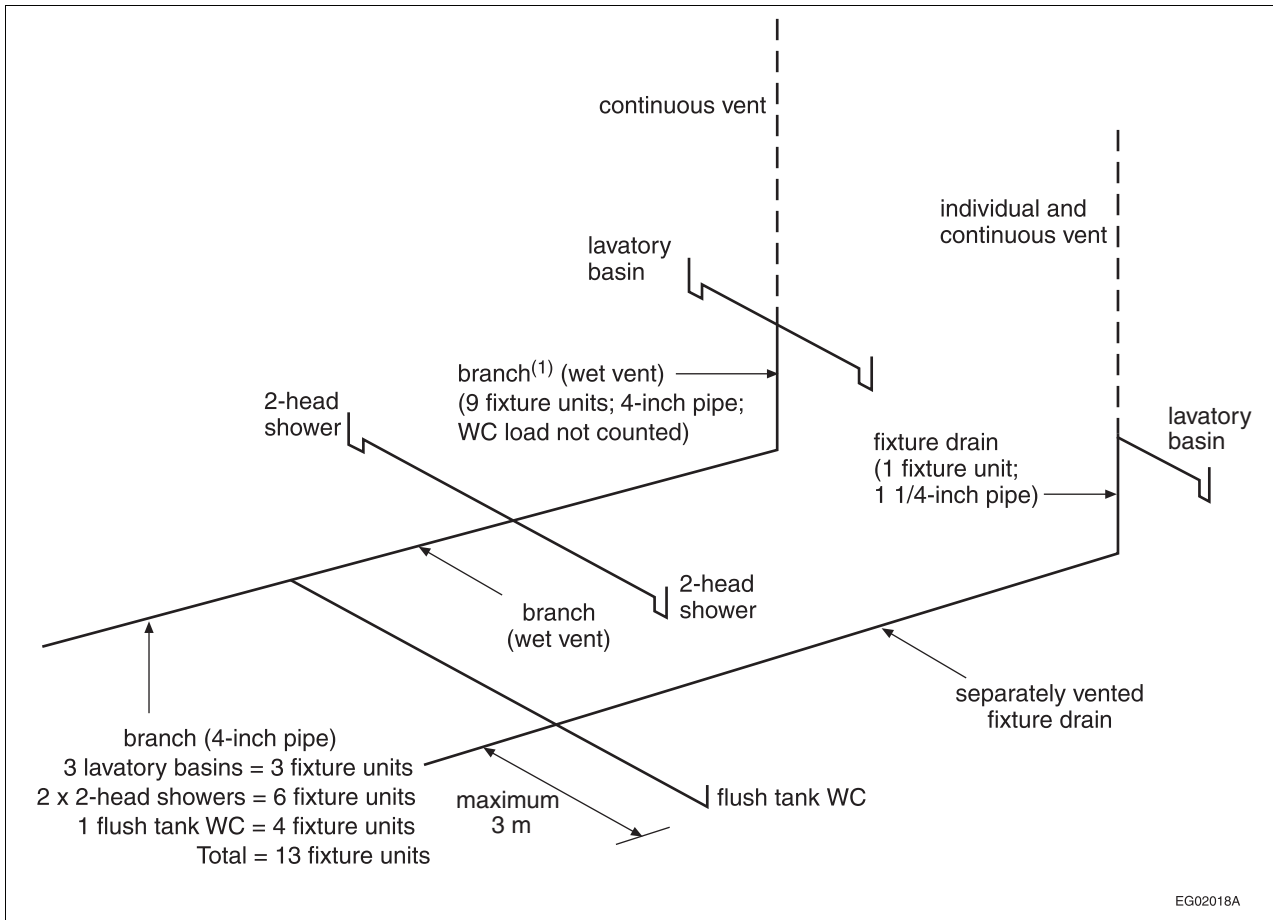


Figure A-2.5.2.1. and 2.5.3.1.-F
Example of Wet Venting Described in Clause 2.5.2.1.(1)(f)

Note to Figure A-2.5.2.1. and 2.5.3.1.-F:

(1) The load from the separately vented lavatory basin is included when sizing this pipe.

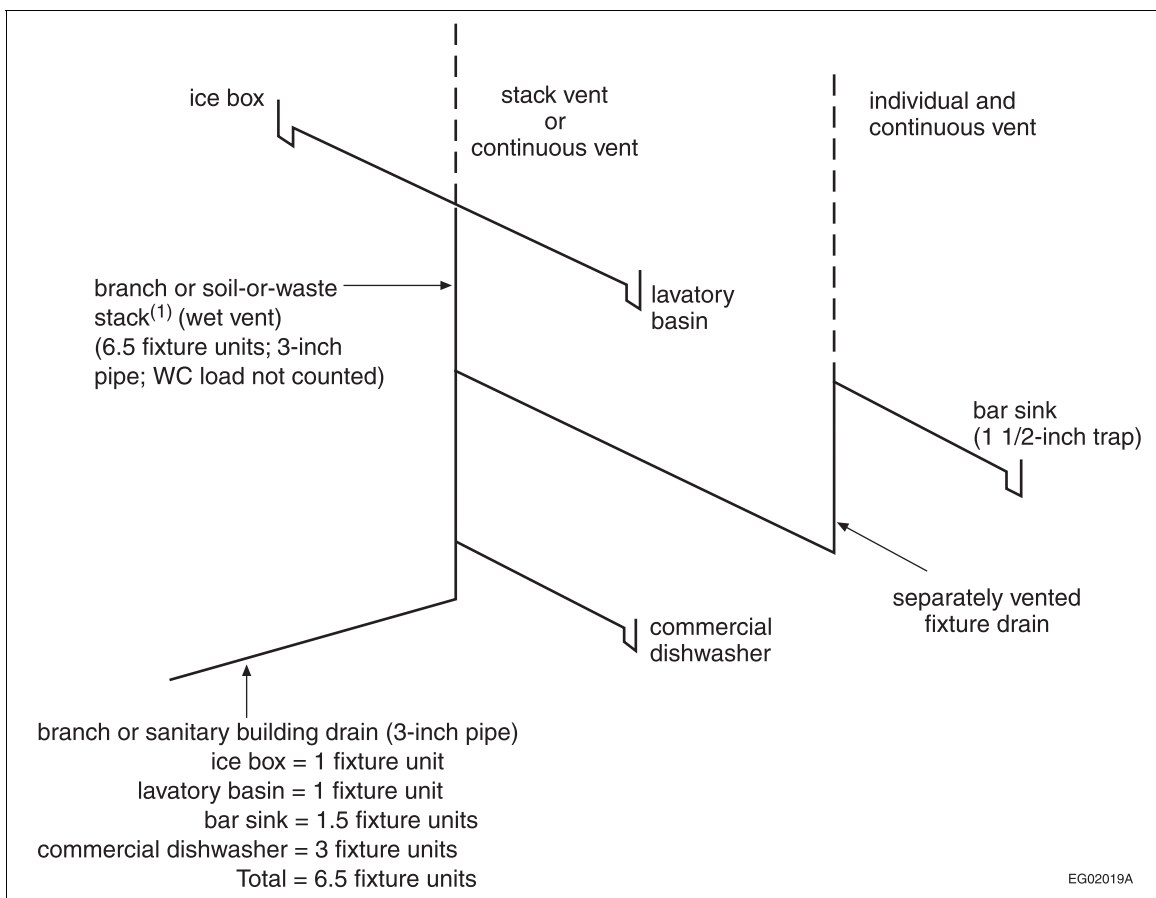
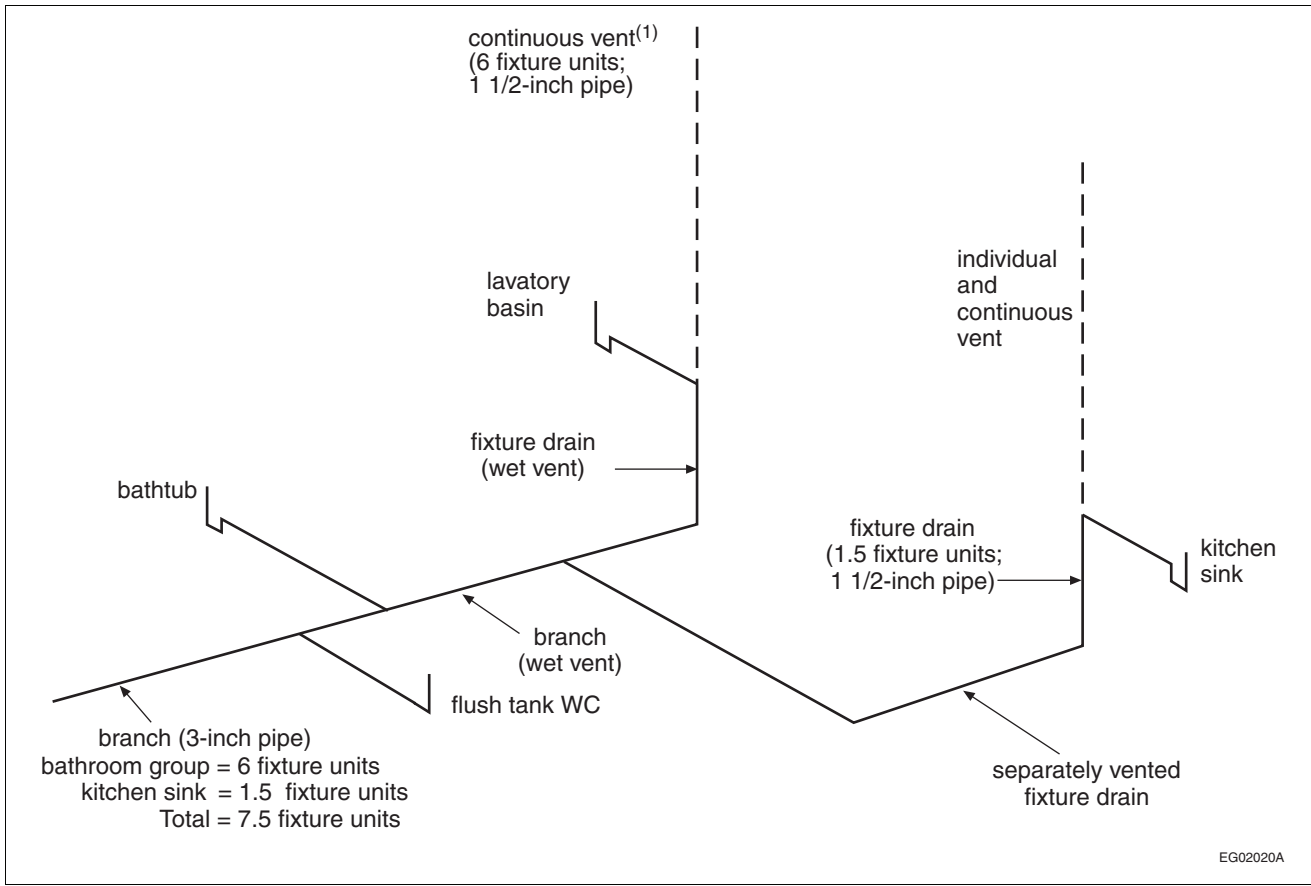


Figure A-2.5.2.1. and 2.5.3.1.-G
Example of Wet Venting Described in Clause 2.5.2.1.(1)(f)

Note to Figure A-2.5.2.1. and 2.5.3.1.-G:

(1) The load from the separately vented bar sink is included when sizing this pipe.

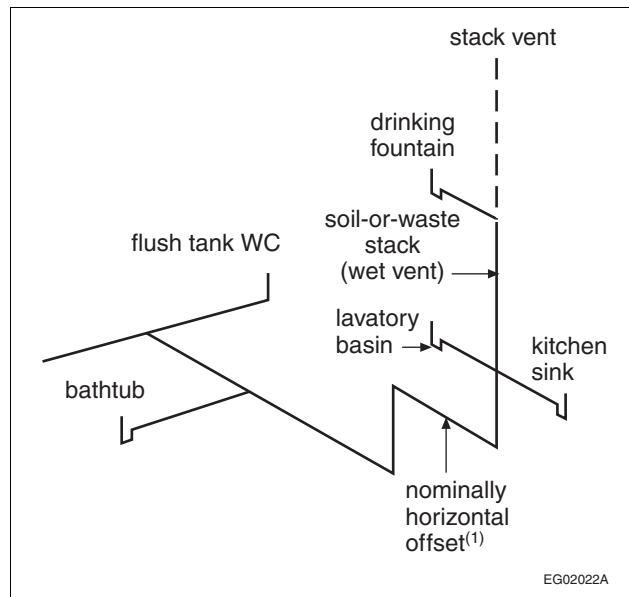


EG02020A

Figure A-2.5.2.1. and 2.5.3.1.-H
Example of Wet Venting Described in Clause 2.5.2.1.(1)(g)

Note to Figure A-2.5.2.1. and 2.5.3.1.-H:

(1) The load from the separately vented kitchen sink is not included when sizing this pipe.



EG02022A

Figure A-2.5.2.1. and 2.5.3.1.-I
Example of Wet Venting Described in Clause 2.5.2.1.(1)(i)

Note to Figure A-2.5.2.1. and 2.5.3.1.-I:

(1) "Offset" means the piping that connects the ends of 2 pipes that are parallel.

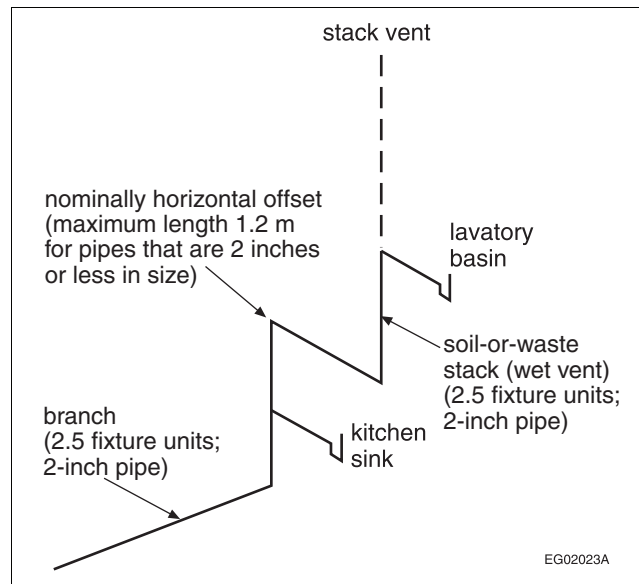


Figure A-2.5.2.1. and 2.5.3.1.-J
Example of Wet Venting Described in Subclause 2.5.2.1.(1)(i)(i)

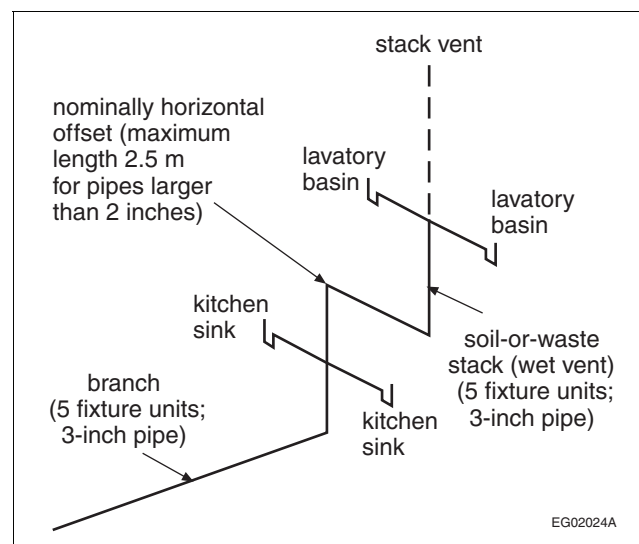


Figure A-2.5.2.1. and 2.5.3.1.-K
Example of Wet Venting Described in Subclause 2.5.2.1.(1)(i)(ii)

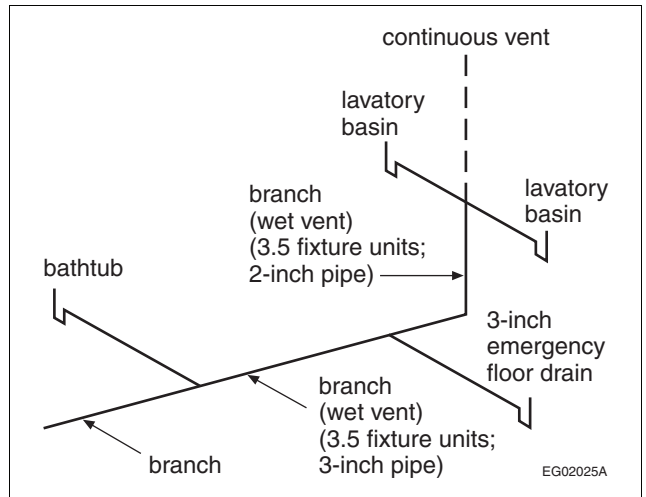


Figure A-2.5.2.1. and 2.5.3.1.-L
Example of Wet Venting Described in Clause 2.5.2.1.(1)(j)

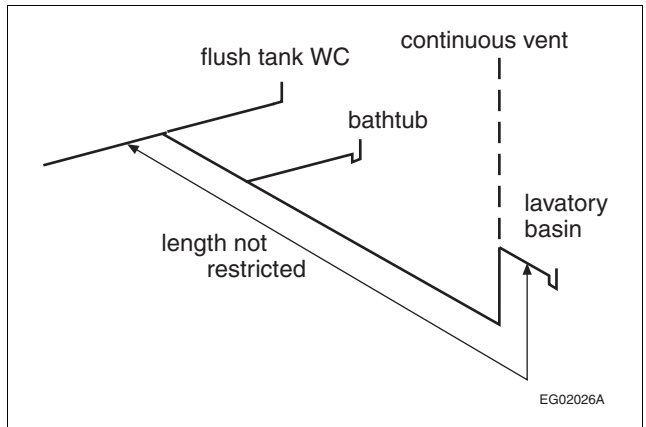


Figure A-2.5.2.1. and 2.5.3.1.-M
Example of Wet Venting Described in Clause 2.5.2.1.(1)(k)

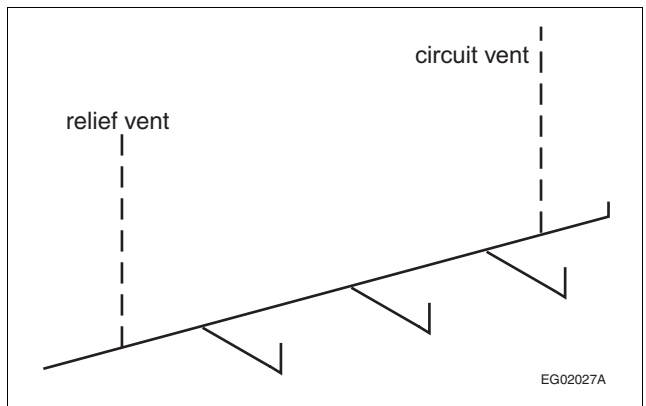


Figure A-2.5.2.1. and 2.5.3.1.-N
Example of Circuit Venting Described in Sentence 2.5.3.1.(1)

Copyright © NRC 1941 - 2019 World Rights Reserved © CNRC 1941-2019 Droits réservés pour tous pays

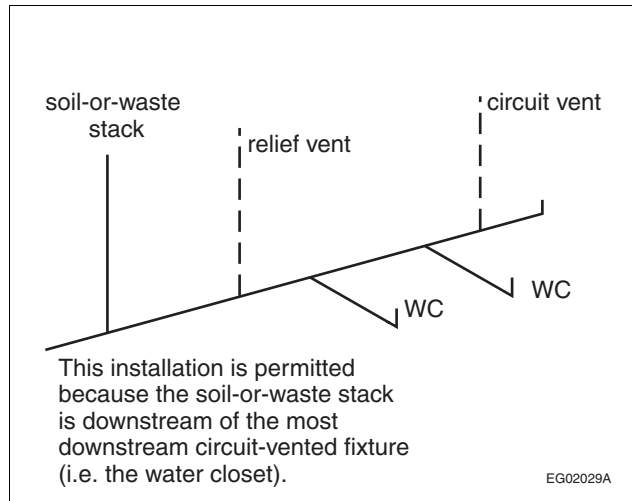


Figure A-2.5.2.1. and 2.5.3.1.-O
Example of Circuit Venting Described in Clause 2.5.3.1.(1)(c)

Copyright © NRC 1941 - 2019 World Rights Reserved © CNRC 1941-2019 Droits réservés pour tous pays

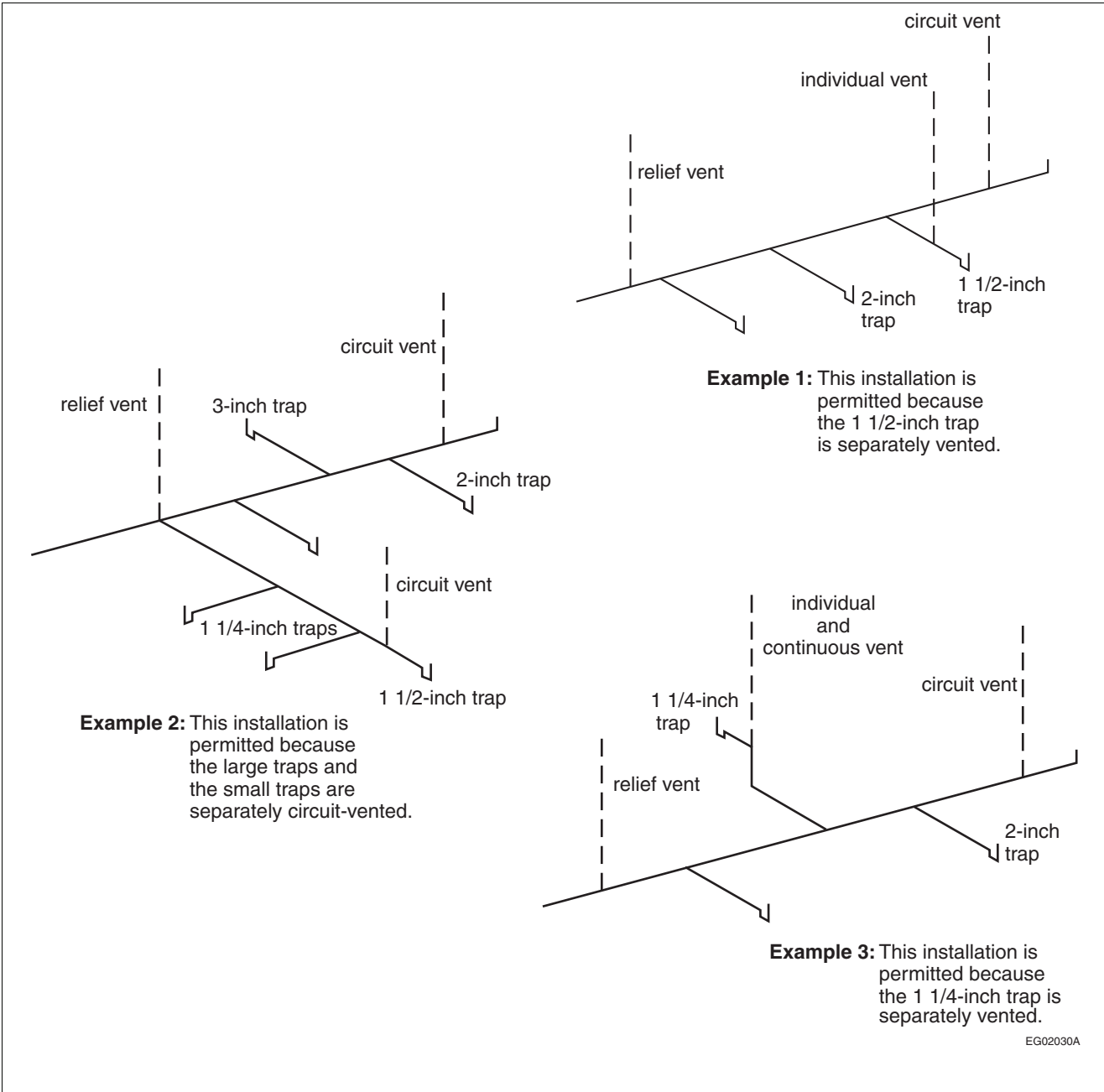


Figure A-2.5.2.1. and 2.5.3.1.-P
Example of Circuit Venting Described in Sentence 2.5.3.1.(2)

Copyright © NRC 1941 - 2019 World Rights Reserved © CNRC 1941-2019 Droits réservés pour tous pays

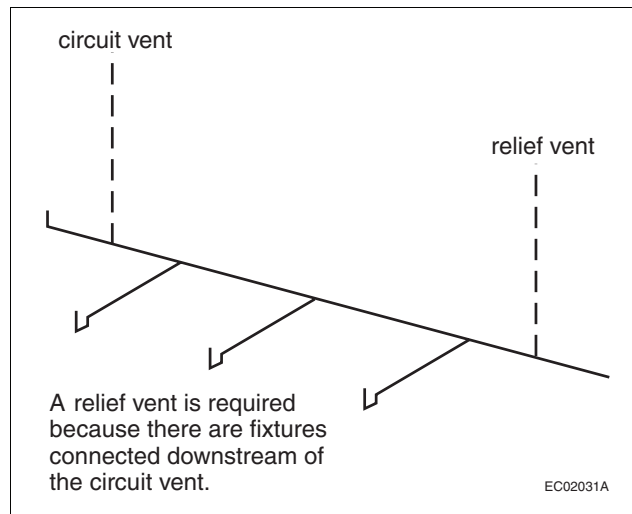


Figure A-2.5.2.1. and 2.5.3.1.-Q
Example of Circuit Venting Described in Sentence 2.5.3.1.(3)

Copyright © NRC 1941 - 2019 World Rights Reserved © CNRC 1941-2019 Droits réservés pour tous pays

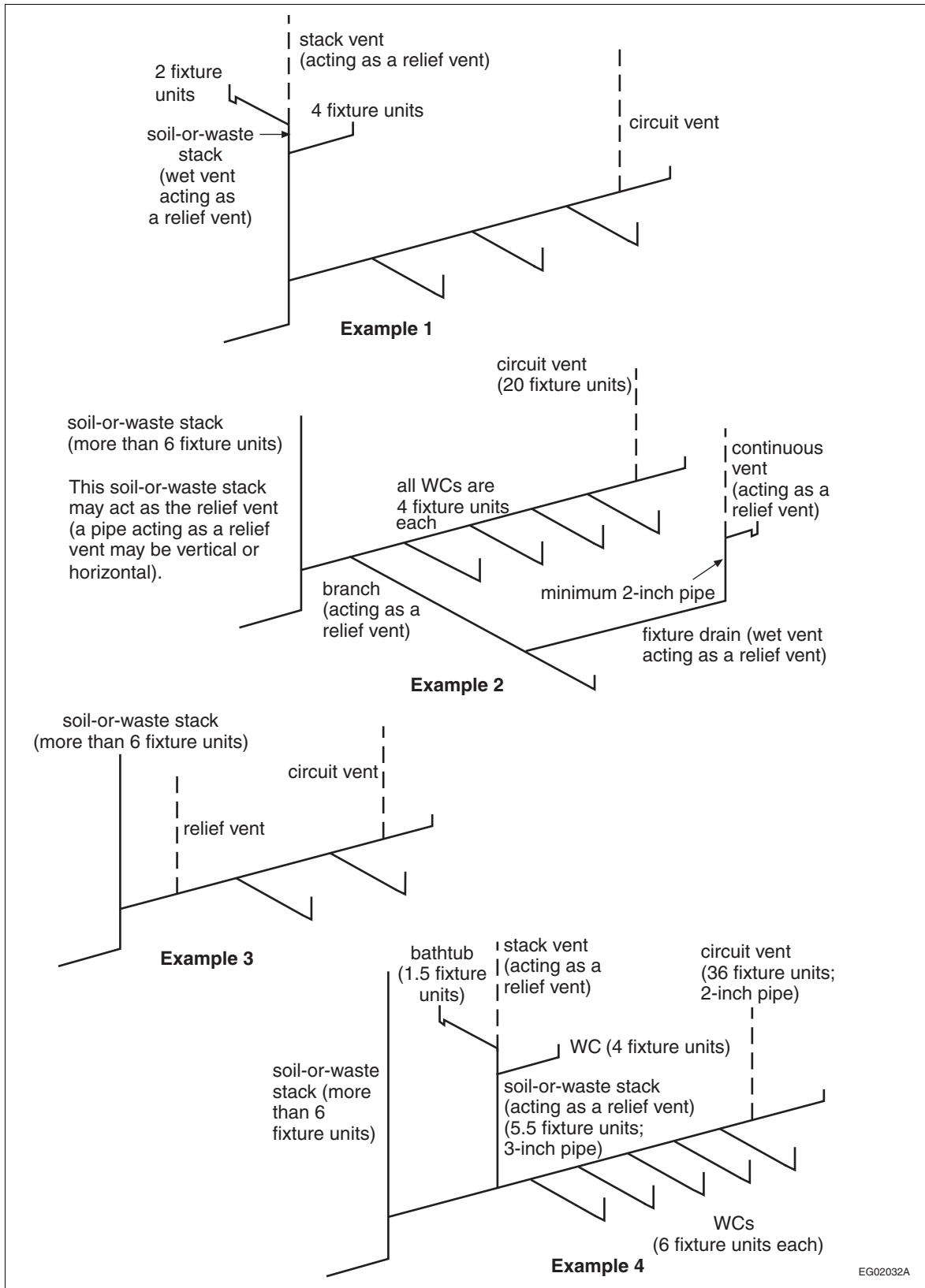


Figure A-2.5.2.1. and 2.5.3.1.-R
Example of Circuit Venting Described in Sentence 2.5.3.1.(4)

Copyright © NRC 1941 - 2019 World Rights Reserved © CNRC 1941-2019 Droits réservés pour tous pays

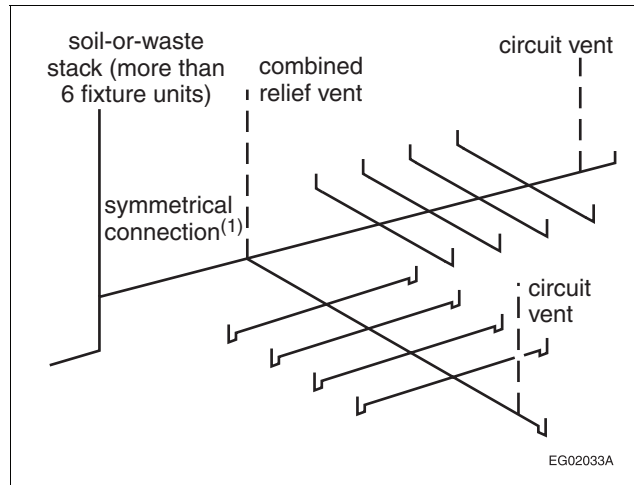


Figure A-2.5.2.1. and 2.5.3.1.-S
Example of Circuit Venting Described in Sentence 2.5.3.1.(5)

Note to Figure A-2.5.2.1. and 2.5.3.1.-S:

- (1) A symmetrical connection is accomplished with a manufactured fitting that has two or more inlets and connects two or more waste lines to a vent or wet vent.

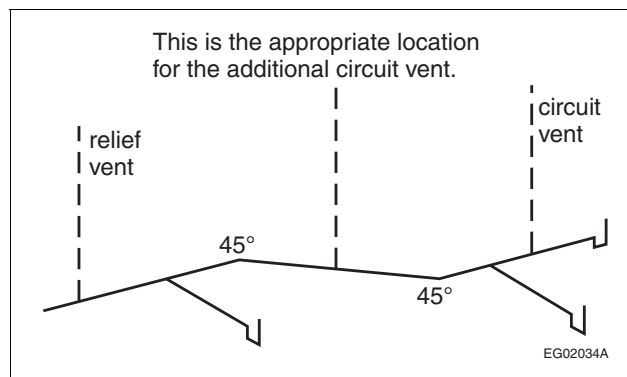


Figure A-2.5.2.1. and 2.5.3.1.-T
Example of Circuit Venting Described in Clause 2.5.3.1.(6)(a)

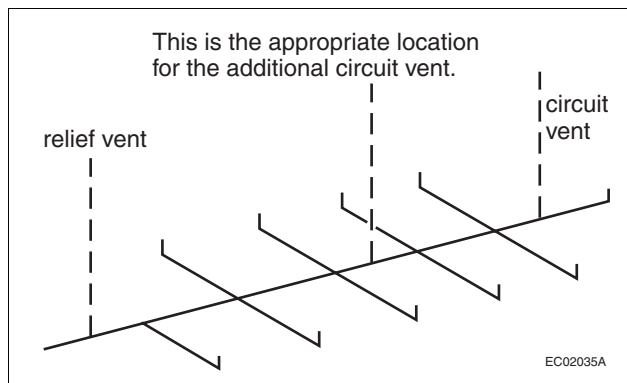
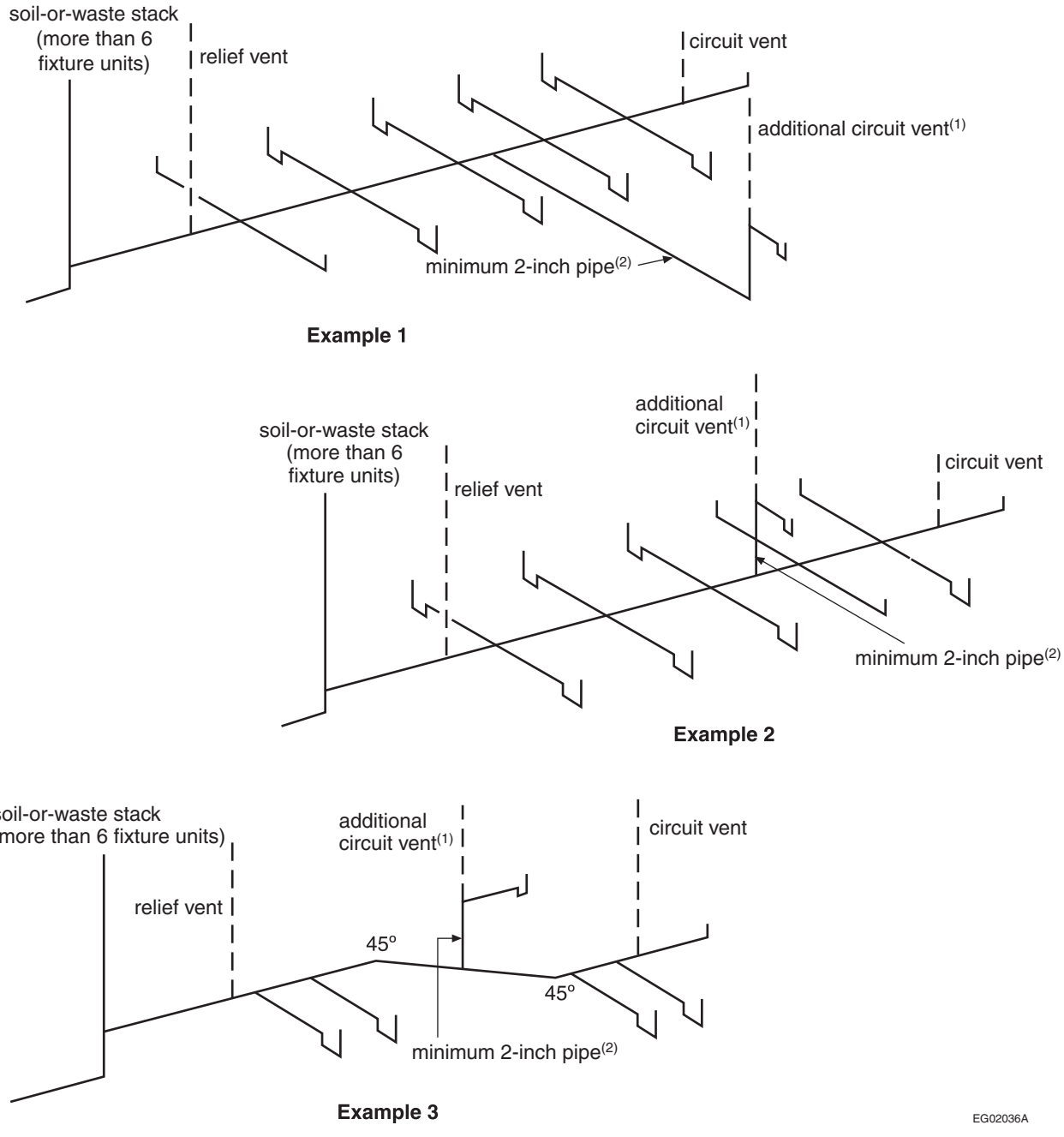


Figure A-2.5.2.1. and 2.5.3.1.-U
Example of Circuit Venting Described in Clause 2.5.3.1.(6)(b)



EG02036A

Figure A-2.5.2.1. and 2.5.3.1.-V
Example of Circuit Venting Described in Sentence 2.5.3.1.(7)

Notes to Figure A-2.5.2.1. and 2.5.3.1.-V:

- (1) Size as per Article 2.5.7.1. and Sentence 2.5.7.3.(1).
- (2) See Sentence 2.5.3.1.(7).

Copyright © NRC 1941 - 2019 World Rights Reserved © CNRC 1941-2019 Droits réservés pour tous pays

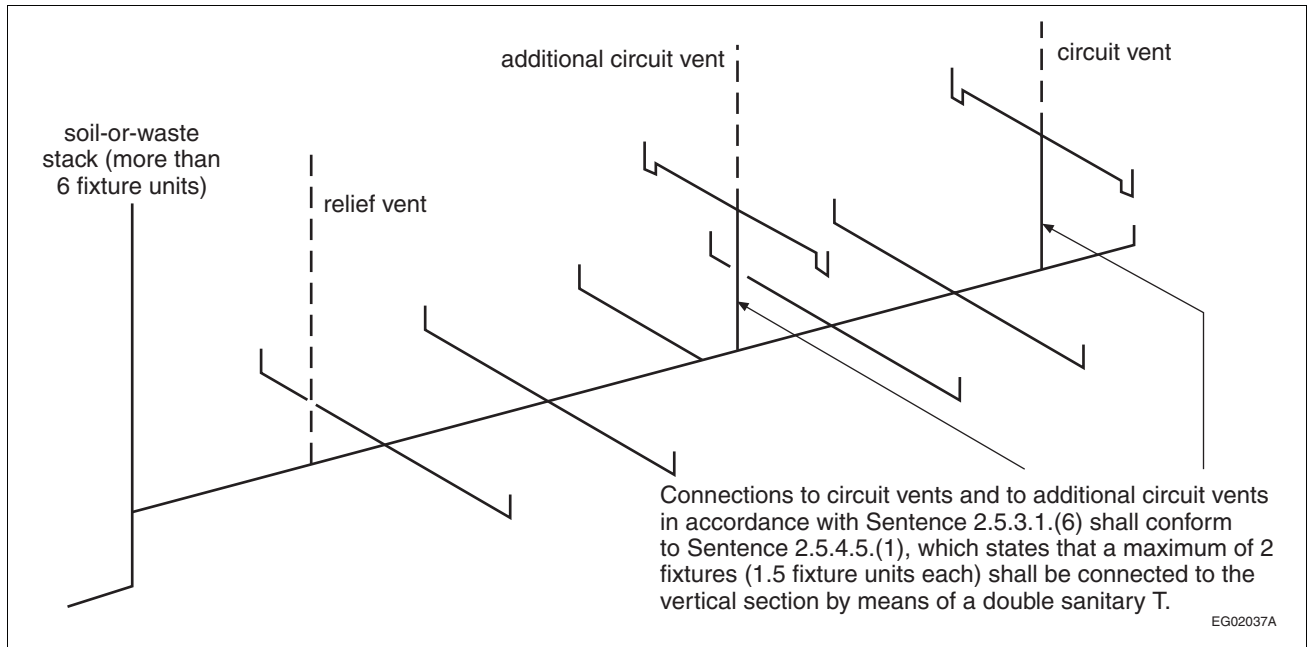


Figure A-2.5.2.1. and 2.5.3.1.-W
Example of Circuit Venting Described in Sentence 2.5.3.1.(8)

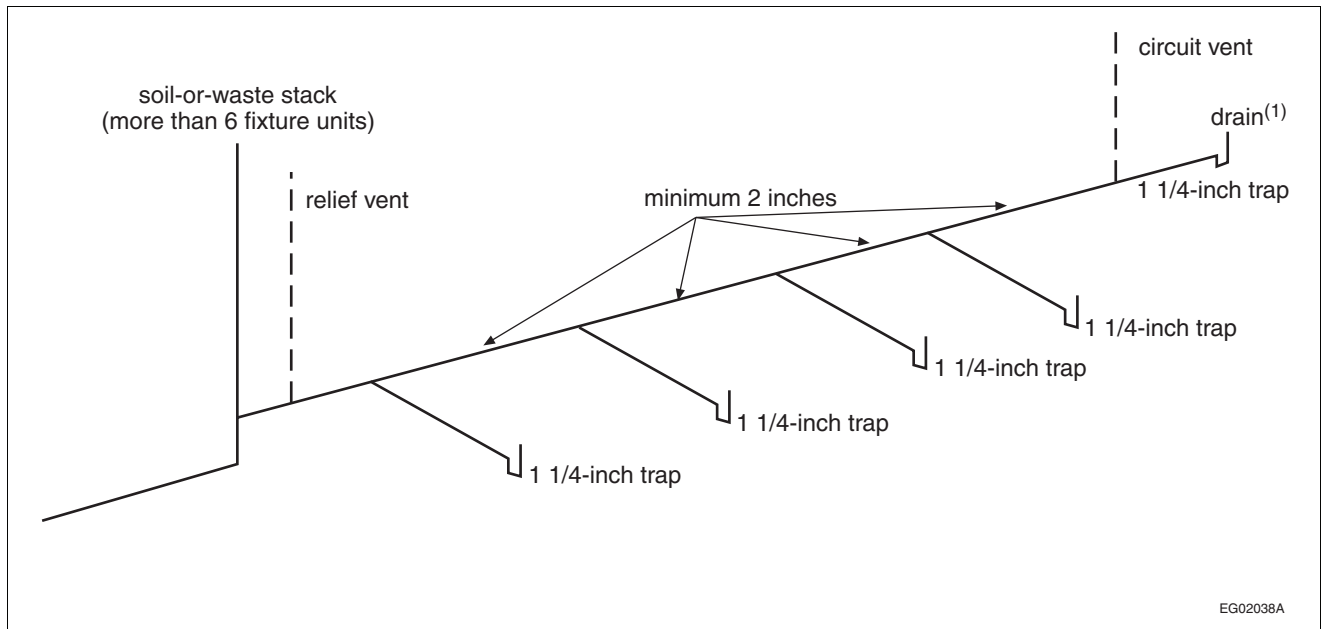


Figure A-2.5.2.1. and 2.5.3.1.-X
Example of Circuit Venting Described in Sentence 2.5.3.1.(9)

Note to Figure A-2.5.2.1. and 2.5.3.1.-X:

(1) The drain is sized as a branch. The size of the drain should be increased as the load increases.

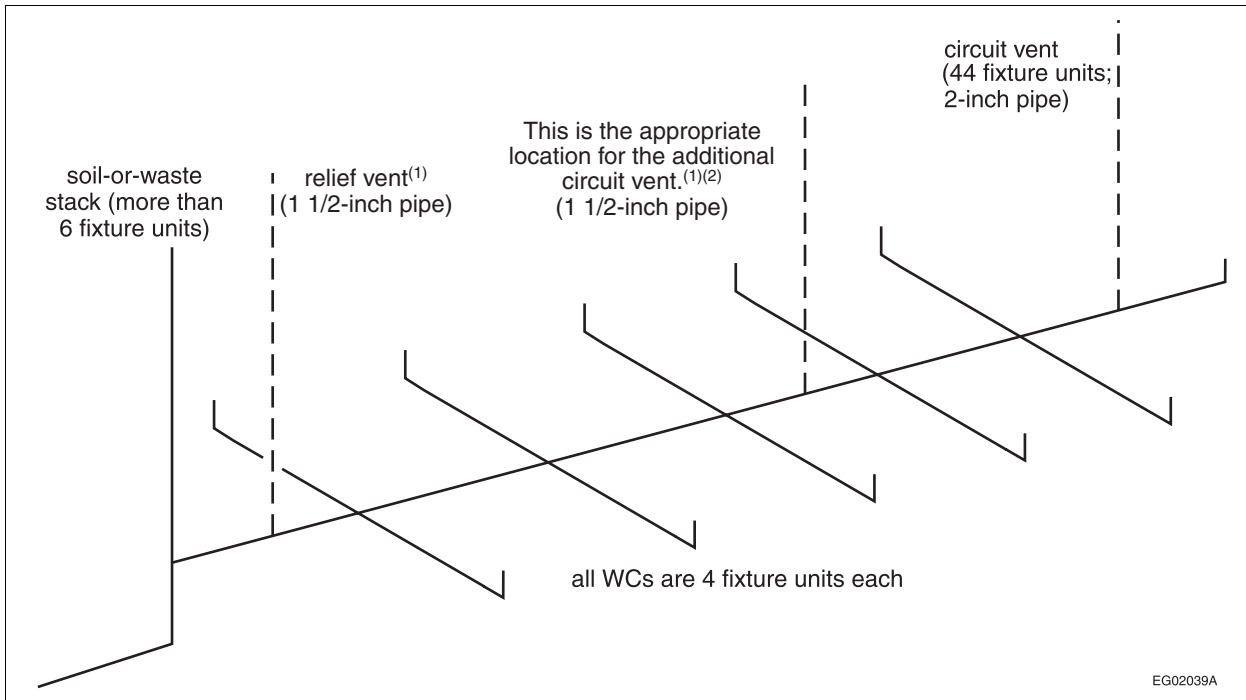


Figure A-2.5.2.1. and 2.5.3.1.-Y

Example of Circuit Venting Described in Sentence 2.5.3.1.(10)

Notes to Figure A-2.5.2.1. and 2.5.3.1.-Y:

- (1) The relief vent and the additional circuit vent are one size smaller than the circuit vent.
- (2) See Sentence 2.5.7.3.(1).

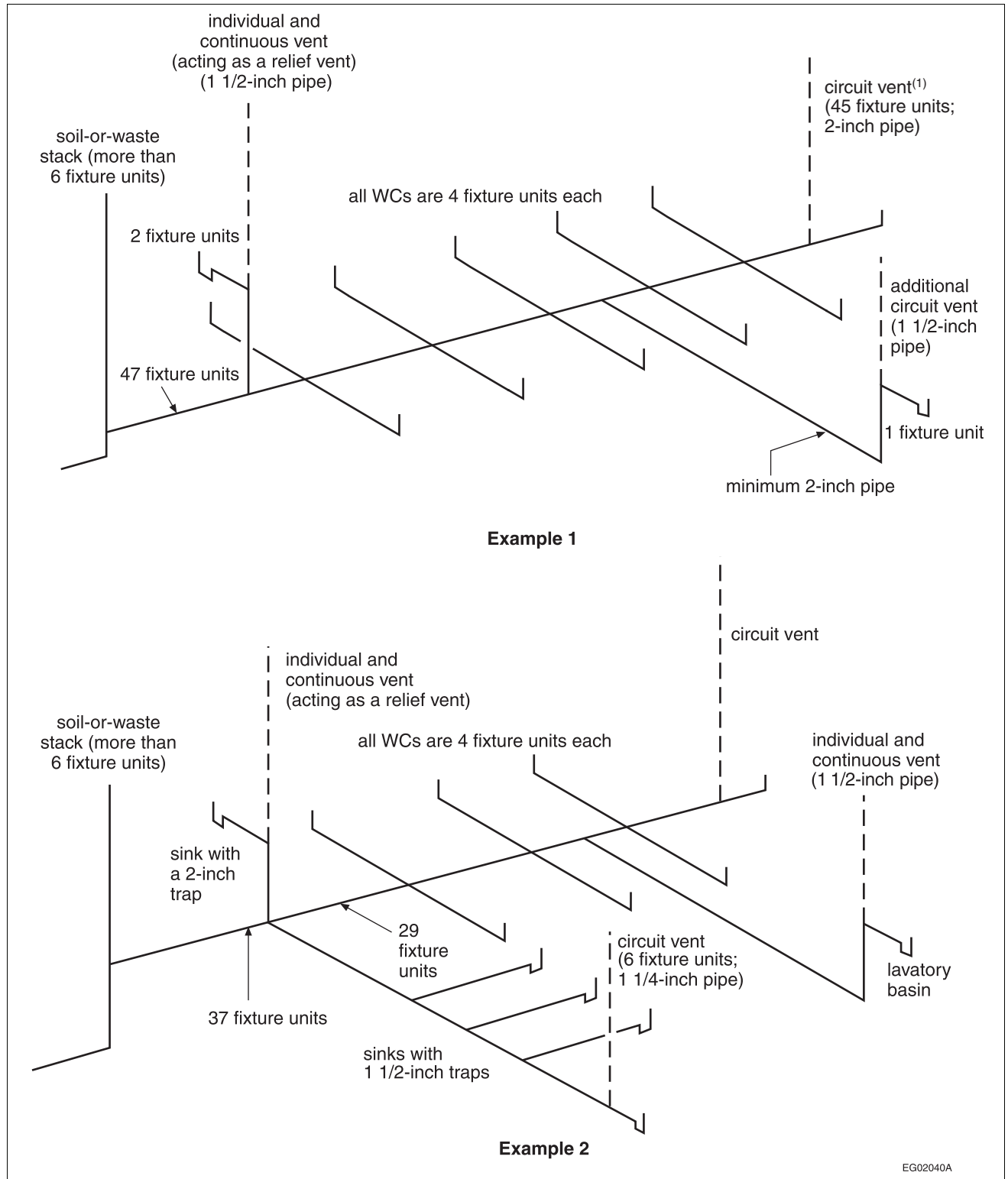


Figure A-2.5.2.1. and 2.5.3.1.-Z
Example of Circuit Venting Described in Sentence 2.5.3.1.(11)

Note to Figure A-2.5.2.1. and 2.5.3.1.-Z:

- (1) When sizing the circuit vent, do not include fixtures with a hydraulic load of 2 fixture units that are connected downstream of the most downstream water closets.

Copyright © NRC 1941 - 2019 World Rights Reserved © CNRC 1941-2019 Droits réservés pour tous pays

A-2.5.4.3. Yoke Vent. In Ontario, yoke vents have traditionally been referred to as modified stack vents.

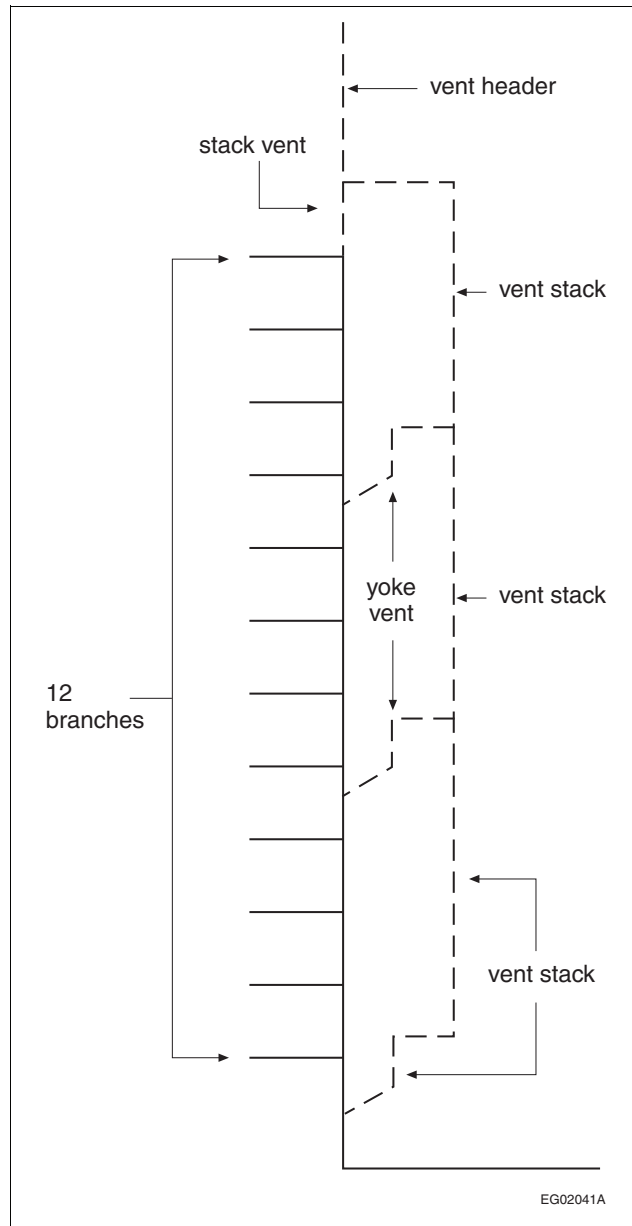


Figure A-2.5.4.3.
Yoke Vent

Copyright © NRC 1941 - 2019 World Rights Reserved © CNRC 1941-2019 Droits réservés pour tous pays

A-2.5.4.4.(1) Offset Relief Vents. When an offset is greater than 1.5 m, it must be sized the same way as a branch or building drain (see Sentence 2.4.10.6.(2)). An offset relief vent is required at points A and B or A and C in Figure A-2.5.4.4.(1).

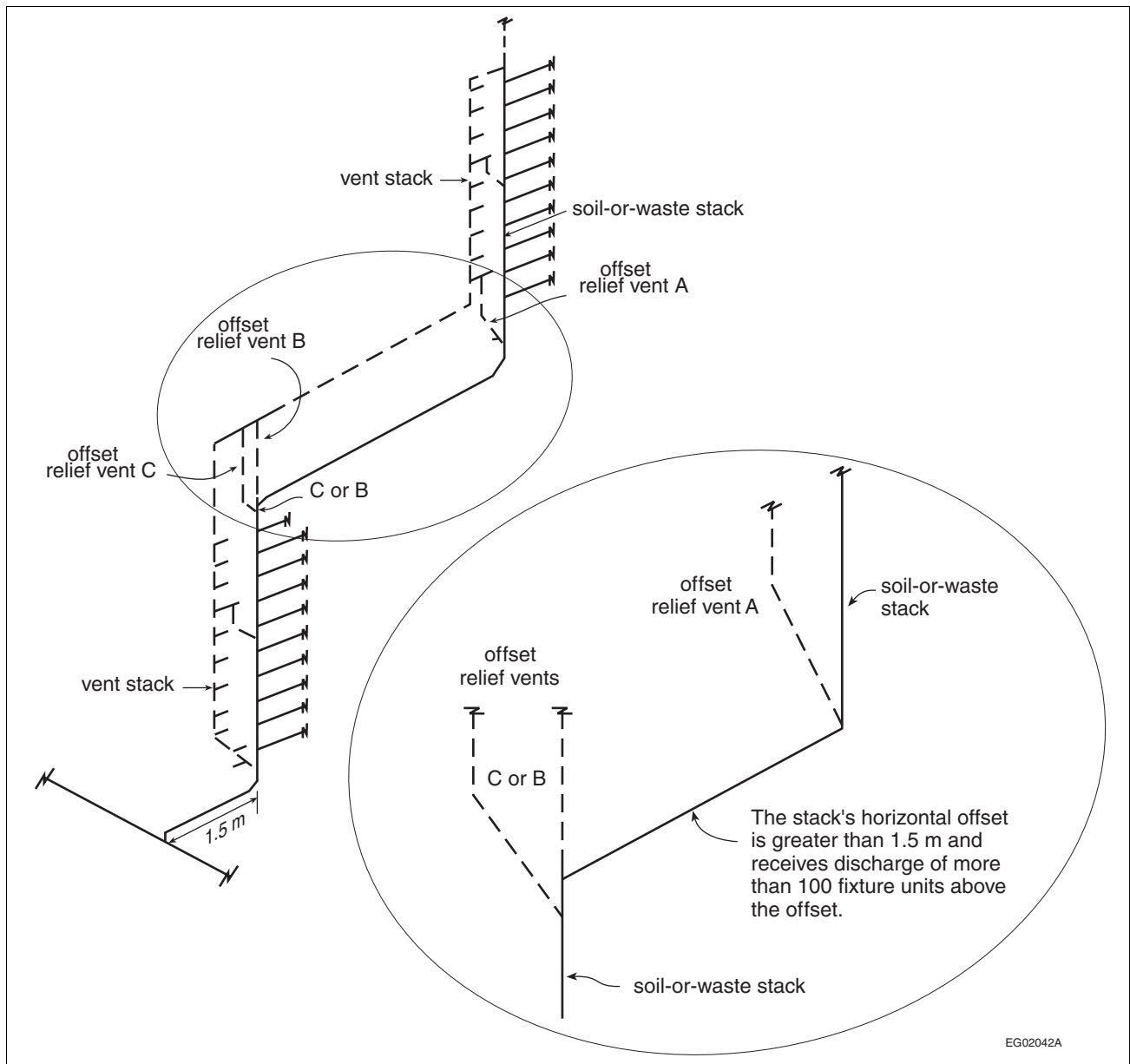


Figure A-2.5.4.4.(1)
Offset Relief Vents

A-2.5.4.5.(1) Fixture Connections to Vent Pipes. When one or more fixture drains are connected to a vent pipe, the vent pipe becomes a wet vent. It must then conform to all the requirements that can apply to it as a drainage pipe and a vent pipe.

A-2.5.5.2. Venting of Oil Interceptors.

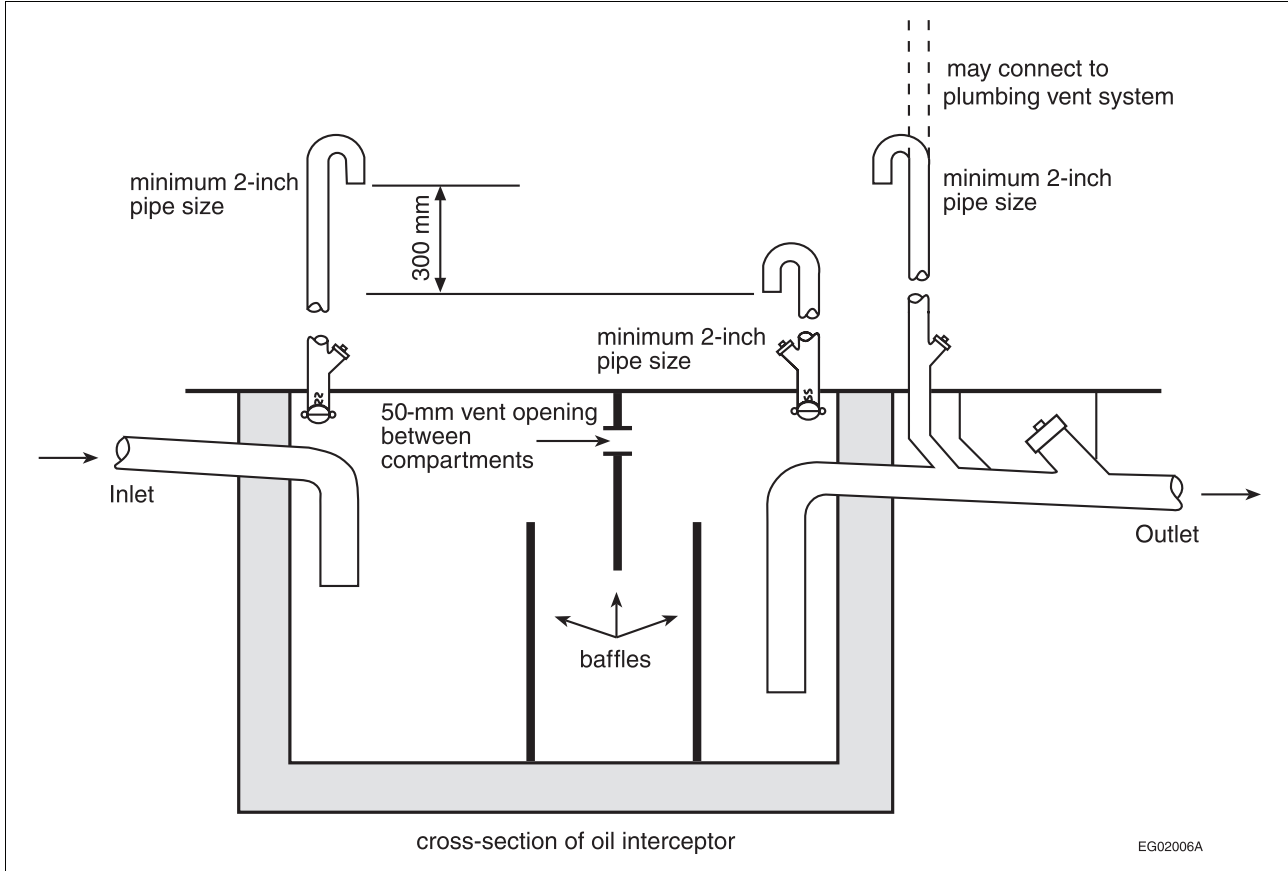


Figure A-2.5.5.2.
Venting of Oil Interceptors

A-2.5.6.2.(2) Vent Pipe Connections. Fittings used to connect vent pipes to nominally horizontal soil-or-waste pipes are specified in Subsection 2.2.4.

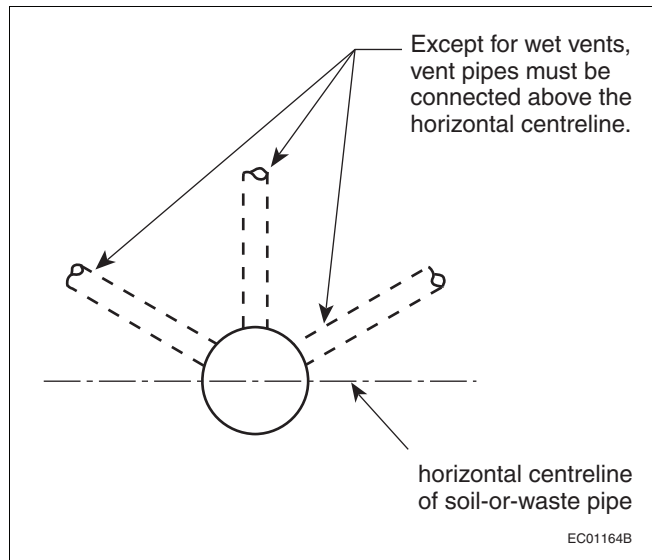
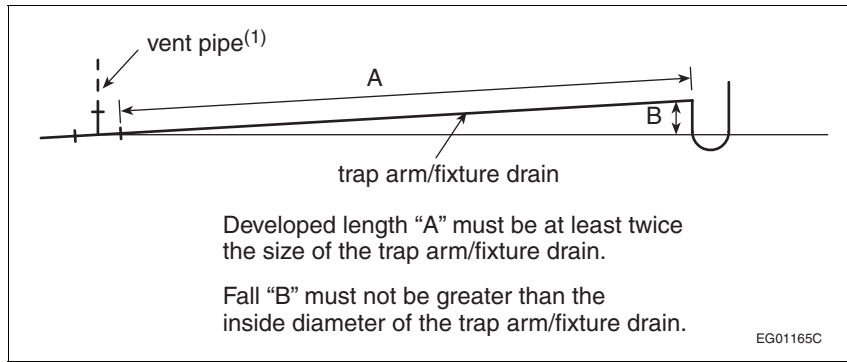


Figure A-2.5.6.2.(2)
Vent Pipe Connections

A-2.5.6.3.(1) Vent Connection and Location of Vent Pipes.



**Figure A-2.5.6.3.(1)-A
Vent Connection**

Note to Figure A-2.5.6.3.(1)-A:

(1) The vent pipe must be connected in accordance with Article 2.5.6.2.

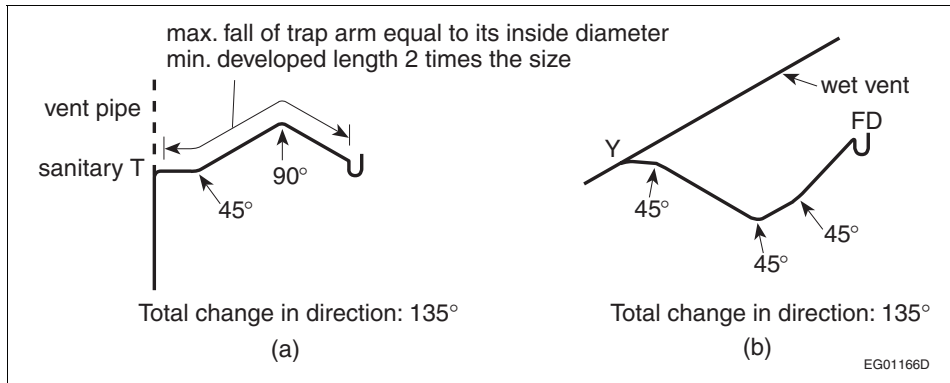


Figure A-2.5.6.3.(1)-B

Location of Vent Pipes That Protect Fixture Traps and Maximum Change in Direction of Trap Arms

A-2.5.6.3.(2) Location of Vent Pipes.

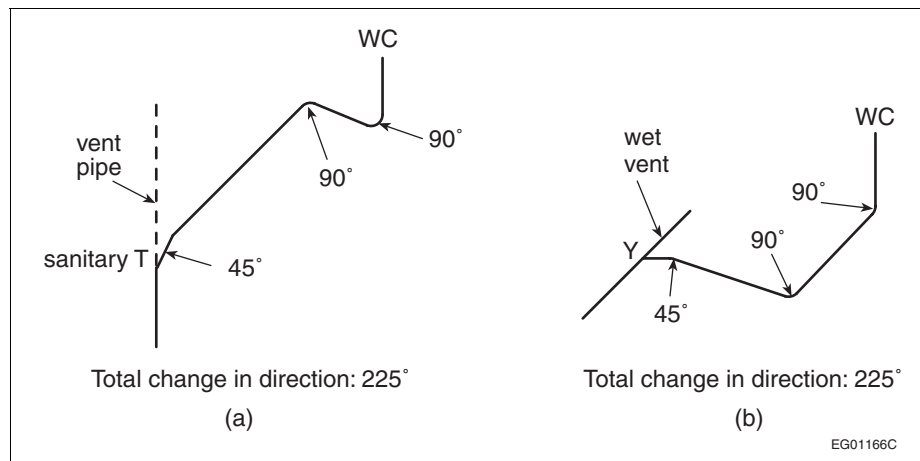


Figure A-2.5.6.3.(2)

Location of Vent Pipes and Maximum Change in Direction of Trap Arms for Fixtures That Depend on Siphonic Action

A-2.5.6.3.(3) Length of WC Fixture Drain.

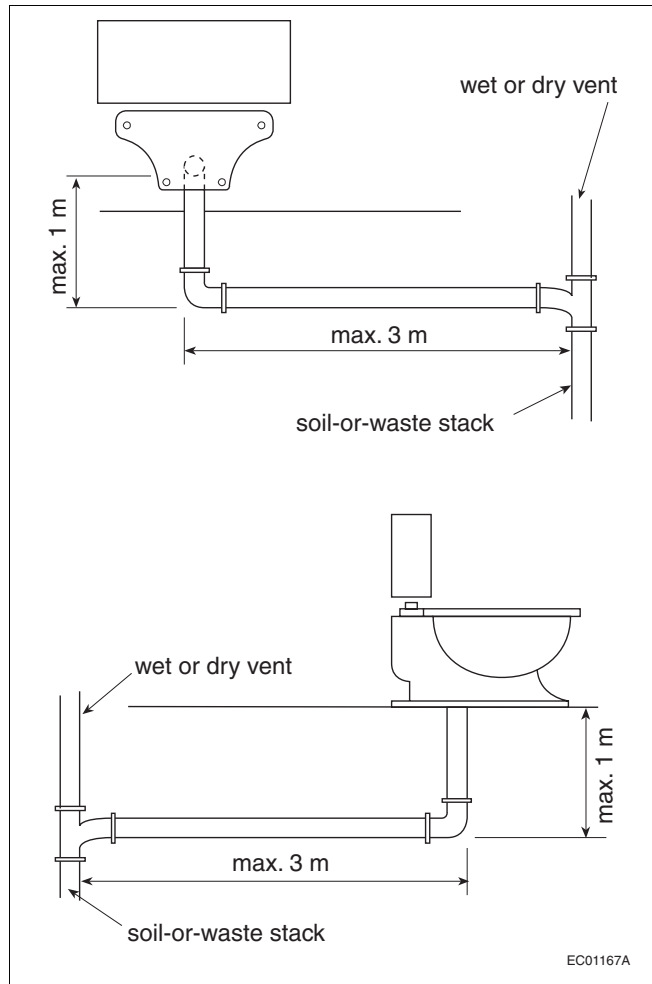


Figure A-2.5.6.3.(3)
Length of WC Fixture Drain

Note to Figure A-2.5.6.3.(3):

- (1) Fall and length of WC fixture drain applies to floor-mounted and wall-hung WC's.

A-2.5.6.5.(4) Vent Terminals. No vent pipe other than a fresh air inlet may terminate within the limits indicated.

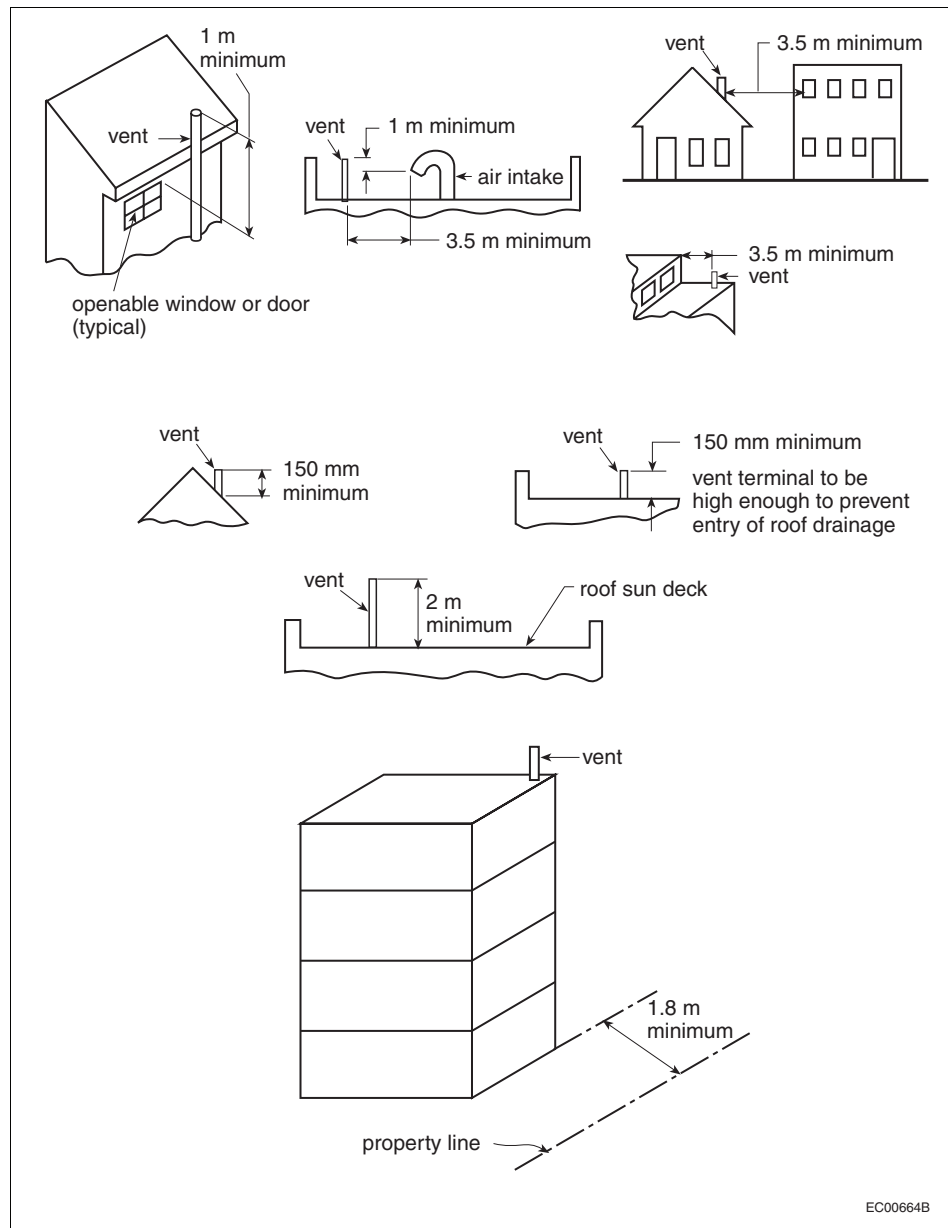


Figure A-2.5.6.5.(4)
Vent Terminals

A-2.5.8. Sizing of Venting Systems. Vent pipes are connected to the drainage system and terminate outside the building. They allow air to enter and circulate and they protect the trap seals in the drainage system. Except as permitted in Subsection 2.5.1., a trap shall always be protected by a vent pipe.

Sizing of Vent Pipes

The sizes stated in Table 2.5.7.1. take precedence over all other venting tables.

Sizing of Relief Vents

Length is not taken into consideration when sizing a relief vent and an additional circuit vent. A relief vent connected to a circuit-vented branch is sized according to Sentences 2.5.7.3.(1) and (2).

An offset relief vent is sized according to Sentence 2.5.7.4.(1), which permits the offset relief vent to be one size smaller than the stack vent.

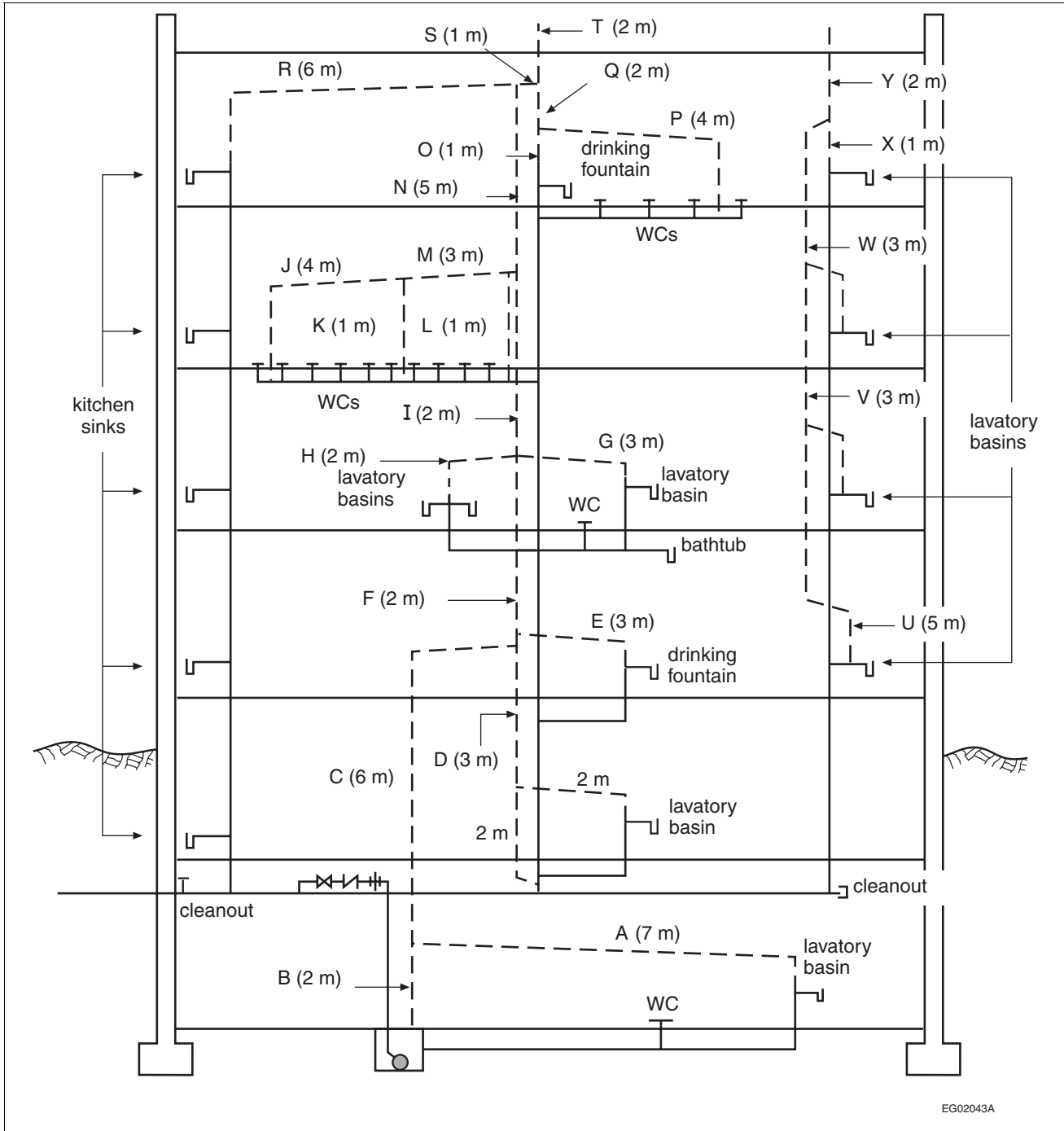


Figure A-2.5.8.
Sizing of a Venting System

Notes to Figure A-2.5.8.:

- (1) All water closets are 4 fixture units each.
- (2) The letters in columns 1 and 3 of Table A-2.5.8. correspond to the letters in this Figure.

EG02043A

Copyright © NRC 1941 - 2019 World Rights Reserved © CNRC 1941-2019 Droits réservés pour tous pays

Table A-2.5.8.
Sizing of Venting Systems

Vent Pipe	Vent Name	Developed Length Used to Determine Size, m	Hydraulic Load Used to Determine Size, fixture units	Code Reference	Minimum Size, inches
A	Continuous vent	A+C=13	5	2.5.7.1.	1½
B	Sump vent	n/a	n/a	2.5.7.7.(1)	2
C	Branch vent	A+C=13	5	2.5.7.7.(2)	2
D	Vent stack	2+D+F+I+N+S+T=17	66	2.5.7.1. 2.5.7.2.	3
E	Individual and continuous vent	n/a	n/a	2.5.7.1.	1¼
F	Vent stack	Same as D=17	71	Same as D	3
G	Continuous vent	G=3	6	2.5.8.3.(5) 2.5.7.1.	1½
H	Dual and continuous vent	n/a	n/a	2.5.7.1.	1¼
I	Vent stack	Same as D=17	71	Same as D	3
J	Circuit vent	J+M=7	40	2.5.7.1. 2.5.8.3.(4)	1½
K	Additional circuit vent	n/a	n/a	2.5.7.1. 2.5.7.3.(1)	1½
L	Relief vent	n/a	n/a	2.5.7.1. 2.5.7.3.(1)	1½
M	Branch vent	J+M=7	40	2.5.7.1. 2.5.7.2.	1½
N	Vent stack	Same as D=17	71	Same as D	3
O	Stack vent	O+Q+T=5	66	2.5.7.1. 2.5.8.4.	2
P	Circuit vent	P=4	16	2.5.7.1. 2.5.8.3.(4)	1½
Q	Stack vent	Same as O=5	66	2.5.7.1. 2.5.8.4.	2
R	Stack vent	R+S+T=9	7.5	2.5.2.1.(1)(a)	3
S	Vent header	A+C+F+I+N+S+T=25	78.5	2.5.8.3.(3)	3
T	Vent header	Same as S=25	78.5	2.5.8.3.(3)	3
U	Individual vent	n/a	n/a	2.5.7.1.	1¼
V	Branch vent	U+V+W=11	2	2.5.7.1. 2.5.7.2.	1¼
W	Branch vent	Same as V=11	3	2.5.7.1. 2.5.7.2.	1¼
X	Stack vent	X+Y=3	4	2.5.7.1. 2.5.8.4.	1¼
Y	Stack vent	Same as X=3	4	2.5.7.1. 2.5.8.4.	1¼

A-2.5.8.1.(2) Sizing of Wet Vent Systems.

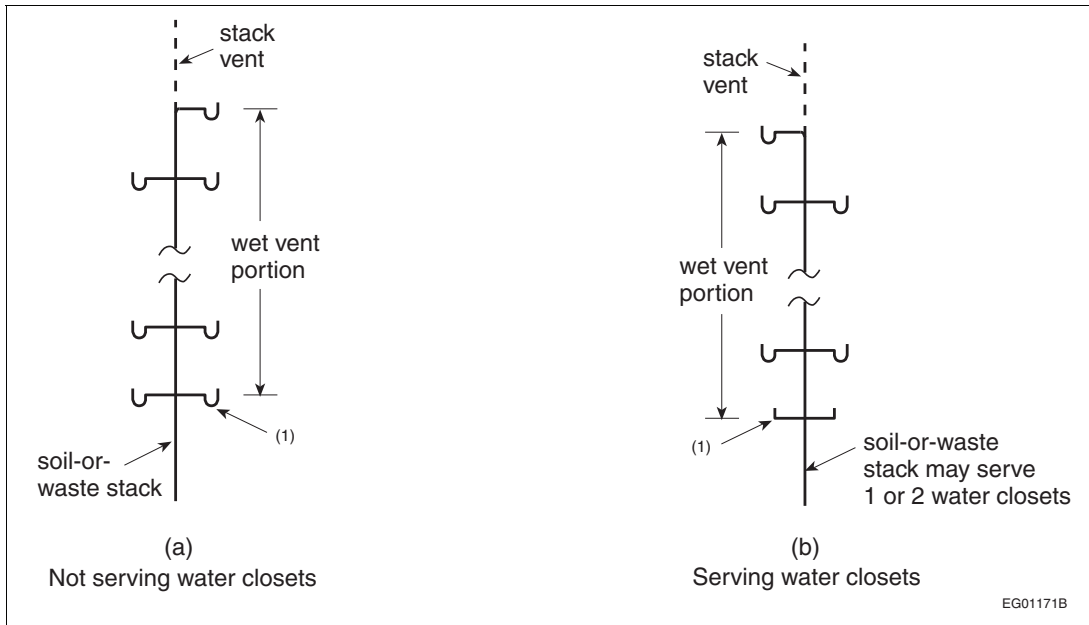


Figure A-2.5.8.1.(2)
Sizing of Wet Vent Systems

Note to Figure A-2.5.8.1.(2):

(1) These two fixtures are not included when determining the size of the wet vent portion using Table 2.5.8.1.

A-2.5.8.3. and 2.5.8.4. Lengths to be Considered When Sizing Vent Pipes.

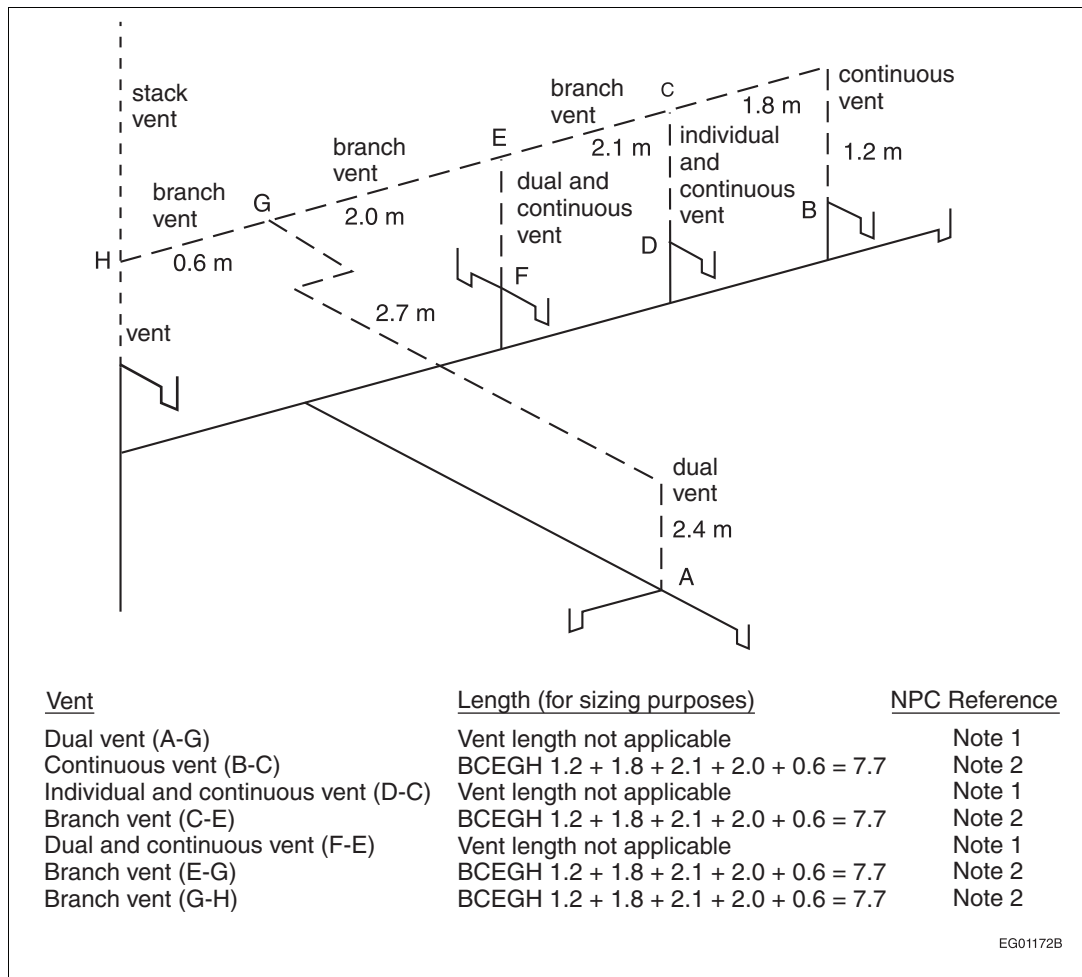


Figure A-2.5.8.3. and 2.5.8.4.-A
Lengths to be Considered When Sizing Vent Pipes

Notes to Figure A-2.5.8.3. and 2.5.8.4.-A:

- (1) See Article 2.5.8.2.
- (2) See Article 2.5.8.3.

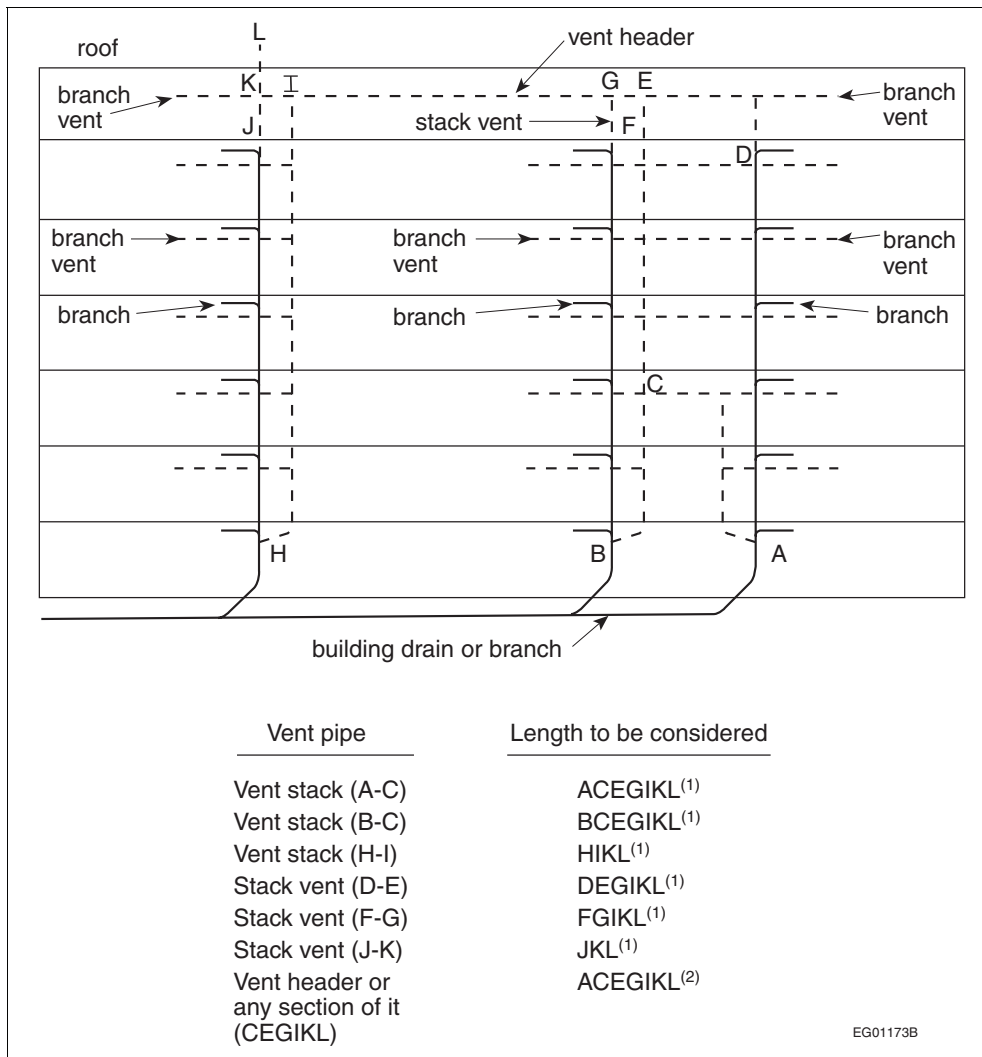


Figure A-2.5.8.3. and 2.5.8.4.-B
Lengths to be Considered When Sizing Vent Pipes

Notes to Figure A-2.5.8.3. and 2.5.8.4.-B:

- (1) See Sentence 2.5.8.4.(2).
- (2) See Sentence 2.5.8.3.(3).

A-2.6.1.1.(1) Potable Water Systems. ◊ The design procedures contained in the following documents are considered good engineering practice in the field of potable water systems:

- (a) ASHRAE Handbook – Fundamentals, Chapter 36, Pipe Sizing,
- (b) ASPE Data Book – Volume 2, Chapter 5, Cold Water Systems, and
- (c) ASPE Data Book – Volume 2, Chapter 6, Domestic Water Heating Systems Fundamentals.

As an alternative, the following procedures may be used in determining the size of each section of the water system using Table A-2.6.1.1.(1), which incorporates the requirements of Sentence 2.6.3.2.(3).

- (1) Determining Conditions. On a proposed water piping installation sized pursuant to Table A-2.6.1.1.(1) the following conditions need to be determined:
 - (a) total number of fixture units as determined from Tables 2.6.3.1. and 2.6.3.2. for the fixtures to be installed;
 - (b) developed length of the pipe from the property line to the most remote outlet, or if the pressure at the property line or meter is unknown, the developed length from the public water main to the most remote outlet;
 - (c) difference in elevation between the water piping at the property line or other source of supply and the highest fixture or outlet;

- (d) pressure in the public water main or other source of supply at the locality where the installation is to be made (this pressure may need to be reduced so that the pressure in the water distribution system does not exceed 550 kPa); and
 - (e) in localities where there is a wide fluctuation of pressure in the main throughout the day, the minimum pressure available, which is used as a basis for design.
- (2) **Water Service Pipe.** Beginning with the available pressure at the property line, public water main or other source of supply, and subtracting 10 kPa for each metre of difference in elevation between such source of supply and the highest water outlet in the building or on the premises, use the "Pressure Range" group in Table A-2.6.1.1.(1) within which this adjusted pressure falls. Select the "length column" that is equal to or longer than the required length of service pipe. Follow down the column to a fixture unit equal to or greater than the total number of fixture units required by the installation. Having located the proper fixture unit value for the required length, locate the size of the water service in the left-hand column.
 - (3) **Cold Water Piping.** Starting at the most remote outlet on the cold water piping and working back toward the water service or meter, using the total developed length of pipe, compute the pipe sizing for the system using the total fixture unit values given in Tables 2.6.3.1. and 2.6.3.2. and adding in the fixture unit demand of the hot water supply inlet at the point where it occurs. The final size of the cold water service need not be larger than the size required by Table A-2.6.1.1.(1) for the water service.
 - (4) **Hot Water Piping.** Starting at the most remote outlet on the hot water piping and working back toward the service water heater, compute the pipe sizing for the system from the length column selected in Table A-2.6.1.1.(1) using the fixture unit values given in Tables 2.6.3.1. and 2.6.3.2.

Table A-2.6.1.1.(1)
Pipe Sizes for Water Systems Based on Number of Fixture Units Served⁽¹⁾

Water Service, inches	Water Distribution System, inches	Maximum Allowable Length, m														
		12	18	24	30	46	61	76	91	122	152	183	213	244	274	305
Pressure Range		Number of Fixture Units Served														
200 to 310 kPa																
3/4	1/2	6	5	4	3	2	1	1	1	0	0	0	0	0	0	0
3/4	5/8	12	10	9	7	5	3	3	3	2	2	1	1	1	1	0
3/4	3/4	18	16	14	12	9	6	5	5	4	4	3	2	2	2	1
3/4	1	29	25	23	21	17	15	13	12	10	9	7	6	6	6	6
1	1	36	31	27	25	20	17	15	13	12	10	8	6	6	6	6
1	1 1/4	54	47	42	38	32	28	25	23	19	17	14	12	12	11	11
1 1/2	1 1/4	90	68	57	48	38	32	28	25	21	18	15	12	12	11	11
1 1/2	1 1/2	151	124	105	91	70	57	49	45	36	31	26	23	21	20	20
2	1 1/2	210	162	132	110	80	64	53	46	38	32	27	23	21	20	20
1 1/2	2	220	205	190	176	155	138	127	120	104	85	70	61	57	54	51
2	2	372	329	292	265	217	185	164	147	124	96	70	61	57	54	51
2	2 1/2	445	418	390	370	330	300	280	265	240	220	198	175	158	143	133

Copyright © NRC 1941 - 2019 World Rights Reserved © CNRC 1941-2019 Droits réservés pour tous pays

Table A-2.6.1.1.(1) (Continued)

Water Service, inches	Water Distribution System, inches	Maximum Allowable Length, m														
		12	18	24	30	46	61	76	91	122	152	183	213	244	274	305
Pressure Range		Number of Fixture Units Served														
311 to 413 kPa																
3/4	1/2	9	7	6	5	4	3	2	2	1	1	1	0	0	0	0
3/4	5/8	18	15	12	11	9	7	5	5	3	3	2	2	1	1	1
3/4	3/4	27	23	19	17	14	11	9	8	6	5	4	4	3	3	3
3/4	1	44	40	36	33	28	23	21	19	17	14	12	10	9	8	8
1	1	60	47	41	36	30	25	23	20	18	15	12	10	9	8	8
1	1 1/4	102	87	76	67	52	44	39	36	30	27	22	20	19	17	16
1 1/2	1 1/4	156	130	106	89	66	52	44	39	33	29	24	20	19	17	16
1 1/2	1 1/2	270	225	193	167	128	105	90	78	62	52	42	38	35	32	30
2	1 1/2	286	286	242	204	150	117	98	84	67	55	42	38	35	32	30
1 1/2	2	360	360	340	318	272	240	220	198	170	150	135	123	110	102	94
2	2	570	510	470	430	368	318	280	250	205	165	142	123	110	102	94
2	2 1/2	680	640	610	580	535	500	470	440	400	365	335	315	285	267	250
Over 413 kPa																
3/4	1/2	11	9	7	6	5	4	3	3	2	1	1	1	1	1	0
3/4	5/8	21	18	15	14	11	8	7	6	5	4	3	3	3	2	2
3/4	3/4	31	28	24	22	17	13	11	10	8	7	6	6	5	4	4
3/4	1	63	53	47	42	35	30	27	24	21	17	14	13	12	12	11
1	1	72	66	55	48	38	32	29	26	22	18	14	13	12	12	11
1	1 1/4	140	126	108	96	74	62	53	47	39	31	26	25	23	22	21
1 1/2	1 1/4	156	156	150	127	93	74	62	54	43	34	26	25	23	22	21
1 1/2	1 1/2	286	286	273	240	186	154	130	113	88	73	51	51	46	43	40
2	1 1/2	286	286	286	275	220	170	142	122	98	82	64	51	46	43	40
1 1/2	2	360	360	360	360	360	335	305	282	244	212	187	172	153	141	129
2	2	611	611	610	560	478	420	375	340	288	245	204	172	153	141	129
2	2 1/2	690	690	690	690	690	650	610	570	510	460	430	404	380	356	329

Notes to Table A-2.6.1.1.(1):

(1) Branch pipes up to 7 m developed length (from main to outlet or fixture) may supply a maximum of 4 fixture units if they are half-inch nominal size and a maximum of 16 fixture units if they are three-quarter-inch nominal size.

Copyright © NRC 1941 - 2019 World Rights Reserved © CNRC 1941-2019 Droits réservés pour tous pays

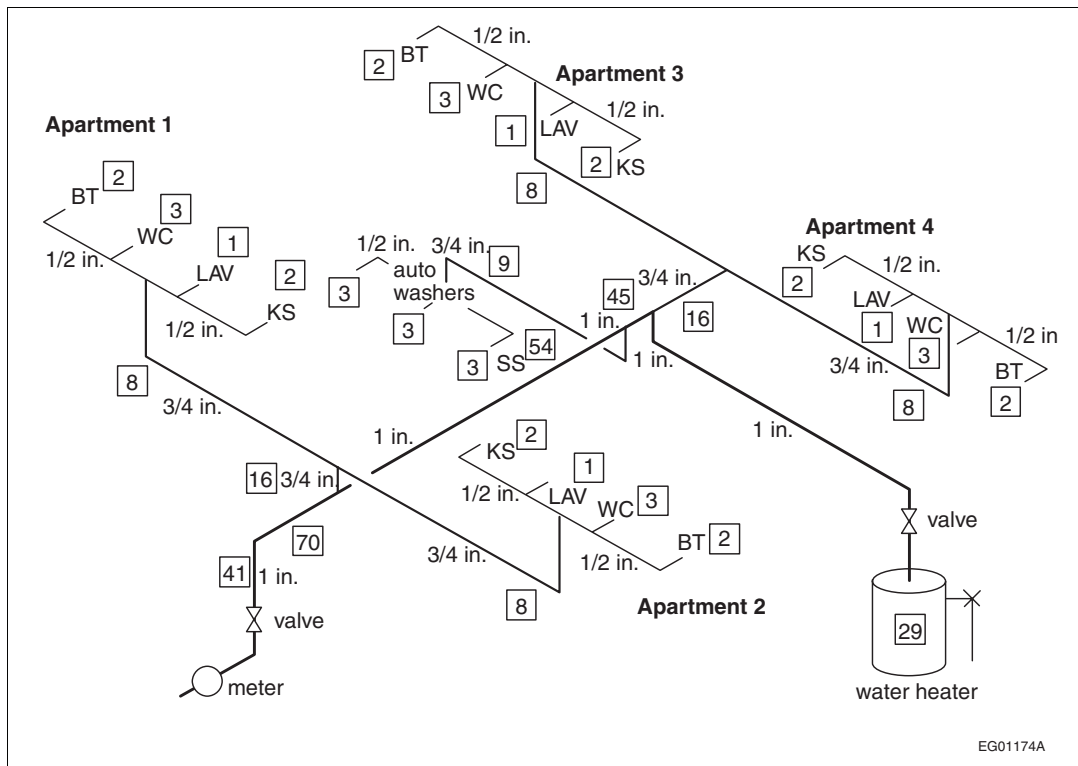


Figure A-2.6.1.1.(1)-A
Cold Water Supply Pipe Sizing for a Four-Unit Apartment Building

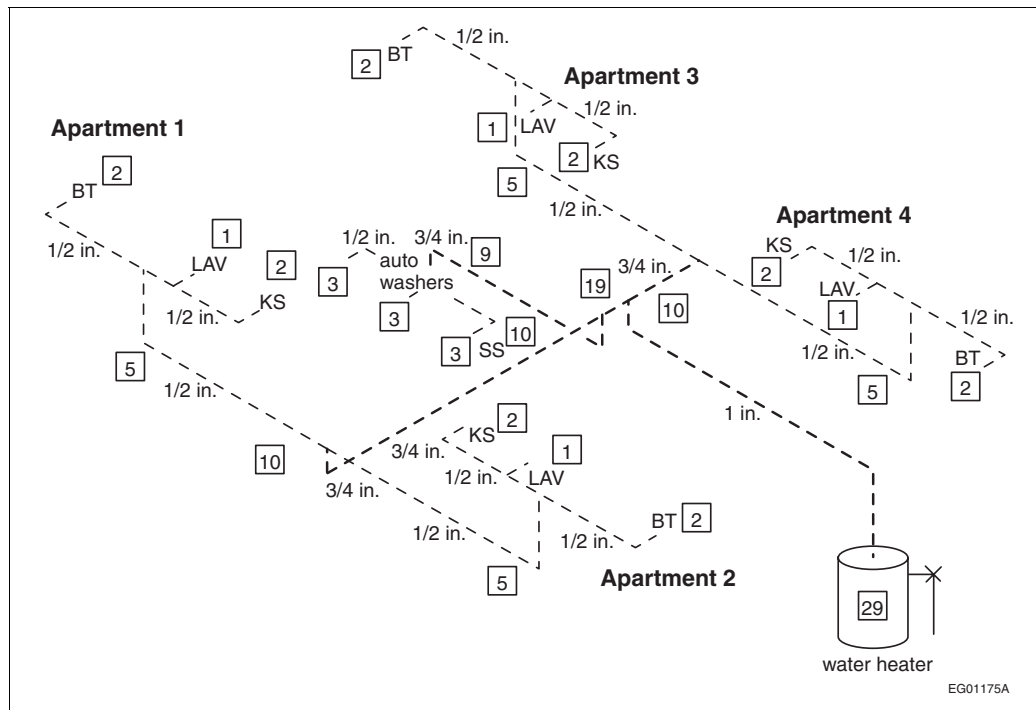


Figure A-2.6.1.1.(1)-B
Hot Water Supply Pipe Sizing for a Four-Unit Apartment Building

Example: Sizing the Water Pipe in a Four-Unit Apartment Building

Figures A-2.6.1.1.(1)-A and A-2.6.1.1.(1)-B illustrate the cold and hot water supply piping for a four-unit apartment building. Each apartment has a kitchen sink, a flush tank water closet, a lavatory and a bathtub.

The water heater and a laundry room with one service sink and two automatic clothes washers are located in the basement of the apartment building.

For the purpose of this example, the following conditions are assumed:

- (a) water pressure at the meter is 413 kPa,
- (b) developed length of the cold water piping from the property line to the most remote cold water outlet is 18 m, and
- (c) the elevation (head) difference between the property line and the highest water supply outlet is 3.65 m.

Step 1A. The cold water supply fixture unit (cwsfu) demand for the entire building is calculated as follows from the "Private Use" column of Table 2.6.3.1. (The numbers in squares at each fixture or section of pipe shown in Figures A-2.6.1.1.(1)-A and A-2.6.1.1.(1)-B indicate the water supply fixture unit demand at that location.)

Each apartment has:	
1 kitchen sink	2 cwsfu
1 water closet	3 cwsfu
1 lavatory	1 cwsfu
1 bathtub	2 cwsfu
Total cwsfu each apartment	8 cwsfu
	x 4 apts.
	32 cwsfu
1 service sink	3 cwsfu
2 automatic clothes washers at 3 cwsfu each	6 cwsfu
Total cwsfu demand of building	41 cwsfu

Step 1B. The hot water supply fixture unit (hwsfu) demand for the entire building is calculated as follows from the "Private Use" column of Table 2.6.3.1.

Each apartment has	
1 kitchen sink	2 hwsfu
1 lavatory	1 hwsfu
1 bathtub	2 hwsfu
Total each apartment	5 hwsfu
	x 4 apts.
	20 hwsfu
1 service sink	3 hwsfu
2 automatic clothes washers at 3 hwsfu each	6 hwsfu
Total hwsfu demand of building	29 hwsfu

This demand of 29 hwsfu is assigned to the water heater in Figures A-2.6.1.1.(1)-A and A-2.6.1.1.(1)-B.

Step 2. The developed length is given as 18 m.

Step 3. The elevation (head) difference is given as 3.65 m.

$$10 \text{ kPa} \times 3.65 = 36.5 \text{ kPa}$$

Step 4. The available pressure is given as 413 kPa.

$$413 - 36.5 = 376 \text{ kPa}$$

Step 5. A building with 376 kPa static water pressure is sized from the second portion of Table A-2.6.1.1.(1) – the 311 to 413 kPa pressure range.

Step 6. The water piping for this entire building will be sized from the 18 m column of the 311 to 413 kPa pressure range portion of Table A-2.6.1.1.(1).

Step 7. The size of the water service is determined to be 1-inch pipe because the cold water supply fixture unit value calculated in Step 1A (41 cwsfu) falls between the 40 and 47 fixture unit values on the chart, and the higher 47 fixture unit value must be used.

Step 8. The size of the building supply pipe is also determined to be 1 inch from this same line of the Table.

Step 9. Since the fixtures in apartment 3 are most remote from the water service pipe, the sizing will begin in apartment 3 and proceed back toward the water service pipe.

With a demand of 8 cwsfu on the pipe supplying the cold water to apartment 3, it is sized as three-quarter inch pipe. However, the individual fixtures in apartment 3 are all supplied with half-inch fixture branch piping. (The sizing of the cold water piping of the other 3 individual apartments is identical to that of apartment 3.)

At the point where the cold water supply to apartment 3 joins the supply to apartment 4, the pipe serves a demand of 16 cwsfu. However, it does not increase in size, since a three-quarter inch pipe will supply 23 cwsfu. (This sizing also applies to the point where the cold water supply for apartments 1 and 2 join.)

A three-quarter inch pipe will adequately serve the 9 cwsfu demand of the service sink and two automatic clothes washers located in the basement laundry room.

Step 10. The hot water supply fixture unit demand of the water heater is 29 hwsfu (as calculated in Step 1), which requires a 1-inch cold water supply pipe.

Step 11. At the point where the cold water supply to the water heater is taken from the cold water main, the cold water supply fixture unit demand increases to 45 cwsfu and the Table indicates that the pipe size is 1 inch.

Step 12. Referring to Figure A-2.6.1.1.(1)-B (which illustrates the sizing of the hot water piping in the 4-unit apartment building of this example), the sizing begins in apartment 1, which is the apartment most remote from the water heater. A half-inch size branch pipe will adequately serve the 3 fixtures in this apartment that require a hot water supply. (A half-inch pipe serves the other 3 apartments' hot water needs as well.)

At the point where the hot water supply to apartments 1 and 2 joins the hot water main, the piping is increased to three-quarter inch. This same three-quarter inch pipe is also large enough to supply the combined 19 hwsfu demand of apartments 1 and 2 plus the basement laundry room.

The 9 hwsfu demand of the laundry room fixtures requires only a three-quarter inch size branch pipe.

The sizing of the hot water supply piping to apartments 3 and 4 is identical to that for apartments 1 and 2.

At the point where the hot water supply pipe for apartments 1 and 2 and the laundry room joins the supply to apartments 3 and 4, the pipe is increased to 1-inch size. The 1-inch size pipe is continued back to the hot water outlet of the heater.

A-2.6.1.3.(5) Where multiple risers convey the water supply to dwelling units, each dwelling unit's water distribution system shall be provided with a shut-off valve located immediately where the water piping enters the suite so as to isolate the fixtures as well as the water distribution piping serving the dwelling unit's fixtures. Fixture stopcocks or shut-off valves located immediately adjacent to a fixture may not be adequate to protect the water distribution piping. Where a dwelling unit is served by a single shut-off valve on the water supply, additional shut-off valves may be required to achieve compliance with Sentences 2.6.1.3.(4) and (7).

A-2.6.1.7.(5) Relief Valves. If the discharge piping is longer than 2 m or more than two 90° elbows are used, the valve manufacturer's installation instructions should be followed to ensure that the piping does not affect the relief valves' discharge capacity.

A-2.6.1.9.(1) Water Hammer Prevention. Water hammer is a buildup of pressure in a length of horizontal or vertical pipe that occurs when a valve or faucet is closed suddenly. The longer the pipe and the greater the water velocity, the greater the pressure exerted on the pipe, which can be many times the normal static water pressure and be sufficient to damage the piping system. Since air chambers made from a piece of vertical pipe do not provide acceptable protection, pre-manufactured water hammer arresters are required to address this potential problem. Water hammer arresters need not be installed at every valve or faucet, nor in every piping system.

A-2.6.1.11.(1) Thermal Expansion. ★ To accommodate the increase in pressure caused by thermal expansion within a closed water distribution system, one of the following should be installed:

- (1) a suitably sized diaphragm expansion tank designed for use within a potable water system,
- (2) an auxiliary thermal expansion relief valve (T.E.R. valve) conforming to CAN/CSA-B125.3, "Plumbing Fittings," set at a pressure of 550 kPa or less and designed for repeated use, or
- (3) other means acceptable to the authority having jurisdiction.

A-2.6.1.12.(1) Service Water Heaters. ★ Storing hot water at temperatures below 60°C in the hot water tank or in the delivery system may lead to the growth of legionella bacteria. Contemporary electric water heater tanks experience temperature stratification and thus tend to have legionella bacteria in the lower parts of the tank. Article 2.6.1.12. specifies a thermostat setting of 60°C, which addresses the concern over the growth of legionella bacteria in electric hot water storage tanks and is enforceable without introducing unnecessary complications. The growth of legionella bacteria is not a concern for other types of water heaters with different designs that use different fuels.

Electrically heated water heaters are shipped with the thermostat set at 60°C. Article 2.6.1.12. is included in the NPC to formalize this de facto temperature setting as a requirement. The thermostats have graduated temperature markings to allow such a setting, which is not the case with gas- or oil-heated water heaters.

A-2.6.2.1.(3) Backflow Preventers. CAN/CSA B64.10.1, "Manual for the Maintenance and Field Testing of Backflow Prevention Devices," is considered to represent good practice as regards procedures for the maintenance and field testing of backflow preventers.

A-2.6.2.4.(2) Backflow from Fire Protection Systems. The following document is considered to be good engineering practice when selecting a backflow preventer for installation on a fire protection system: Manual M14, "Recommended Practice for Backflow Prevention and Cross-Connection Control."

Table A-2.6.2.4.(2)
Selection Guide for Backflow Prevention Devices on Fire Sprinkler and Standpipe Systems

CSA Standard Number	Type of Device ⁽¹⁾	Systems Made with Potable Water System Materials		Systems Not Made with Potable Water System Materials	
		Minor Hazard — Residential Partial Flow-Through System	Minor Hazard — Class 1 System	Moderate Hazard — Class 1, 2, 3 and 6 Systems	Severe Hazard — Any Class of System in which Antifreeze or Other Additives Are Used
B64.6.1	DuCF	P	NP	NP	NP
B64.9	SCVAF	P	P	NP	NP
B64.5.1	DCVAF	P	P	P	NP
B64.4.1	RPF	P	P	P	P

NP = Not permitted
P = Permitted

Notes to Table A-2.6.2.4.(2):

(1) The "F" indicates that the product is only recommended for use on fire sprinkler and standpipe systems.

A-2.6.2.4.(3) Fire Department Pumper Connection and Backflow Protection.

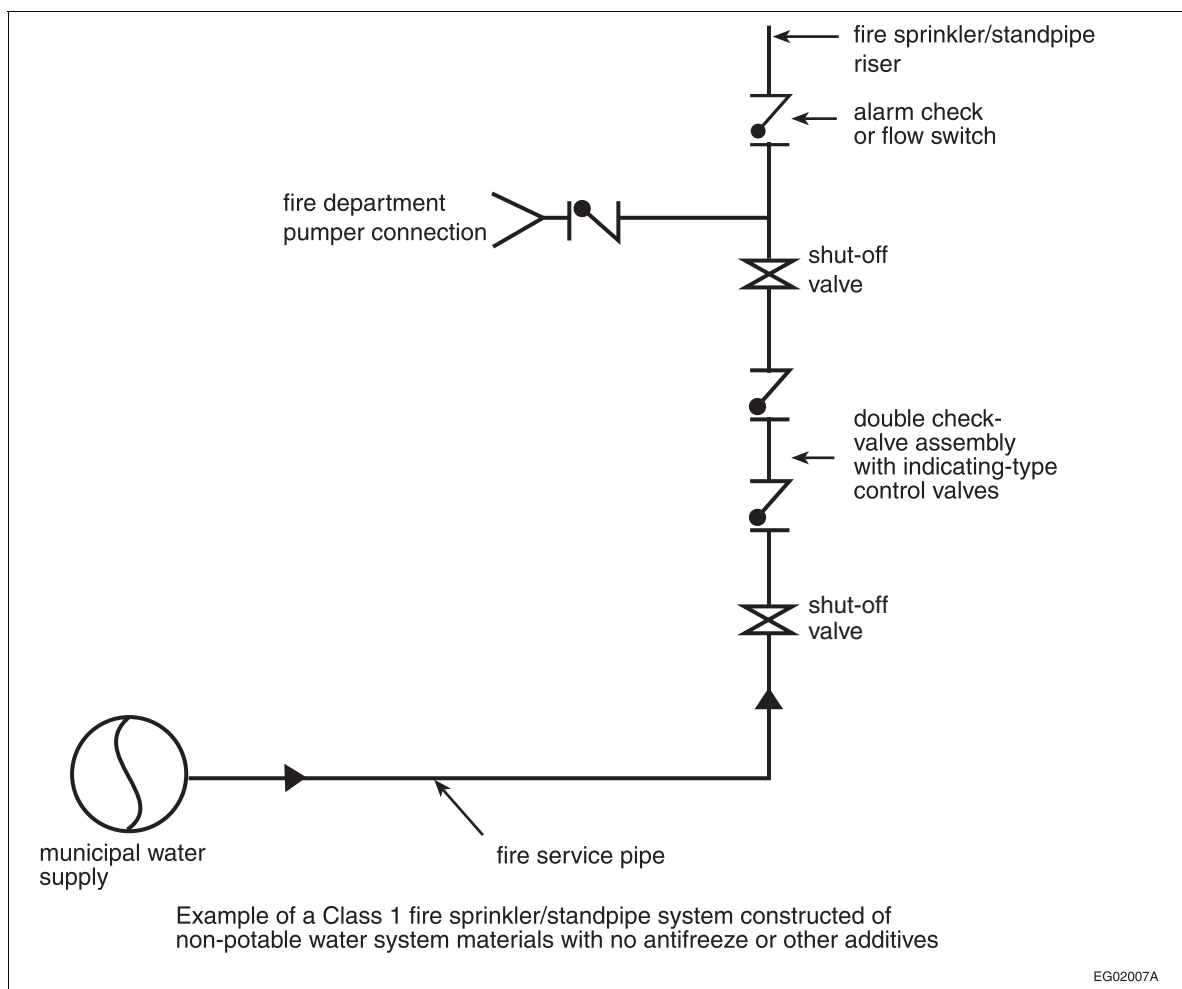


Figure A-2.6.2.4.(3)
Fire Department Pumper Connection and Backflow Protection

Copyright © NRC 1941 - 2019 World Rights Reserved © CNRC 1941-2019 Droits réservés pour tous pays

A-2.6.2.6.(1) Locations Requiring Premise Isolation. The following list is a guide to locations where premise isolation may be required:

- hospital buildings with operating, mortuary or laboratory facilities
- radioactive material processing plants
- petroleum processing facilities
- premises where inspection is restricted
- sewage treatment plants
- commercial laundries (excluding laundromats)
- plating or chemical plants
- docks and dockside facilities
- food and beverage processing plants
- steam plants
- trackside facilities for trains

An assessment of the hazard must be carried out to determine the need, if any, for a backflow prevention device.

A-2.6.2.9.(2) Installation of Air Gaps.

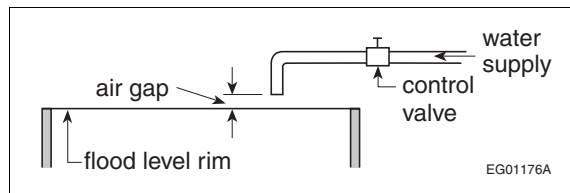


Figure A-2.6.2.9.(2)
Installation of Air Gaps

A-2.6.2.10.(2) Installation of Atmospheric Vacuum Breakers.

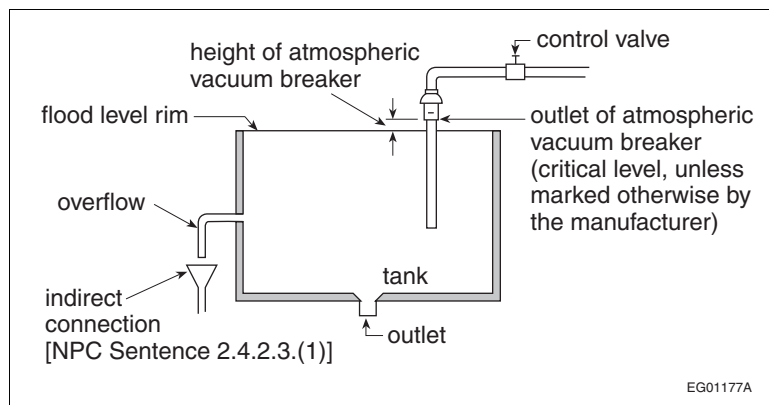


Figure A-2.6.2.10.(2)
Installation of Atmospheric Vacuum Breakers

A-2.6.3. Water Systems. This Subsection contains performance requirements for water systems. Two widely used references for the design of water systems are:

- Water-Distributing Systems for Buildings by R. B. Hunter, Building Materials and Structures Report BMS-79, United States Department of Commerce, National Bureau of Standards, Washington, D.C., 1941, and
- International Plumbing Codes Handbook, edited by V.T. Manas, McGraw-Hill Book Company, New York, U.S.A., 2006.

A-2.7.3.2.(1) Outlets from Non-Potable Water Systems. The location of outlets from non-potable water systems where they can be discharged into a sink or lavatory, a fixture into which an outlet from a potable water system is discharged, or a fixture that is used for the preparation, handling or dispensing of food, drink or products that are intended for human consumption, may have proven acceptable on the basis of past performance in some localities, and its acceptance under this Code may be warranted.

Division C

Administrative Provisions



Part 1

General

1.1.	Application	
1.1.1.	Application	1- 1
1.2.	Terms and Abbreviations	
1.2.1.	Definitions of Words and Phrases	1- 1
1.2.2.	Symbols and Other Abbreviations	1- 1

Part 1 General

Section 1.1. Application

1.1.1. Application

1.1.1.1. Application

1) This Part applies to all *plumbing systems* covered in this Code. (See Article 1.1.1.1. of Division A.)

Section 1.2. Terms and Abbreviations

1.2.1. Definitions of Words and Phrases

1.2.1.1. Non-defined Terms

1) Words and phrases used in Division C that are not included in the list of definitions in Article 1.4.1.2. of Division A shall have the meanings that are commonly assigned to them in the context in which they are used, taking into account the specialized use of terms by the various trades and professions to which the terminology applies.

2) Where objectives and functional statements are referred to in Division C, they shall be the objectives and functional statements described in Parts 2 and 3 of Division A.

3) Where acceptable solutions are referred to in Division C, they shall be the provisions stated in Part 2 of Division B.

4) Where alternative solutions are referred to in Division C, they shall be the alternative solutions mentioned in Clause 1.2.1.1.(1)(b) of Division A.

1.2.1.2. Defined Terms

1) The words and terms in italics in Division C shall have the meanings assigned to them in Article 1.4.1.2. of Division A.

1.2.2. Symbols and Other Abbreviations

1.2.2.1. Symbols and Other Abbreviations

1) The symbols and other abbreviations in Division C shall have the meanings assigned to them in Article 1.4.2.1. of Division A.

Part 2

Administrative Provisions

2.1.	Application	
2.1.1.	Application	2- 1
2.2.	Administration	
2.2.1.	Administration	2- 1
2.2.2.	Plumbing Drawings and Related Documents	2- 1
2.3.	Alternative Solutions	
2.3.1.	Documentation of Alternative Solutions	2- 1

Part 2

Administrative Provisions

Section 2.1. Application

2.1.1. Application

2.1.1.1. Application

1) This Part applies to all *plumbing systems* covered in this Code. (See Article 1.1.1.1. of Division A.)

Section 2.2. Administration

2.2.1. Administration

2.2.1.1. Administrative Requirements

1) This Code shall be administered in conformance with the appropriate provincial or territorial regulations, municipal bylaws or, in the absence of such regulations or bylaws, in conformance with the applicable requirements in the Administrative Requirements for Use with the National Building Code of Canada 1985.

2.2.2. Plumbing Drawings and Related Documents

2.2.2.1. Information Required on Plumbing Drawings and Related Documents

1) Plumbing drawings and related documents submitted with the application for a plumbing permit shall show

- a) the location and *size* of every *building drain* and of every *trap* and *cleanout* fitting that is on a *building drain*,
- b) the *size* and location of every *soil-or-waste pipe*, *trap* and *vent pipe*, and
- c) a layout of the *potable water distribution system*, including pipe *sizes* and valves.

Section 2.3. Alternative Solutions

2.3.1. Documentation of Alternative Solutions

(See Appendix A.)

2.3.1.1. Documentation

1) Documentation conforming to this Subsection shall be provided by the person requesting the use of an alternative solution to demonstrate that the proposed alternative solution complies with this Code.

- 2)** The documentation referred to in Sentence (1) shall include
 - a) a Code analysis outlining the analytical methods and rationales used to determine that the proposed alternative solution will achieve at least the level of performance required by Clause 1.2.1.1.(1)(b) of Division A, and
 - b) information concerning any special maintenance or operation requirements, including any *plumbing system* component commissioning requirements, that are necessary for the alternative solution to achieve compliance with the Code after the *plumbing system* is installed.
- 3)** The Code analysis referred to in Clause (2)(a) shall identify the applicable objectives, functional statements and acceptable solutions, and any assumptions, limiting or restricting factors, testing procedures, engineering studies or performance parameters that will support a Code compliance assessment.
- 4)** The Code analysis referred to in Clause (2)(a) shall include information about the qualifications, experience and background of the person or persons taking responsibility for the design.
- 5)** The information provided under Sentence (3) shall be in sufficient detail to convey the design intent and to support the validity, accuracy, relevance and precision of the Code analysis.
- 6)** Where the design of a *plumbing system* includes proposed alternative solutions that involve more than one person taking responsibility for different aspects of the design, the applicant for the permit shall identify a single person to co-ordinate the preparation of the design, Code analysis and documentation referred to in this Subsection.

Appendix A

Explanatory Material

A-2.3.1. Documentation of Alternative Solutions. Beyond the purposes of demonstrating compliance and acquiring an installation permit, there are other important reasons for requiring that the proponent of an alternative solution submit project documentation (i.e. a compliance report) to the authority having jurisdiction and for the authority having jurisdiction to retain that documentation for a substantial period following the installation of a plumbing system:

- Most jurisdictions require that a plumbing system be maintained in compliance with the codes under which it was installed. Alternative solutions made possible by objective-based codes may have special maintenance requirements, which would be described in the documentation.
- Documentation helps consultants perform code compliance assessments of existing buildings or facilities before they are sold and informs current owners or prospective buyers of existing buildings or facilities of any limitations pertaining to their future use or development.
- Documentation provides design professionals with the basic information necessary to design changes to an existing plumbing system.
- An alternative solution could be invalidated by a proposed alteration to a plumbing system. Designers and regulators must therefore know the details of the particular alternative solutions that were integral to the original design. Complete documentation should provide insight as to why one alternative solution was chosen over another.
- Documentation is the “paper trail” of the alternative solution negotiated between the designer and the regulator and should demonstrate that a rational process led to the acceptance of the alternative solution as an equivalency.
- It is possible that over time a particular alternative solution may be shown to be inadequate. It would be advantageous for a jurisdiction to know which plumbing systems included that alternative solution as part of their design: documentation will facilitate this type of analysis.
- Project documentation provides important information to a forensic team that is called to investigate an accident or why a design failed to provide the level of performance expected.

This subject is discussed in further detail in “Recommended Documentation Requirements for Projects Using Alternative Solutions in the Context of Objective-Based Codes,” which was prepared for the CCBFC Task Group on Implementation of Objective-Based Codes and is available at www.nationalcodes.ca.

This Appendix is included for explanatory purposes only and does not form part of the requirements. The number that introduces the Appendix Note corresponds to the applicable requirement in this Division.

Index

A

Abbreviations
proper names, 1.3.2.1.
symbols, 1.4.2.1.[A]
Acceptable solutions, 1.2.1.1.[A]
Accessibility, 2.1.3.2.
Acrylonitrile-butadiene-styrene (ABS) pipe, 2.2.5.10.,
2.2.5.11., 2.2.5.12., 2.3.4.5., 2.4.6.4.
Administration, 2.2.[C]
Air admittance valves, 2.2.10.16., 2.5.9.
Air breaks, 1.4.1.2.[A], 2.3.3.11., 2.4.2.3., 2.6.1.7.
Air gaps, 1.4.1.2.[A], 2.6.2.2., 2.6.2.3., 2.6.2.9.
Air pressure tests, 2.3.6.1. - 2.3.6.3., 2.3.6.5., 2.3.7.1.,
2.3.7.2.
Alternative solutions, 1.2.1.1.[A]
documentation, 2.3.1.1.[C]
Ancillary buildings, 2.1.2.4.
Application of Code, 1.1.1.1.[A]
Application of Division B, 1.3.3.[A]
Asbestos-cement pipe and fittings, 2.2.5.1., 2.2.5.2.,
2.2.6.2., 2.3.4.5., 2.3.5.2.

B

Back pressure
backflow caused by, 2.6.2.3.
definition, 1.4.1.2.[A]
fire protection systems, 2.6.2.4.
Back-siphonage, 2.2.10.8., 2.6.1.7.
definition, 1.4.1.2.[A]
fire protection systems, 2.6.2.4.
preventers, 1.4.1.2.[A], 2.2.10.10., 2.6.2.2., 2.6.2.10.,
2.6.2.11.
prevention, 2.6.2.
Backfill for piping, 2.3.5.1.
Backflow
definition, 1.4.1.2.[A]
preventers, 1.4.1.2.[A], 2.2.10.10., 2.6.2.1., 2.6.2.2.,
2.6.2.12.
protection from, 2.4.2.1., 2.4.6.4., 2.6.2.3., 2.6.2.4.,
2.6.2.6., 2.6.2.7.
Backwater valves, 1.4.1.2.[A], 2.4.2.1., 2.4.3.6., 2.4.6.4.
Ball tests, 2.3.6.1., 2.3.6.2., 2.3.6.7.
Branch vents, 1.4.1.2.[A], 2.5.1.1., 2.5.7.2., 2.5.8.3.

Branches
definition, 1.4.1.2.[A]
hydraulic load, 2.4.10.7.
protection from backflow, 2.4.6.4.
serving water closets, 2.4.9.2.
size, 2.4.9.2.
Brass floor flanges, 2.2.10.1.
Brass pipe, 2.2.7.1., 2.3.4.5.
Brass pipe flanges and fittings, 2.2.7.2., 2.2.7.3.
Bronze pipe flanges and fittings, 2.2.7.2., 2.2.7.3.
Buildings, 1.4.1.2.[A]
Building drains
cleanout, 2.4.7.1.
combined, 1.4.1.2.[A], 2.1.2.1., 2.4.6.1.
definition, 1.4.1.2.[A]
drawings for plumbing permit, 2.2.2.1.[C]
hydraulic load, 2.4.10.8., 2.4.10.9.
protection from backflow, 2.4.6.4.
protection from damage, 2.3.5.
sanitary, 1.4.1.2.[A], 2.4.10.8.
size, 2.4.9.2., 2.4.9.4., 2.4.10.6., 2.4.10.9.
storm, 1.4.1.2.[A], 2.4.10.9.
venting, 2.5.8.4.
Building sewers
cleanouts, 2.4.7.1.
combined, 1.4.1.2.[A], 2.4.5.2., 2.4.10.9.
definition, 1.4.1.2.[A]
developed length, 2.4.7.2.
hydraulic load, 2.4.10.8., 2.4.10.9.
mobile homes, 2.4.6.5.
sanitary, 1.4.1.2.[A], 2.4.7., 2.4.10.8.
size, 2.4.9.4., 2.4.10.6., 2.4.10.9.
slope, 2.4.10.6., 2.4.10.9.
storm, 1.4.1.2.[A], 2.4.10.9.
Building traps, 2.4.5.
cleanout, 2.4.5.4.
definition, 1.4.1.2.[A]
fresh air inlets, 2.5.5.4.
location, 2.4.5.4.

C

Cast-iron fittings, 2.2.6.2.
Cast-iron soil pipe and fittings, 2.2.6.1., 2.2.6.3., 2.3.4.5.

[A] – Reference occurs in Division A. [C] – Reference occurs in Division C. All other references occur in Division B.

Cast-iron water pipe and fittings, 2.2.6.4., 2.2.6.5., 2.3.4.5.
Catch basins
 concrete, 2.2.5.3.
Caulked lead drainage joints, 2.3.2.1.
Caulking compounds, cold, 2.3.2.7.
Cement jointing mortar, 2.2.9.1.
Cement-mortar pipe lining, 2.2.6.4.
Ceramic china fixtures, 2.2.2.2.
Check valves, 1.4.1.2.[A], 2.4.2.1., 2.4.6.3., 2.6.1.5.
Chlorinated polyvinyl chloride (CPVC) pipe and fittings, 2.2.5.9., 2.3.4.5.
Cleaning of water systems, 2.6.2.8.
Cleanouts
 definition, 1.4.1.2.[A]
 drawings for plumbing permit, 2.2.2.1.[C]
 fittings, 2.2.10.3., 2.4.7.1.
 installation, 2.4.7.
 location, 2.4.7.1., 2.4.7.4.
 manhole as, 2.4.7.3.
 rodding, 2.4.7.2., 2.4.7.4.
 size and spacing, 2.4.7.2.
 traps (for), 2.4.5.3., 2.4.5.4., 2.4.7.1., 2.4.7.4.
Clear-water waste, 1.4.1.2.[A], 2.4.2.1.
Climatic data, 2.4.10.4.
Cold caulked joints, 2.3.2.7.
Combined building drains
 definition, 1.4.1.2.[A]
 restricted use, 2.1.2.1., 2.4.6.1.
Combined building sewers, 1.4.1.2.[A], 2.4.5.2., 2.4.10.9.
Combined sewers, 1.4.1.2.[A]
Combined temperature- and pressure-relief valves, 2.2.10.11.
Combustible
 definition, 1.4.1.2.[A]
 piping, 2.2.5.12.
Compliance, 1.2.1.1.[A]
Concrete pipe and fittings, 2.2.5.3.
Conflicting requirements, 1.5.1.2.[A]
Connections
 direct, 2.4.2.1., 2.4.2.3.
 dissimilar, 2.3.3.6.
 drainage systems, 2.4.2., 2.4.3.4.
 fixture, 2.4.2.1.
 indirect, 2.4.2.1.
 lead bend, 2.4.2.1.
 nominally horizontal offset, 2.4.2.1.
 nominally horizontal soil-or-waste pipe, 2.4.2.1.
 running thread and packing nut, 2.3.3.4.
 service, 2.1.2.
 slip joint, 2.3.3.4.
 trap, 2.2.3.1.
Continuous vents, 1.4.1.2.[A], 2.5.1.1., 2.5.2.1., 2.5.8.3.
Cooling of hot waste, 2.4.4.2.
Copper pipe, 2.2.7.1., 2.3.2.1., 2.3.4.3., 2.3.4.5.
Copper tube, 2.2.7.4., 2.3.3.2., 2.3.3.10., 2.3.4.5.
Corrosion resistant materials, 2.2.8.
Corrugated steel pipe and couplings, 2.2.6.8.
Couplings, mechanical pipe, 2.2.10.4.
CPVC (see Chlorinated polyvinyl chloride pipe)

Critical level, 1.4.1.2.[A]
Cross fittings, 2.2.4.1.
Crosslinked polyethylene pipe and fittings, 2.2.5.7., 2.3.4.5.
Crosslinked polyethylene/aluminum/crosslinked polyethylene pipe and fittings, 2.2.5.14., 2.3.4.4., 2.3.4.5.

D

Dead ends in piping, 1.4.1.2.[A], 2.4.6.1.
Definitions, 1.4.1.[A]
Developed length
 definition, 1.4.1.2.[A]
 fixture outlet pipes, 1.4.1.2.[A], 2.3.6.2., 2.4.2.3., 2.4.8.2.
 trap arm for vent pipes, 2.5.6.3.
Direct flush valves, 2.2.10.8.
Directly connected, 1.4.1.2.[A]
Dissimilar materials, joints for, 2.3.3.6.
Documents, referenced, 1.5.1.[A], 1.3.1.
Downspouts (see Leaders)
Drainage equipment, 2.4.6.3.
Drainage joints, caulked lead, 2.3.2.1.
Drainage of piping, 2.6.1.2.
Drainage pans, 2.4.2.1., 2.6.1.7.
Drainage piping
 arrangement, 2.4.6.
 asbestos-cement, 2.2.5.1.
 cast iron, 2.2.6.1.
 hydraulic loads, 2.4.10.
 location, 2.4.6.2.
 minimum slope and length, 2.4.8.
 sizing, 2.4.9.
Drainage systems
 arrangement of piping, 2.4.6.
 cleanouts, 2.4.7.
 connections, 2.1.2.1., 2.4.2., 2.4.3.4.
 definition, 1.4.1.2.[A]
 hydraulic loads, 2.4.10.
 location of fixtures, 2.4.3.
 minimum slope and length of pipes, 2.4.8.
 sanitary, 2.1.2.1., 2.4.4.1., 2.4.5.1., 2.4.7.1.
 size of pipes, 2.4.9.
 storm, 2.1.2.2., 2.4.2.1., 2.4.5.2., 2.4.7.1., 2.4.10.9.
 testing, 2.3.6.
 traps, 2.4.5.
 treatment of sewage and wastes, 2.4.4.
Drains (see Building drains, Fixture drains, Roof drains)
Drawings and related documents, 2.2.2.[C]
Drilled and tapped joints, 2.3.3.1.
Drinking fountain bubblers, 2.2.10.9.
Drinking fountains, 2.4.2.1.
Dual vents, 1.4.1.2.[A], 2.5.8.2.
Dwelling units, 1.4.1.2.[A]

E

Eavestroughs (see Gutters, roof)
Ejectors, 2.4.6.3.
Electrical insulation at piping supports, 2.3.4.3.
Enamelled fixtures, 2.2.2.2.
Expansion and contraction, piping system, 2.3.3.9.
Extracted tees, 2.3.3.2.

F

Ferrous pipe and fittings, 2.2.6.
Final tests, 2.3.6.1. - 2.3.6.3., 2.3.6.6.
Fire separations, 1.4.1.2.[A]
Fittings
 brass or bronze, 2.2.7.2., 2.2.7.3.
 butt-fusion, 2.2.5.5.
 cast-iron, 2.2.6.1. - 2.2.6.3., 2.2.6.5.
 concrete, 2.2.5.3.
 corrosion resistant, 2.2.8.
 corrugated steel, 2.2.6.8.
 couplings, 2.2.6.8.
 CPVC hot and cold water pipe, 2.2.5.9.
 cross, 2.2.4.1.
 crosslinked polyethylene, 2.2.5.7.
 crosslinked polyethylene/aluminum/crosslinked polyethylene, 2.2.5.14.
 drawings for plumbing permit, 2.2.2.1.[C]
 ferrous, 2.2.6.
 flared joint, 2.2.7.7.
 installation of pipe, 2.3.2.1.
 lead, 2.2.7.8.
 malleable iron, 2.2.6.6.
 marking, 2.2.1.3.
 non-ferrous, 2.2.7.
 non-metallic, 2.2.5.
 90° elbows, 2.2.4.3.
 plastic, 2.2.5.10., 2.2.5.12.
 polyethylene/aluminum/polyethylene, 2.2.5.13.
 polypropylene, 2.2.5.15.
 restrictions on use, 2.2.4., 2.2.5.3., 2.2.5.4.
 screwed, 2.2.6.5., 2.2.6.6.
 single or double sanitary T, 2.2.4.2.
 solder-joint, 2.2.7.5., 2.2.7.6.
 supply and waste, 2.2.10.6.
 T, 2.2.4.1.
 vitrified clay, 2.2.5.4.
Fixture drains
 cleanouts, 2.4.7.1.
 connections to wet vents, 2.5.2.1., 2.5.3.1.
 definition, 1.4.1.2.[A]
 directly connected, 2.4.2.3.
 fixture traps, 2.5.6.3.
 for floor outlet fixtures, 2.3.3.8.
 minimum slope, 2.4.8.1.
 protection from backflow, 2.4.6.4.
 venting of traps, 2.5.1.1.
Fixture outlet pipes
 definition, 1.4.1.2.[A]
 developed length, 2.4.8.2.

 for indirectly connected fixtures, 2.4.2.3.
 size, 2.4.9.3.
Fixture units
 conversion to litres, 2.4.10.5.
 definition, 1.4.1.2.[A]
Fixtures
 ceramic, 2.2.2.2.
 connections, 2.4.2.1. - 2.4.2.3., 2.5.5.5., 2.5.6.4.
 construction, 2.2.2.
 definition, 1.4.1.2.[A]
 enamelled, 2.2.2.2.
 future installation, 2.5.5.5.
 hydraulic load, 2.4.9.3., 2.4.10., 2.4.10.2., 2.4.10.3.
 hydromassage bathtub, 2.2.2.2.
 indirectly connected, 2.3.3.11., 2.4.2.1., 2.4.5.1.
 installation, 2.1.3.1., 2.3.4.1., 2.4.3.1., 2.6.1.7.
 location, 2.1.3.2., 2.4.3.
 plastic, 2.2.2.2.
 stainless steel, 2.2.2.2.
 standards, 2.2.2.2.
 used, 2.2.1.2.
Flanges
 floor, 2.2.10.1., 2.3.3.8.
 water closet, 2.2.10.2.
Flared joint fittings, 2.2.7.7.
Flared joints, 2.3.2.5.
Flashing, vent pipe, 2.2.10.14.
Flood level rim, 1.4.1.2.[A]
Floor drains
 connections to drainage system, 2.4.2.1., 2.4.3.4., 2.4.5.2.
 traps, 2.4.5.2., 2.5.1.1.
Floor outlet fixtures, drain connections, 2.3.3.8.
Flow control roof drains, 1.4.1.2.[A], 2.4.10.4.
Flushing devices, 2.2.10.8., 2.6.1.6.
Fluxes, 2.2.9.2.
Freezing, protection, 2.3.5.4.
Fresh air inlets, 1.4.1.2.[A], 2.5.5.4.
Functional statements, 3.2.1.1.[A]
 application, 3.1.1.2.[A]

G

Galvanized steel pipe, 2.3.4.5.
Galvanized steel pipe and fittings, 2.2.6.7.
Garbage grinders, 2.4.3.3., 2.4.9.3.
Grease interceptors (see Interceptors)
Groove and shoulder mechanical pipe couplings, 2.2.10.4.
Gutters, roof, 2.4.10.10.

H

Hangers, pipe, 2.3.4.3., 2.3.4.5.
Horizontal offsets (see Offsets in piping)
Horizontal piping, support, 2.3.4.5.
Hose bibb, 2.6.2.7.
Hub and spigot pipe, 2.3.2.1.
Hydrant, frostproof, 2.6.1.4.

Hydraulic loads, 2.6.3.2.
determination, 2.4.10.
Hydromassage bathtub, 2.2.2.2.

I

Increaser fittings, 2.3.3.5.
Indirect connections, 2.3.3.11., 2.4.2.1., 2.4.3.2.
Indirect service water heater, 1.4.1.2.[A]
Indirectly connected, 1.4.1.2.[A]
Individual vent, 1.4.1.2.[A], 2.5.1.1., 2.5.8.2., 2.5.9.1.
Inlets, fresh air, 2.5.5.4.
Installation of fixtures, 2.1.3.1., 2.3.4.1., 2.4.3.1., 2.6.1.3.
Insulation, electrical at piping supports, 2.3.4.3.
Interceptors
capacity, 2.4.4.3.
cleanouts, 2.4.7.1.
definition, 1.4.1.2.[A]
design, 2.2.3.2.
drum trap, 2.2.3.1.
gasoline, 2.4.4.3.
grease, 2.4.4.3.
oil, 2.4.4.3.
replacing traps, 2.4.5.1.
restricted use, 2.4.3.3.
venting, 2.5.5.2.
where required, 2.4.4.3.

J

Jointing materials, 2.2.9.
Joints, pipe, 2.3.2., 2.3.3.

L

Lead
content, 2.2.9.2.
waste pipe and fittings, 2.2.7.8., 2.3.4.5.
Leaders (downspouts)
cleanout, 2.4.7.1.
connections to roof drain, 2.3.3.7.
definition, 1.4.1.2.[A]
hydraulic load, 2.4.10.11.
sheet metal, 2.2.6.9.
traps, 2.4.5.2.
Lighting of rooms, 2.1.3.1.
Loads, hydraulic, 2.4.10.

M

Macerating toilets, 2.2.2.2., 2.4.3.5., 2.4.9.2., 2.5.7.7.
Malleable iron water fittings, screwed, 2.2.6.6.
Manholes
cleanouts (as), 2.4.7.2., 2.4.7.3., 2.5.7.6.
concrete, 2.2.5.3.
Marking of pipes and fittings, 2.2.1.3., 2.7.2.1.

Materials
corrosion resistant, 2.2.8.
Materials and equipment
defects, 1.2.2.1.[A]
exposure, 2.2.1.1.
fittings, 2.2.4. - 2.2.8.
fixtures, 2.2.2.
identification, 2.2.1.3., 2.7.2.1.
jointing, 2.2.9.
miscellaneous, 2.2.10.
traps and interceptors, 2.2.3.
used, 1.2.2.2.[A], 2.2.1.2.
Materials, systems and equipment
characteristics, 1.2.2.1.[A]
Mechanical damage, protection, 2.3.5.5.
Mechanical joints, 2.3.2.6.
pipe couplings, 2.2.10.4.
Mobile home
sewer service, 2.4.6.5.
water service pipe, 2.6.1.10.
Mortar, cement jointing, 2.2.9.1.

N

Neutralizing and dilution tanks, 2.4.4.4.
Nominally horizontal
definition, 1.4.1.2.[A]
piping, 2.3.4.5.
Nominally vertical, 1.4.1.2.[A]
Non-ferrous pipe and fittings, 2.2.7.
Non-metallic pipe and fittings, 2.2.5.
Non-potable water systems, 2.7.
connections to potable water systems, 2.6.2., 2.7.1.1.
identification, 2.7.2.1.
location of pipes and outlets, 2.7.3.1.
Noncombustible
definition, 1.4.1.2.[A]
piping, 2.2.5.12.

O

Objectives, 2.2.1.1.[A]
application, 2.1.1.2.[A]
Occupancy, 1.4.1.2.[A]
Offsets in piping, 1.4.1.2.[A], 2.4.2.1., 2.4.10.6., 2.5.4.4.
Oil interceptors (see Interceptors)
Outlets from non-potable water systems, 2.7.3.2.
Overflows
rainwater tank, 2.4.2.2.
sink, 2.2.2.4.

P

Paved surfaces, hydraulic load, 2.4.10.4.
Permits, plumbing, 2.2.2.1.[C]

Pipe

acrylonitrile-butadiene-styrene (ABS), 2.2.5.10., 2.2.5.12., 2.3.4.5.
applications, summary, 2.2.5., 2.2.6.
asbestos-cement, 2.2.5.1., 2.2.5.2., 2.2.6.2., 2.3.4.5., 2.3.5.2.
brass, 2.2.7.1., 2.2.7.2., 2.3.4.5.
cast-iron soil, 2.2.6.1., 2.3.3.3., 2.3.4.5.
cast-iron water, 2.2.6.4., 2.3.4.5.
chlorinated poly(vinyl chloride) (CPVC), 2.2.5.9., 2.3.4.5.
combustible, 2.2.5.12.
concrete, 2.2.5.3.
copper, 2.2.7.1., 2.3.4.5.
copper tube, 2.2.7.4.
corrosion resistant, 2.2.8.
crosslinked polyethylene, 2.2.5.7.
crosslinked polyethylene/aluminum/crosslinked polyethylene, 2.2.5.14., 2.3.4.5.
ductile-iron water, 2.2.6.4.
ferrous, 2.2.6.
flanges and fittings, brass or bronze, 2.2.7.2., 2.2.7.3.
galvanized steel, 2.3.4.5.
hangers, 2.3.4.3., 2.3.4.5.
hub and spigot, 2.3.2.1.
hydraulic load, 2.4.10.1.
joints and connections, 2.3.2., 2.3.3.
lead waste, 2.2.7.8., 2.3.4.5.
leaders, 2.2.6.9.
marking, 2.2.1.3., 2.7.2.1.
non-ferrous, 2.2.7.
non-metallic, 2.2.5.
noncombustible, 2.2.5.12.
open end, 2.4.6.1.
plastic, 2.2.5.10., 2.2.5.12., 2.3.4.5.
polyvinyl chloride (PVC), 2.2.5.8., 2.3.4.5.
polyethylene water, 2.2.5.5.
polyethylene/aluminum/polyethylene, 2.2.5.13., 2.3.4.5.
polypropylene, 2.2.5.15., 2.3.4.5.
protection, 2.3.5.
sheet metal leaders, 2.2.6.9.
size, 2.4.9.
steel, 2.2.6.7., 2.2.6.8., 2.3.3.3., 2.3.4.5.
subsoil drainage, 2.4.5.3., 2.4.6.4.
underground, 2.3.4.6., 2.3.5.1.
vitrified clay, 2.2.5.4., 2.3.5.2.
water supply, 2.6., 2.7.
welded and seamless steel, 2.2.6.7.

Piping

construction and use of joints, 2.3.2.
CPVC design temperature and pressure, 2.2.5.9.
drainage, 2.6.1.2.
installation, 2.3.3.9., 2.3.5.3.
joints and connections, 2.3.3.
maximum pressure, 2.2.1.5.
nominally horizontal, 2.3.4.5., 2.3.4.6.
protection, 2.3.5.
service, 2.1.2.4.
support, 2.3.4.

testing in drainage and venting systems, 2.3.6.
testing in potable water systems, 2.3.7.
Plastic pipe and fittings, 2.2.5.10., 2.2.5.12.
Plumbing facilities, 1.1.1.1.[A]
Plumbing system, 1.4.1.2.[A]
Polyvinyl chloride (PVC) pipe and fittings, 2.2.5.8., 2.3.4.5.
Polyethylene/aluminum/polyethylene pipe and fittings, 2.2.5.13., 2.3.4.4., 2.3.4.5.
Polyethylene pipe and fittings, 2.3.4.5.
Polyethylene water pipe, 2.2.5.5.
Polypropylene pipe and fittings, 2.2.5.15., 2.3.4.5.
Potable, 1.4.1.2.[A]
Potable water systems
arrangement of piping, 2.6.1.
connections to potable and non-potable water systems, 2.1.2.3., 2.6.2.1., 2.7.1.1.
design, 2.6.1., 2.6.3.
developed length, 2.6.1.
drawings for plumbing permit, 2.2.2.1.[C]
fabrication, 2.6.1.
installation, 2.6.1.
protection from contamination, 2.6.2.
size and capacity of pipes, 2.6.3.
testing, 2.3.7.
Potato peelers, 2.4.3.3., 2.4.9.3.
Premise isolation, 2.6.2.6.
Pressure-reducing valves, 2.6.3.3.
Pressure-relief valves, 2.2.10.11., 2.6.1.7.
Private sewage disposal systems, 1.4.1.2.[A], 2.4.4.1.
Private use, 1.4.1.2.[A]
Private water supply system, 1.4.1.2.[A], 2.6.2.5.
Protection of piping, 2.3.5.
Public use, 1.4.1.2.[A]

R

Rainfall, 2.4.10.4.
Reducer fittings, 2.3.3.5.
Reducing valves, 2.2.10.12.
Referenced documents, 1.5.1.[A], 1.3.1.
Relief valves
discharge pipe, 2.6.1.7.
specifications, 2.2.10.11.
where required, 2.6.1.7.
Relief vents
connections, 2.5.6.4., 2.5.7.3.
definition, 1.4.1.2.[A]
minimum size, 2.5.7.3.
offset, 1.4.1.2.[A], 2.5.4.4., 2.5.4.5., 2.5.7.4., 2.5.8.5.
Restrictions on use, 2.2.5.11.
Risers
definition, 1.4.1.2.[A]
shut-off valves, 2.6.1.3.
Roof drains
connection to a leader, 2.3.3.7.
definition, 1.4.1.2.[A]
flow control, 2.4.10.4.
Roof gutters, 1.4.1.2.[A], 2.4.10.10.

Roofs, hydraulic load from, 2.4.10.4.
Rubber gasket joints, 2.2.6.4.

S

Saddle hubs or fittings, 2.2.10.5.
Sanitary building drains (see also Building drains)
 definition, 1.4.1.2.[A]
Sanitary building sewers (see also Building sewers)
 definition, 1.4.1.2.[A]
Sanitary drainage systems, 1.4.1.2.[A], 2.4.2.1., 2.4.4.1.,
 2.4.4.4., 2.4.7.1.
 connection, 2.1.2.1.
Sanitary sewers, 1.4.1.2.[A]
Sanitary T fittings, 2.2.4.2.
Scope of Code, 1.3.1.[A]
Screwed cast-iron water fittings, 2.2.6.5.
Screwed joints, 2.3.2.3.
Screwed malleable iron water fittings, 2.2.6.6.
Service piping, 2.1.2.4.
Service water heaters, 1.4.1.2.[A], 2.6.1.7.
Sewage treatment and disposal systems, 2.4.4.
Sewers (see Building sewers)
Sheet metal leaders, 2.2.6.9.
Showers, 2.2.2.3.
Shut-off valves, 2.4.6.3., 2.6.1.3.
Sinks, dishwashing and food preparation, 2.2.2.4.
Size
 definition, 1.4.1.2.[A]
Size of
 cleanouts, 2.4.7.2.
 drainage pipes, 2.4.9.
 fixture outlet pipes, 2.4.9.3.
 vent pipes, 2.5.7., 2.5.8.
 water service pipes, 2.6.3.4.
 water supply pipes, 2.6.3.
Slip joints, 2.3.3.4.
Slope of drainage pipes, 2.4.8.
Soil pipe, cast-iron, 2.2.6.1., 2.3.3.3., 2.3.4.5., 2.4.6.4.
Soil-or-waste pipes
 definition, 1.4.1.2.[A]
 drawings for plumbing permit, 2.2.2.1.[C]
 location, 2.4.6.2.
 size, 2.4.9.1.
Soil-or-waste stacks
 cleanouts, 2.4.7.1.
 definition, 1.4.1.2.[A]
 hydraulic load, 2.4.10.6.
 size, 2.4.9.2.
 vent pipes, 2.5.4.
 wet vents (as), 2.5.2.1.
Solar domestic hot water systems
 equipment, 2.2.10.13.
 installation, 2.6.1.8.
Solder-joint fittings, 2.2.7.5., 2.2.7.6.
Soldered joints, 2.3.2.4.
Stack venting, 2.5.4.1.
Stack vents
 definition, 1.4.1.2.[A]

 requirement, 2.5.4.1.
 size, 2.5.7.2., 2.5.8.4.
Stacks, hydraulic load, 2.4.10.6.
Steel pipe (welded and seamless), 2.2.6.7., 2.3.4.5.
Stop-and-waste cocks, 2.6.1.4.
Storage-type service water heaters, 1.4.1.2.[A], 2.6.1.7.
Storey, 1.4.1.2.[A]
Storm building drains (see also Building drains)
 definition, 1.4.1.2.[A]
Storm building sewers (see also Building sewers)
 definition, 1.4.1.2.[A]
Storm drainage systems
 cleanouts, 2.4.7.1.
 connection, 2.1.2.2., 2.4.2.1.
 definition, 1.4.1.2.[A]
 hydraulic load, 2.4.10.9.
 sizing, 2.4.10.
 sumps, 2.4.6.3.
 traps, 2.4.5.2.
Storm sewer, 1.4.1.2.[A]
Storm water, 1.4.1.2.[A]
Stubs, lead water closet, 2.3.3.8.
Subsoil drainage pipes
 connection, 2.4.6.4.
 definition, 1.4.1.2.[A]
Suite, 1.4.1.2.[A]
Sumps, 2.4.6.3.
 venting, 2.5.7.7.
Supply and waste fittings, 2.2.10.6.
Supports for piping, 2.3.4.
Symbols, 1.4.2.1.[A]

T

T fittings, 2.2.4.1.
Tanks, 2.4.6.3.
Temperature limit controls, 2.6.1.7.
Temperature-relief valves
 specifications, 2.2.10.11.
 where required, 2.6.1.7.
Terminals, vent pipe, 2.5.6.5.
Testing
 drainage and venting systems, 2.3.6.
 potable water systems, 2.3.7.
Thermal expansion, 2.6.1.11.
Threaded cast-iron drainage fittings, 2.2.6.3.
Transition solvent cement
 restrictions on use, 2.2.5.11.
 standards, 2.2.5.11.
Trap arms, 1.4.1.2.[A], 2.5.2.1., 2.5.6.3.
Trap dips, 1.4.1.2.[A]
Trap seal depth, 1.4.1.2.[A], 2.2.3.1.
Trap seals
 maintaining, 2.4.5.5.
 size, 2.2.3.1.
Trap standards
 definition, 1.4.1.2.[A]
 installation, 2.3.3.8.
Trap weirs, 1.4.1.2.[A]

Traps, 2.2.3.
bell, 2.2.3.1.
cleanouts, 2.2.3.1., 2.4.5.4., 2.4.7.1.
connections, 2.2.3.1.
definition, 1.4.1.2.[A]
design, 2.2.3.1.
drawings for plumbing permit, 2.2.2.1.[C]
drum, 2.2.3.1.
fixtures (for), 2.4.5.1.
interceptors used as, 2.4.5.1.
leaders (for), 2.4.5.2.
location, 2.4.5.4.
restricted locations, 2.4.3.2.
sanitary drainage systems (for), 2.4.4.4., 2.4.5.1.
storm drainage systems (for), 2.4.5.2.
subsoil drains (for), 2.4.5.3.
seals, 2.4.5.5.
tubular, 2.2.3.3.
venting, 2.5.1., 2.5.6.3.
Treatment of sewage and wastes, 2.4.4.
Trenchless technology, 2.2.5.6.
Tube, copper, 2.2.7.4., 2.3.3.2., 2.3.3.10.

U

Underground pipes
protection, 2.3.5.1., 2.3.5.2.
support, 2.3.4.6.
Unions, 2.3.3.4., 2.4.6.3.
Unions and slip joints, 2.3.3.4.
Urinals
installation, 2.4.3.1.
Used materials and equipment, 2.2.1.2.

V

Vacuum breakers (see also Back-siphonage preventers)
definition, 1.4.1.2.[A]
Valves
backwater, 1.4.1.2.[A], 2.4.6.4.
check, 1.4.1.2.[A], 2.4.2.1., 2.4.6.3.
direct flush, 2.2.10.8.
gate, 2.4.6.4.
pressure-reducing, 2.6.3.3.
pressure-relief, 2.2.10.11., 2.6.1.7.
shut-off, 2.4.6.3.
tank-type water closet, 2.6.2.11.
temperature-relief, 2.2.10.11., 2.6.1.7.
vacuum-relief, 2.2.10.11., 2.6.1.7.
Vent headers, 1.4.1.2.[A], 2.5.1.1., 2.5.8.3.
Vent pipes
arrangement, 2.5.6.
connections, 2.5.6.2.
definition, 1.4.1.2.[A]
drainage, 2.5.6.1.
drawings for plumbing permit, 2.2.2.1.[C]
flashing, 2.2.10.14.
location, 2.5.6.3.

minimum size, 2.5.7.
miscellaneous, 2.5.5.
not required, 2.5.1.1.
sizing, 2.5.8.
soil-or-waste stacks (for), 2.5.4.
support above roof, 2.3.4.7.
terminals, 2.5.6.5.
traps (for), 2.5.1.

Vent stacks
definition, 1.4.1.2.[A]
sizing, 2.5.7.2., 2.5.8.4.
where required, 2.5.4.2.
Ventilation of rooms, 2.1.3.1.

Venting
circuit, 2.5.3.
corrosive drain piping, 2.5.5.3.
dilution tanks, 2.5.5.3.
floor drains, 2.5.1.1.
oil interceptors, 2.5.5.2.
sewage sumps, 2.5.5.1.
stack, 2.5.4.1.
systems, testing, 2.3.6.
wet, 2.5.2.

Venting systems, 1.4.1.2.[A]

Vents

additional circuit, 1.4.1.2.[A], 2.5.1.1., 2.5.3.1., 2.5.4.5., 2.5.7.3., 2.5.8.5.
branch, 1.4.1.2.[A], 2.5.1.1., 2.5.7.2., 2.5.8.3.
circuit, 1.4.1.2.[A], 2.5.1.1., 2.5.3.1., 2.5.4.5., 2.5.7.3., 2.5.8.3.
continuous, 1.4.1.2.[A], 2.5.1.1., 2.5.2.1., 2.5.8.3.
dual, 1.4.1.2.[A], 2.5.1.1., 2.5.8.2.
headers, 1.4.1.2.[A], 2.5.1.1., 2.5.7.2., 2.5.8.3.
individual, 2.5.1.1., 2.5.8.2., 2.5.9.1.
manholes (for), 2.5.7.6.
offset relief, 1.4.1.2.[A], 2.5.1.1., 2.5.4.4., 2.5.4.5., 2.5.7.4., 2.5.8.5.
relief, 1.4.1.2.[A], 2.5.1.1., 2.5.3.1., 2.5.4.4., 2.5.7.3.
stack, 1.4.1.2.[A], 2.5.1.1., 2.5.4.1., 2.5.7.2., 2.5.7.4., 2.5.8.3., 2.5.8.4.
traps (for), 2.5.1.
yoke, 1.4.1.2.[A], 2.5.1.1., 2.5.4.3., 2.5.4.5., 2.5.7.5., 2.5.8.5.

Vertical piping support, 2.3.4.4.

Vitrified clay pipe and fittings, 2.2.5.4., 2.3.5.2.

W

Waste, cooling, 2.4.4.2.
Waste pipe, lead, 2.2.7.8., 2.3.4.5.
Waste pipes (see Soil-or-waste pipes)
Water closet bowls, installation, 2.3.4.1.
Water closet seats, 2.2.2.5.
Water closets, installation, 2.2.10.2., 2.6.2.11.
Water distribution systems, 1.4.1.2.[A], 2.1.2.3.
Water hammer, prevention, 2.6.1.9.
Water heaters
indirect service, 2.6.1.7.
storage type, 2.6.1.7.

Water pipes
 asbestos-cement, 2.2.5.2.
 CPVC, 2.2.5.9.
 polyethylene, 2.2.5.5.
 PVC, 2.2.5.8.
 size and capacity, 2.6.3.
Water pressure tests, 2.3.6.1. - 2.3.6.4., 2.3.7.1. - 2.3.7.3.
Water service pipes
 definition, 1.4.1.2.[A]
 mobile home, 2.6.1.10.
 sizing, 2.6.3.4.
Water supply for fixtures, 2.6.3.1.
Water systems
 definition, 1.4.1.2.[A]
Water treatment device, 2.6.2.1.
Welded and seamless steel pipe, 2.2.6.7.
Welded joints, 2.3.3.3.
Wet vents
 definition, 1.4.1.2.[A]
Wet venting, 2.5.2., 2.5.3., 2.5.8.1.
Wiped joints, 2.3.2.2.

Symbols and Abbreviations

The following symbols and abbreviations are used in the figures:

Water and drainage pipe _____

Subsoil drains _ _ _ _ _

Vent pipe _ _ _ _ _

BG	Bathroom group	KS	Kitchen sink
BT	Bathtub	LAV	Lavatory
CO	Cleanout	LT	Laundry tray
DF	Drinking fountain	RD	Roof drain
FD	Floor drain	SS	Slop sink
FS	Floor sink	UR	Urinals
		WC	Water closet

Conversion Factors

To Convert	To	Multiply by
°C	°F	1.8 and add 32
kg	lb.	2.205
kg/m ³	lbf/ft. ³	0.06243
kN	lb.	224.81
kN/m	lbf/ft.	68.52
kN/m ³	lbf/ft. ³	6.360
kPa	lbf/in. ² (psi)	0.1450
kPa	lbf/ft. ²	20.88
L	gal. (imp.)	0.2200
m	ft.	3.281
m ²	ft. ²	10.76
mm	in.	0.03937
m/s ²	ft./s ²	3.281